

 **Primodan** - When flexibility is your priority

PRIMA

TECHNICAL
SPECIFICATION

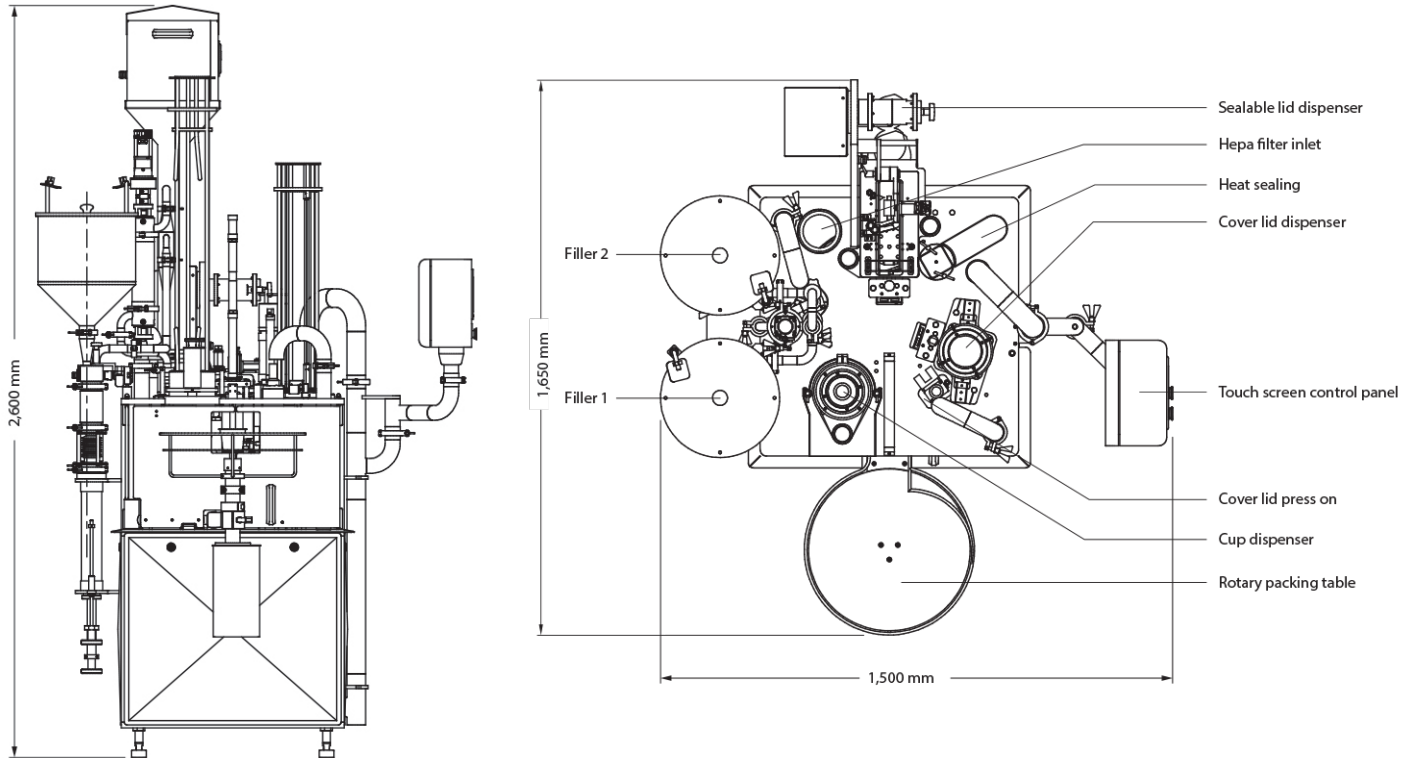


Rotary filling and sealing machine

PRIMA

CUP FILLING AND SEALING MACHINE

TECHNICAL DRAWING



TECHNICAL SPECIFICATION

Capacity:.....Up to 3,000 units/hour
 Maximum cup diameter:.....125mm
 Pneumatic requirement:.....Minimum 6 bar
 Electrical consumption:.....1.5 kW
 Materials:.....Stainless steel /.. ionized aluminium
 CE certificate / EU norm



OPTIONS

Infeed conveyor for bottles
 Cup buffer – 20 min.
 Filling system – piston, flow or dry food filler
 CIP cleaning of filler
 Sealable lids – alu die cut or Primoreels system

MACHINE SPECIFICATION

Cup dispenser
 Filling
 Sealable lid
 Heat sealing
 Snap on lid dispenser
 UP / OUT
 Rotary packing table

Snap on lid buffer – 20 min.
 Laminar flow cabinet
 MAP (Modified Atmosphere Packaging) by inert gas injection into the headspace