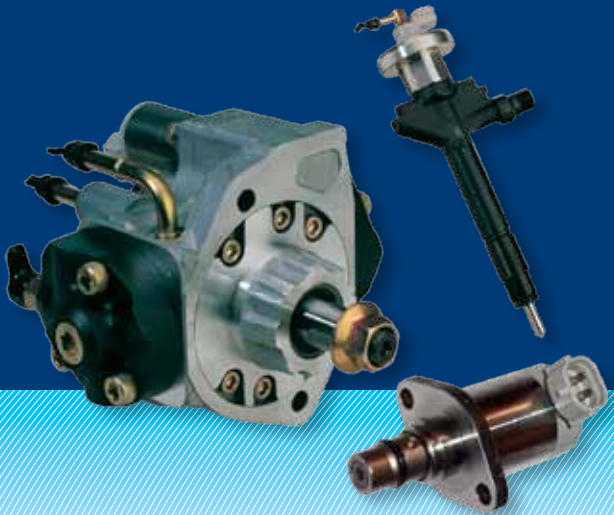


*DENSO*

# Diesel Components



Driven by  
**Quality**

# Diesel Components

Driving the Aftermarket



Unique choice, quality and performance are only some of the benefits of choosing DENSO Aftermarket for your replacement diesel parts.

With DENSO Corporation renowned as the third largest common rail diesel player in the world, our aftermarket ranges also benefit from an unrivalled original equipment heritage. DENSO has made decades of extensive R&D investment, often in partnership with major car makers, to pioneer increasingly efficient, powerful and reliable diesel engines with minimal emissions. For example, we introduced the world's first 1800-bar common rail fuel system with Piezo Injectors, and the world's highest common rail injection pressure of 2,500 bar, helping to increase fuel efficiency by up to 3 percent.

So when you offer DENSO Diesel Components, you can be sure of providing the very best parts to your customers – that can be trusted to meet the needs of today's extensive, demanding diesel car market.



# Why DENSO? | The best in the aftermarket

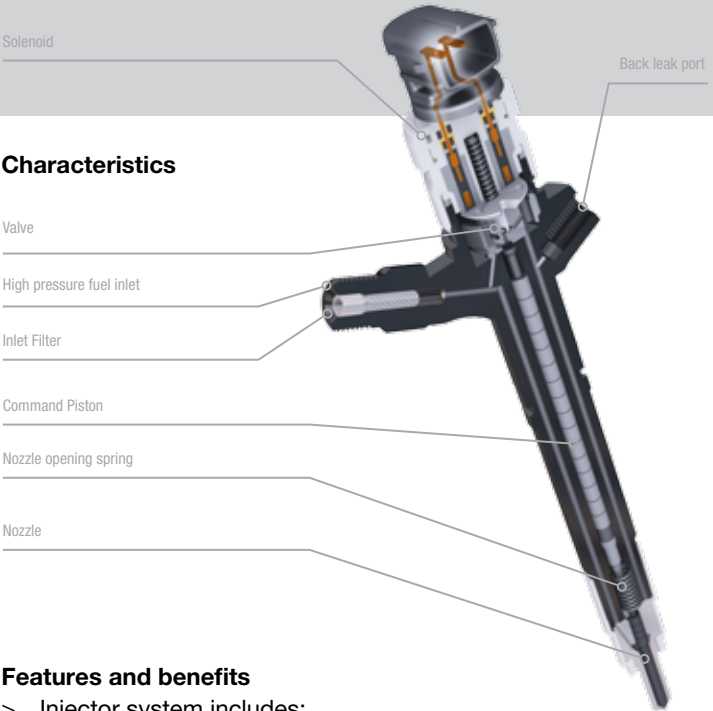
You can trust our OE quality, replacement Diesel parts to deliver quality and exceptional technical performance.

- > Cutting edge technology, replacement Diesel Fuel Injectors, Diesel Fuel Injection Pumps and Suction Control Valves
- > All OE quality components, that meet vehicle manufacturers' specifications
- > Units that are unique to the aftermarket, not available from competitors
- > Continually expanding ranges offering substantial parc coverage
- > Very low warranty ratios reduce administration and ensure complete customer satisfaction
- > Easy to use part numbering system



# Injectors | Leading-edge design

DENSO's advanced, common rail Diesel Fuel Injectors are the reliable, powerful solution to providing Diesel engines with the precise amount of fuel, at exactly the right time, and in the ideal condition for efficient combustion.



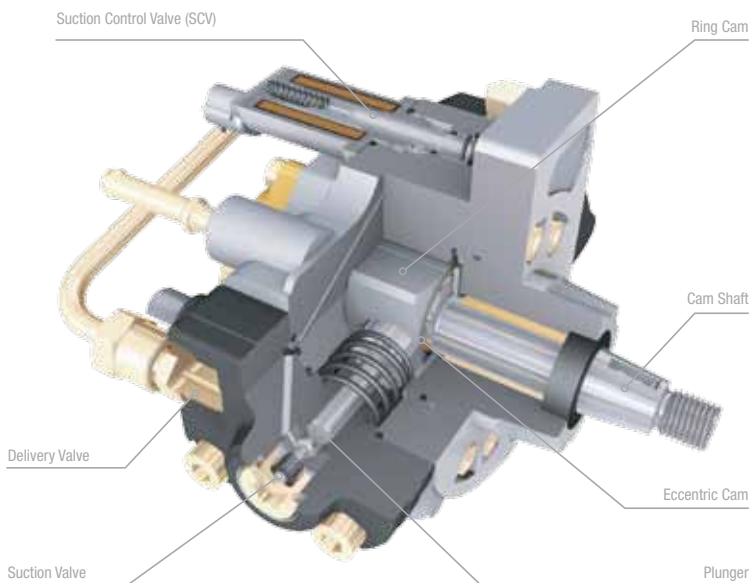
### Features and benefits

- > Injector system includes:
  - Fuel injection pump - pressurises fuel to high pressure
  - High-pressure pipe - sends fuel to the injector
  - Injector - injects the fuel into the cylinder
  - Feed pump (inside fuel injection pump) - sucks fuel from the fuel tank
- > Advanced design precisely pressurises and injects the fuel, forcing it into air that has been compressed to high pressure in the combustion chamber for optimum efficiency
- > Full range of injector types available
- > Wide selection of part numbers, covering many OE part numbers and hundreds of applications
- > Applications include Toyota, Mazda, Mitsubishi, Subaru, Nissan, Opel/Vauxhall, Ford

# Pumps | Superior performance

With all units unique in the aftermarket, DENSO's common rail Diesel Fuel Injection Pumps (supply pumps) ensure that consistently high-pressure fuel is produced, for distribution to each injector via the common rail.

## Characteristics



## Features and benefits

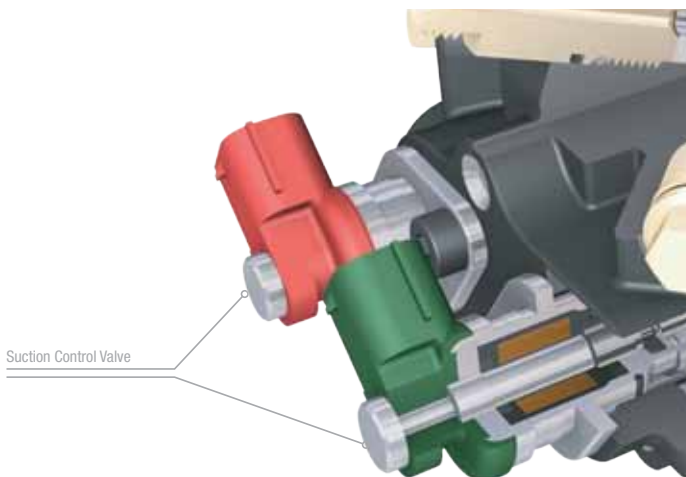
- > High-pressure fuel produced by the supply pump is distributed to the injector located on each cylinder of the diesel engine, via the common rail.
- > HP2, HP3 and HP4 pump types available
- > All units are unique within the aftermarket, as no competitor components available
- > Wide selection of part numbers, covering many OE part numbers and hundreds of applications
- > Applications include Toyota, Mazda, Mitsubishi, Subaru, Nissan, Opel/Vauxhall, Ford

# Suction Control Valves

## Maximum durability

Vital to maintaining vehicle emission and power, DENSO's cutting edge, replacement Suction Control Valves offer the optimum solution for consistently controlling the fuel pressure in common rail engines.

## Characteristics



## Features and benefits

- > Suction Control Valves maintain consistent fuel pressure in common rail diesel engines, helping to maintain power, consistent performance and ease of starting
- > HP2, HP3 and HP4 valve types available
- > Growing selection of part numbers, covering wide range of key applications
- > Applications include Toyota, Mazda, Mitsubishi, Nissan, Opel/Vauxhall and Ford



## Overview | Original Diesel experts

DENSO is a long-standing pioneer of world-leading automotive diesel technologies. It has driven OE diesel innovation for decades and today offers independent aftermarket customers an outstanding selection of replacement diesel components.

Every unit in our continually expanding diesel parts ranges is OE quality and unique within the aftermarket, providing wholesalers, distributors and workshops with invaluable access to advanced, original DENSO technologies, as well as guaranteed quality.

With unrivalled reliability and extremely low warranty ratios, DENSO's Diesel Components programme has become synonymous with unparalleled performance. From common rail Diesel Injectors and Diesel Pumps to Suction Control Valves, every part reflects our decades of experience within the Diesel market.

DENSO EUROPE B.V.  
Hogeweyselaan 165  
1382 JL Weesp  
The Netherlands

[www.denso-am.eu](http://www.denso-am.eu)