

TECHNICAL SPECIFICATIONS BOTH AXIS	BlueLEVEL-2D	
Sensitivity	1 µm/m 0.2 arcsec	5 µm/m 1 arcsec
Measuring range	±20 mm/m	±100 mm/m
Limits of error (DIN 2276/2)	$M_W \leq 0.5 M_E$ max. 1% M_W / min. 1 digit	
	$M_W > 0.5 M_E$ max. 0.01 (2 M_W - 0.5 M_E)	
Temperature error / °C (Ø 10 °C) (DIN 2276/2)	$M_W \leq 0.1 M_E$ max. 2 µm/m	max. 10 µm/m
	$M_W > 0.1 M_E$ max. 20 µm/m	max. 100 µm/m
Response time (DIN 2276/2)	< 5 sec	
Digital output	RS232 / RS485, asynchronous, 7 DataBits, 2 StopBits, no parity, 9600 bps	
Internal powering Optional	2 x Alkaline 1,5 V / Size C Batteries 2 x NiMH 1,2 V / Size C rechargeable Accumulators	
External power supply	+ 5 V DC (USB) 24 V DC	
Operating temperature	0 ... + 40 °C	
Storage temperature (DIN 2276/2)	- 30 ... + 70 °C	
Net weight, including batteries (BlueLEVEL-2D without measuring base)	1600 g	
Dimension housing L x W x H	127 mm x 110 mm x 56 mm	
Radio frequency range (Bluetooth®)	2,4000 ... 2,4835 GHz (ISM Band)	
CE-conformity	This device conforms to the most stringent requirements of the relevant standards and regulations	
Legend:	M_E = full-scale M_W = measured value	



BlueLEVEL-2D

IN ITS HIGHEST PRECISION



FEEL DIMENSIONS



wyler@wylerag.com



Videos WYLER AG
Quality - Innovation - Service



Facebook Channel WYLER AG
www.facebook.com/wylerSWISS

WYLER AG
INCLINATION MEASURING SYSTEMS

NEIGUNGSMESSSYSTEME

Im Hölzli 13,
Tel. +41 (0) 52 233 66 66
E-Mail: wyler@wylerag.com

CH - 8405 WINTERTHUR (Switzerland)
Fax +41 (0) 52 233 20 53
Web: www.wylerag.com



Version 2014.1

Think simple 2D

Pure speed in 2D



BlueLEVEL-2D

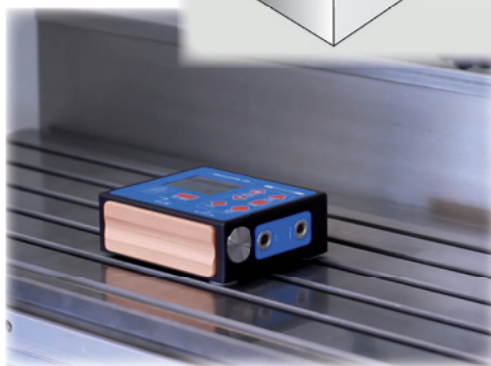
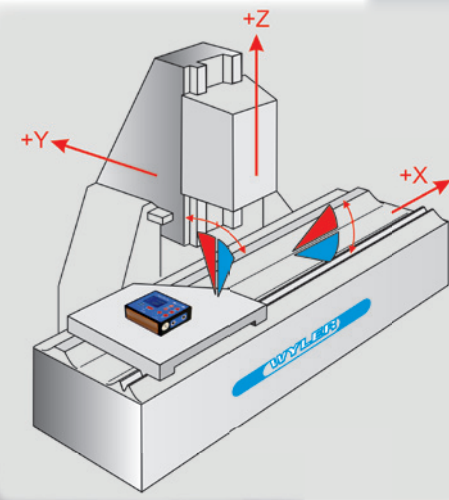
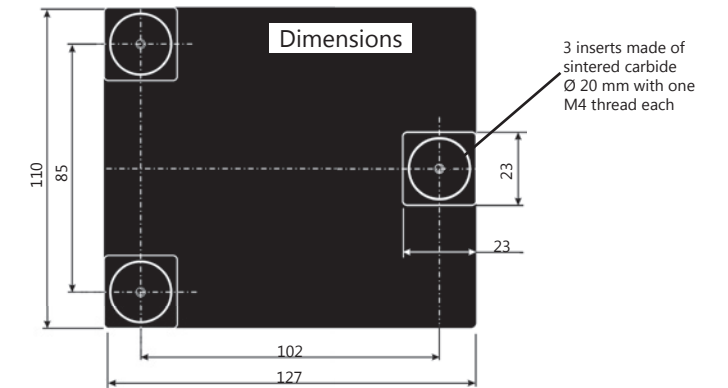
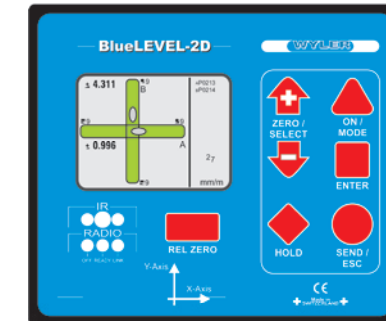
The BlueLEVEL-2D combines for the first time two high-precision inclination sensors in a compact housing together with an integrated graphical display!

The BlueLEVEL-2D facilitates the alignment of machines and tools substantially and opens new applications:

- Alignment of machines in 2 directions simultaneously
- Alignment of reference plates
- Pitch and roll measurement on machines
- Monitoring of cranes, containers, trucks etc.

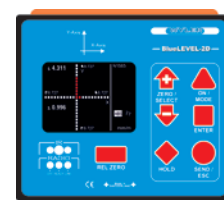
Features:

- Rugged, rust-protected housing made of aluminum
- High precision base with three inserts made of sintered metal
- All current units can be indicated
- The instrument is compatible with the full range of WYLER digital sensors
- The internal software allows a simple zero setting, together with a reversal measurement



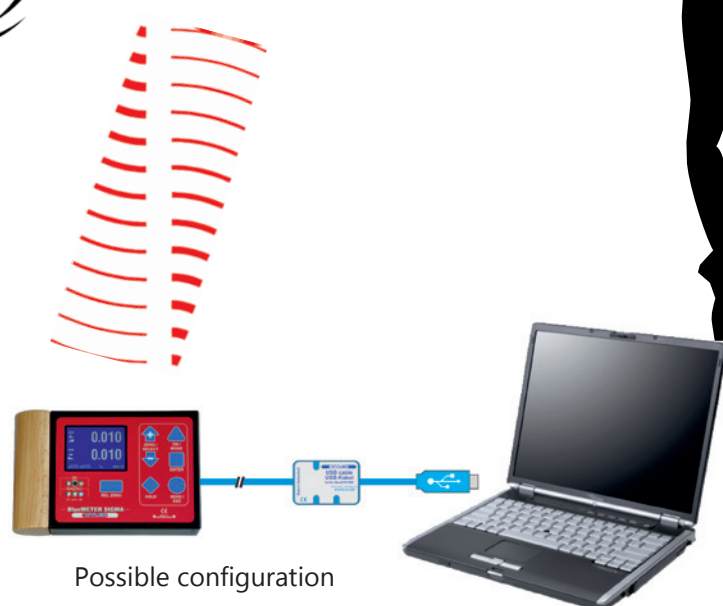
Compact tool case

The perfect tool for service engineers



Options:

- External power supply 24V
- Wireless communication, based on Bluetooth® technology
- Connection to a PC
- Software to collect measuring data: MT SOFT, DYNAM II
- Screw-on base on request



Possible configuration

Graphical display

The display shows graphically in 2D the position of an object in space, respectively the change of its position and makes the information easily understandable.

