

82L-3E

Enclosed Pneumatic Power Clamps | Lightweight Modular | Ordering Information

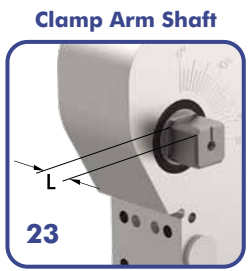
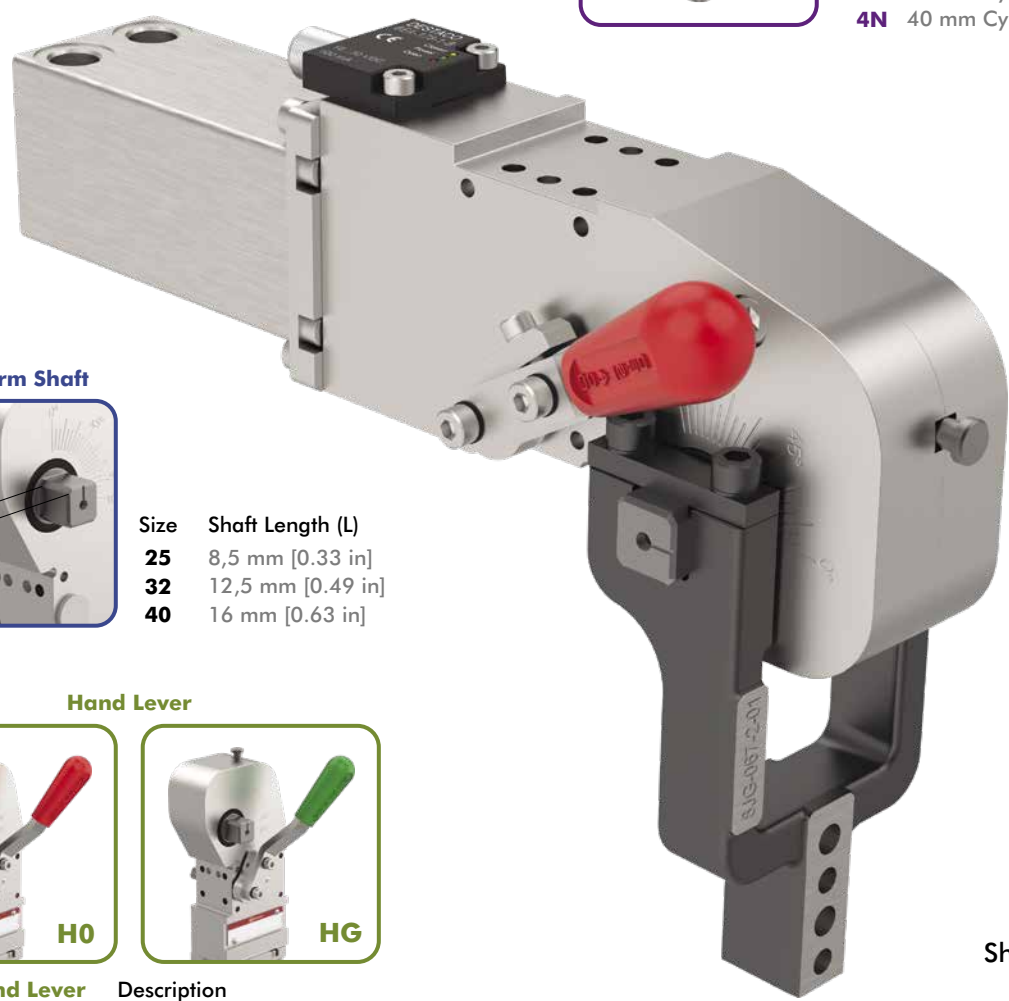
82L-3E **23** **H0** **40** **B7**

Clamp Arm Shaft Description
23 for Arms
 See below for further details

Hand Lever Description
00 No Hand lever
H0 Red Hand lever
HG Green Hand lever
 See below for further details



Cylinder (Standard)
25 25 mm Cylinder (G1/8 Port)
2N 25 mm Cylinder (1/8-18 NPT Port)
32 32 mm Cylinder (G1/8 Port)
3N 32 mm Cylinder (1/8-18 NPT Port)
40 40 mm Cylinder (G1/4 Port)
4N 40 mm Cylinder (1/4-18 NPT Port)



Clamp Arm Shaft
 Size Shaft Length (L)
25 8,5 mm [0.33 in]
32 12,5 mm [0.49 in]
40 16 mm [0.63 in]



Hand Lever Description
00 No Hand Lever
H0 Red Hand Lever
HG Green Hand Lever

Shown with U-Arm
 8JG-067-2-01
 (order separately)

Enclosed Pneumatic Power Clamps | Lightweight Modular | Ordering Information

Sensor	Description
00	Without Sensing System
C8	Inductive Sensing System with In-Line M8x1 Connector (Size 25: 8EA-174-1-B, Size 32/40: 8EA-177-1-B)
B7	Inductive Sensing System with In-Line M12x1 Connector (Size 25: 8EA-175-1-B, Size 32/40: 8EA-178-1-B)
B8	Inductive Sensing System with M12x1 Connector with Cable (Size 25: 8EA-176-1-B, Size 32/40: 8EA-179-1-B)



C8



B7



B8



25/N

Max Holding Torque
75 Nm [55 ft-lb]
Max Clamping Torque
25 Nm [18 ft-lb]
at 5 bar [72 psi]

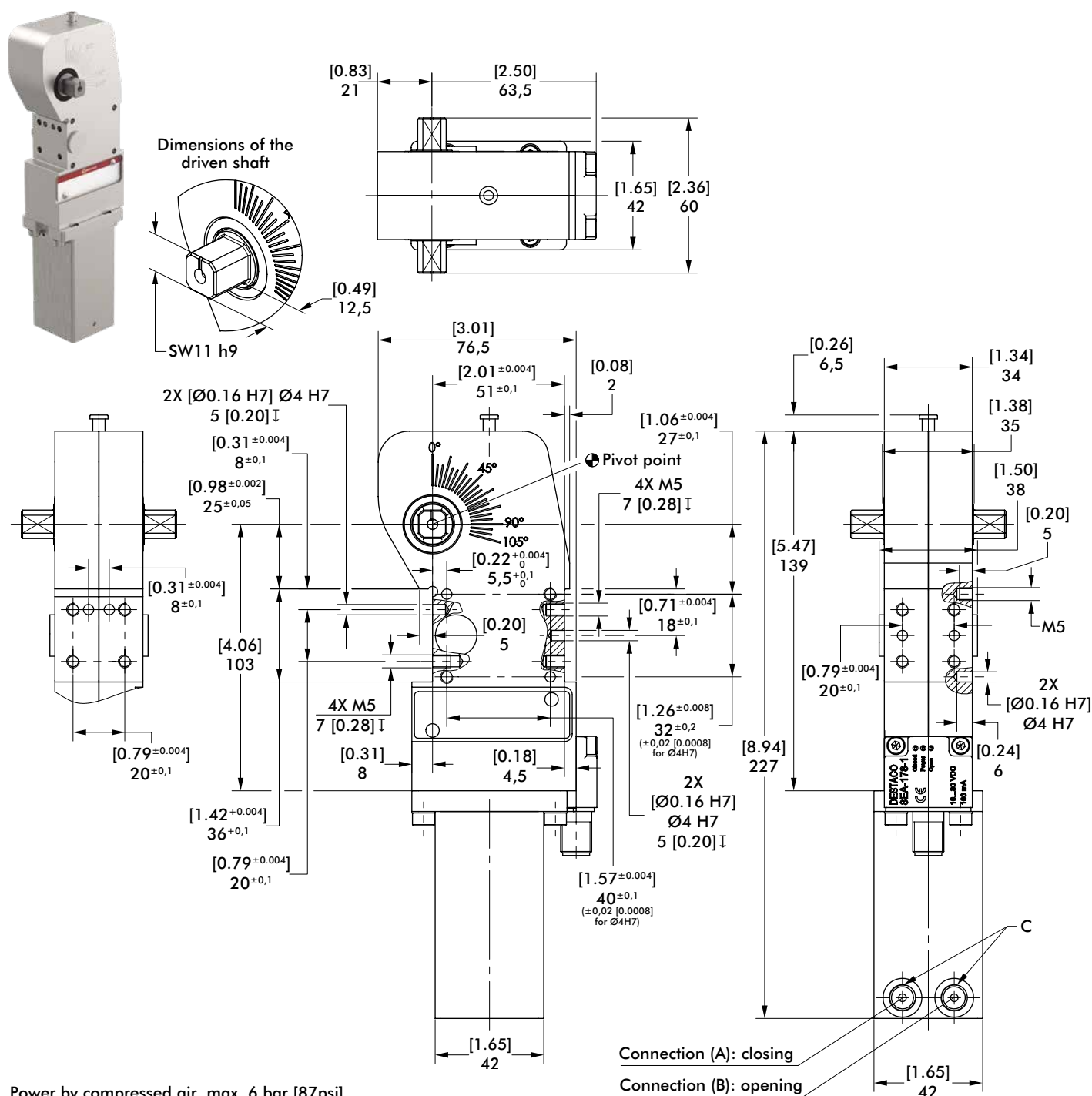
32/N

Max Holding Torque
180 Nm [133 ft-lb]
Max Clamping Torque
55 Nm [41 ft-lb]
at 5 bar [72 psi]

40/N

Max Holding Torque
380 Nm [280 ft-lb]
Max Clamping Torque
120 Nm [89 ft-lb]
at 5 bar [72 psi]

Enclosed Pneumatic Power Clamps | Lightweight Modular | Dimensions and Technical Specifications



Power by compressed air, max. 6 bar [87psi].

Operation with oil-free air is permissible.

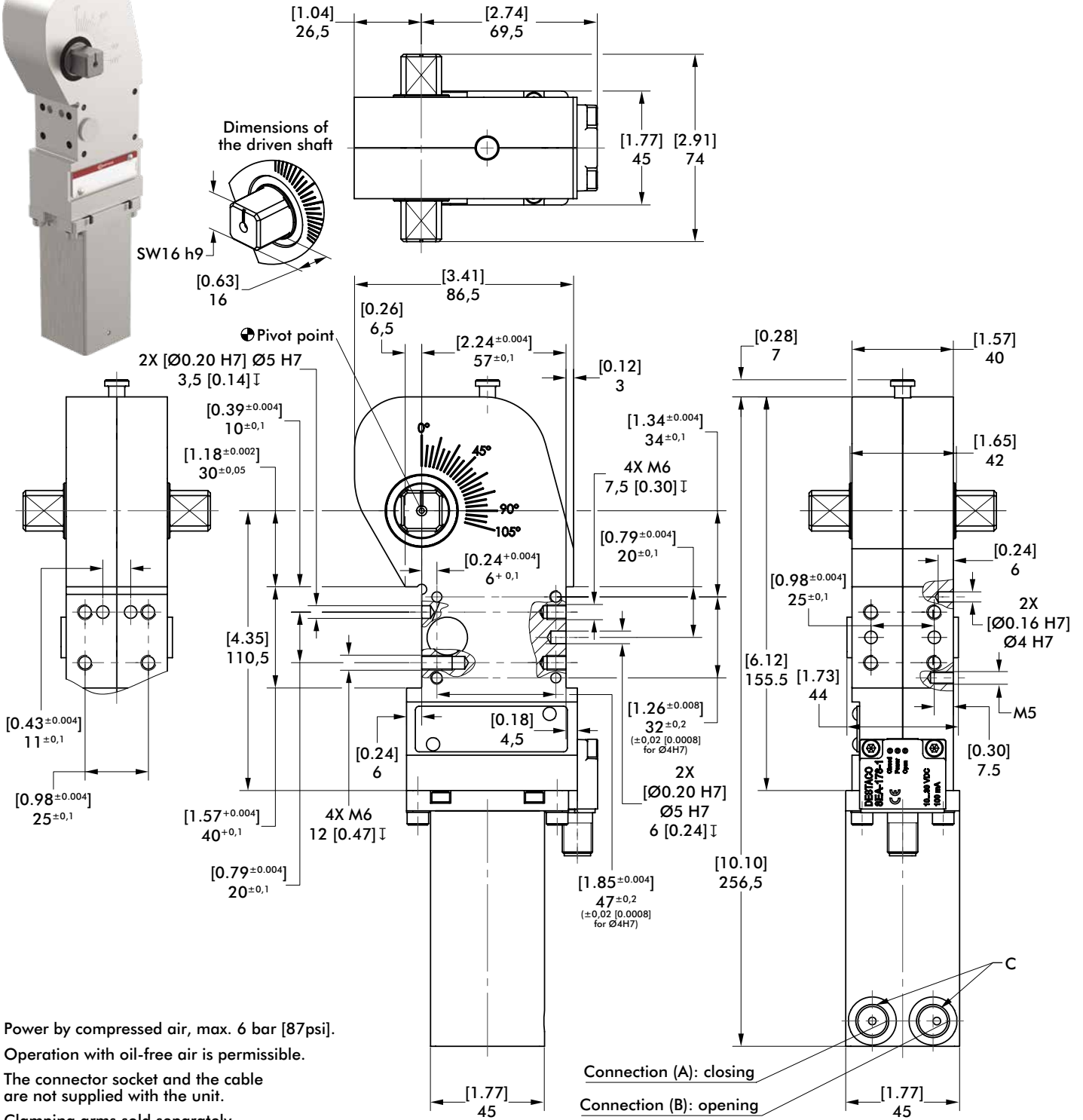
The connector socket and the cable are not supplied with the unit.

Clamping arms sold separately.

Model	Max. Holding Torque Nm [ft-lb]	Clamping Torque at 5 bar [72 psi] Nm [ft-lb]	Piston Ø mm	Weight kg [lbs]	Air consumption per double stroke at 5 bar [72 psi] dm^3 [ft ³]	Connection C
82L-3E230032..	[133]	[41]	32	[2.43]	[0.03]	G1/8
82L-3E23003N..	180	55		1,1	0,8	1/8-18 NPT

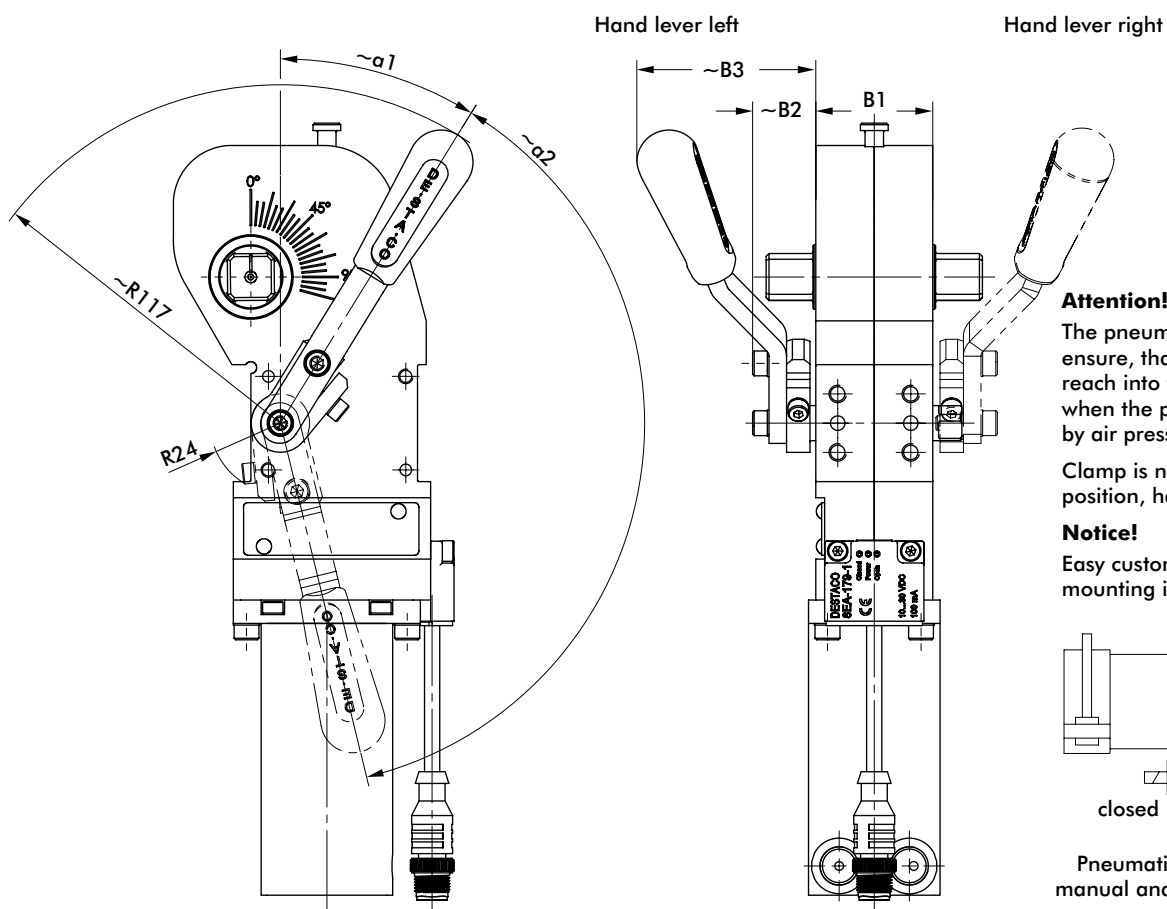
82L-3E

Enclosed Pneumatic Power Clamps | Lightweight Modular | Dimensions and Technical Specifications



Power by compressed air, max. 6 bar [87psi].
Operation with oil-free air is permissible.
The connector socket and the cable are not supplied with the unit.
Clamping arms sold separately.

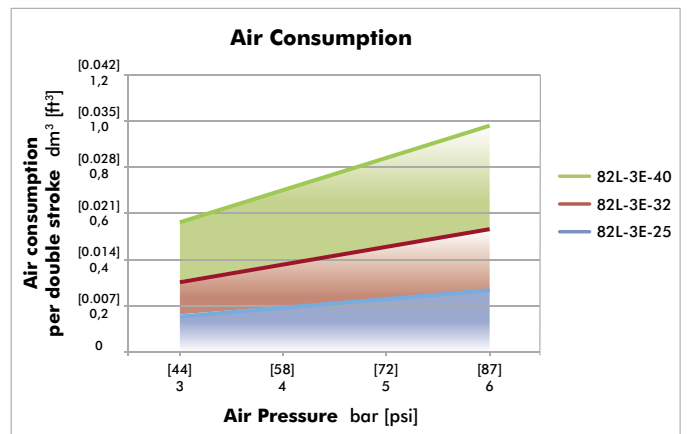
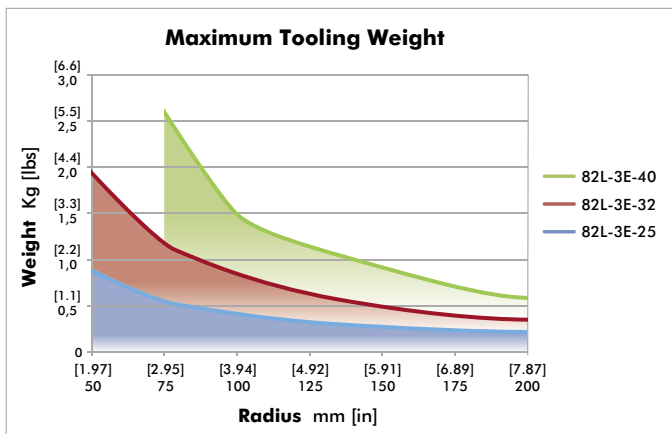
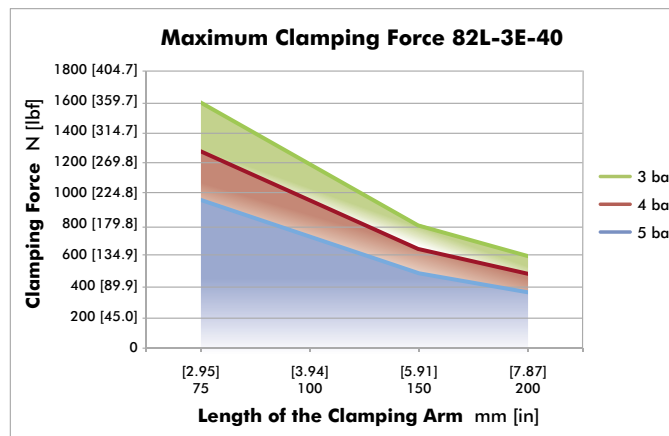
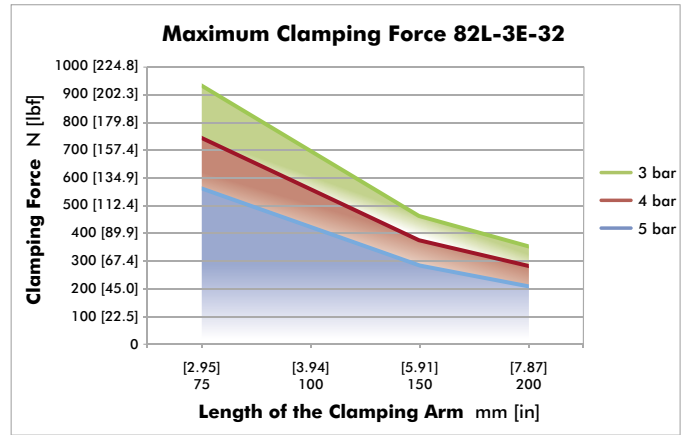
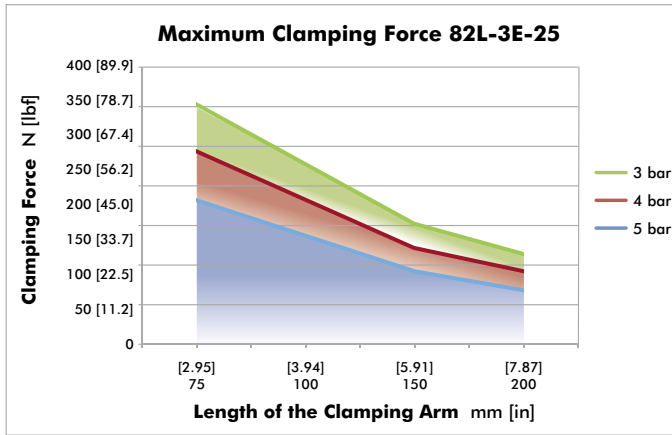
Model	Max. Holding Torque Nm [ft-lb]	Clamping Torque at 5 bar [72 psi] Nm [ft-lb]	Piston Ø mm	Weight kg [lbs]	Air consumption per double stroke at 5 bar [72 psi] dm³ [ft³]	Connection C
82L-3E230040..	[280] 380	[89] 120	40	[3.53] 1,6	[0.04] 1,2	G1/4
82L-3E23004N..						1/4-18 NPT



Model No.	Weight Kg [lbs]	Swivel Angle ~a2 (with reference to opening angle of clamp arm)										
		B1	~B2	~B3	~a1	15°	30°	45°	60°	75°	90°	105°
82L-3E23H.2...	0,8 [1.76]	[1.34]	[0.85] 21,5	[2.40] 61	32°	39°	52°	64°	76°	90°	109°	130°
82L-3E23H.3...	1,3 [2.87]	34	[0.87] 22	[2.44] 62	31°	39°	52°	62°	74°	87°	103°	124°
82L-3E23H.4...	1,8 [3.97]	[1.57] 40	[0.87] 22	[2.44] 62	32°	47°	60°	71°	83°	97°	114°	135°

82L-3E

Enclosed Pneumatic Power Clamps | Lightweight Modular | Technical Specifications

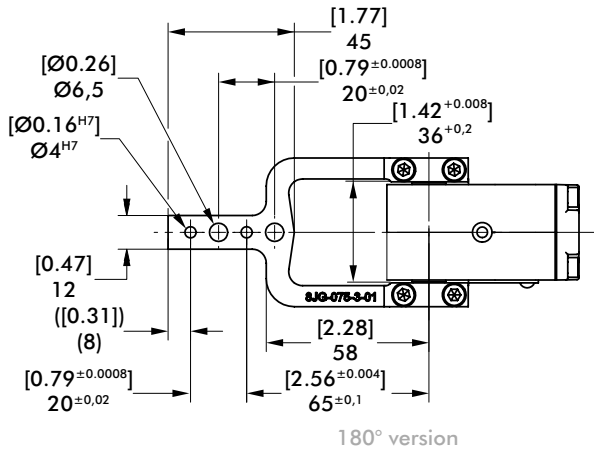


All data refers to a pneumatic pressure of 6 bar [87 psi] and to an opening or closing time of 1 second, as well as to the center of gravity of the complete construction directly attached to the clamp arm related to the fixed fulcrum.

82L-3E U-ARMS CENTER (STEEL)

Enclosed Pneumatic Power Clamps | Lightweight Modular | Dimensions and Technical Specifications

For Size 25mm



90°

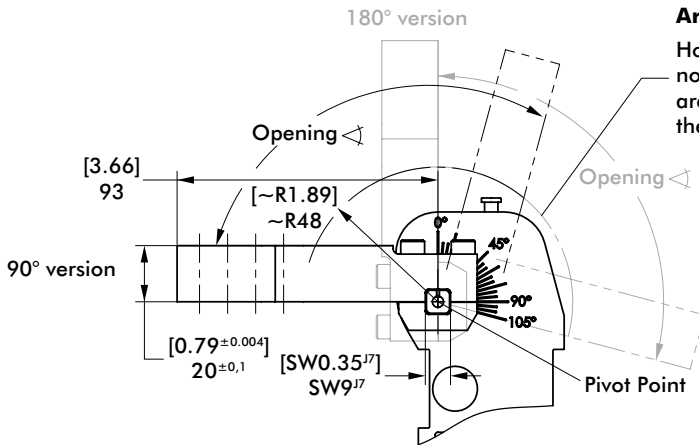


180°

8JG-075-3-01

Area of interference

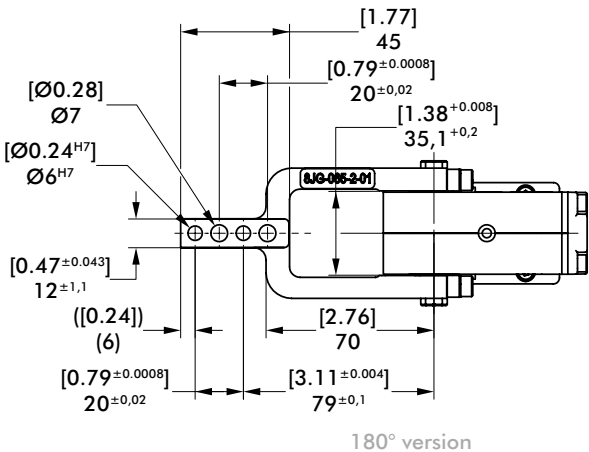
Hold-down piece must not protrude in the interior area "R48 [R1.89]" due to the area of interference.



Clamp arm sets consists of clamp arm, links and screws.

Arm Model No.	Max. Opening 90° Version	Max. Opening 180° Version	Weight kg [lbs]
8JG-075-3-01	105°	105°	[0.66] 0,3

For Size 32mm

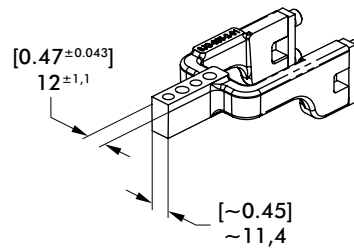


90°



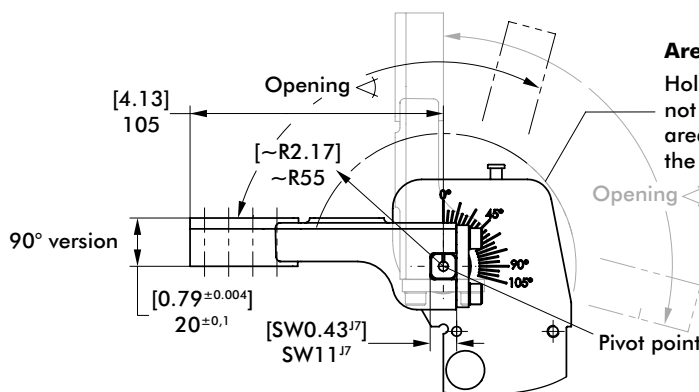
180°

8JG-065-2-01



Area of interference

Hold-down piece must not protrude in the interior area "R55 [R2.17]" due to the area of interference.



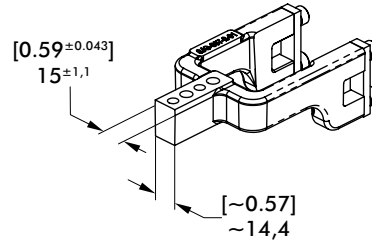
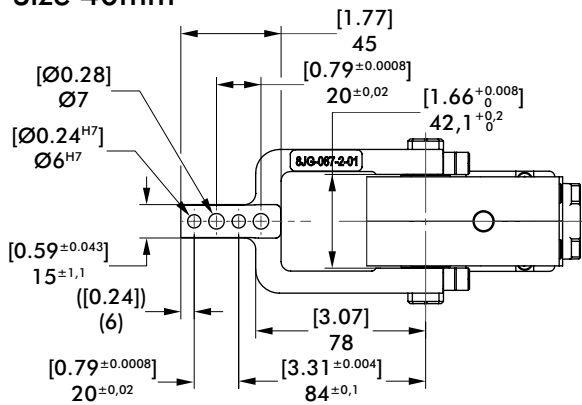
Clamp arm sets consists of clamp arm, links and screws.

Arm Model No.	Max. Opening 90° Version	Max. Opening 180° Version	Weight kg [lbs]
8JG-065-2-01	105°	105°	[0.82] 0,37

82L-3E U-ARMS CENTER (STEEL)

Enclosed Pneumatic Power Clamps | Lightweight Modular | Dimensions and Technical Specifications

For Size 40mm

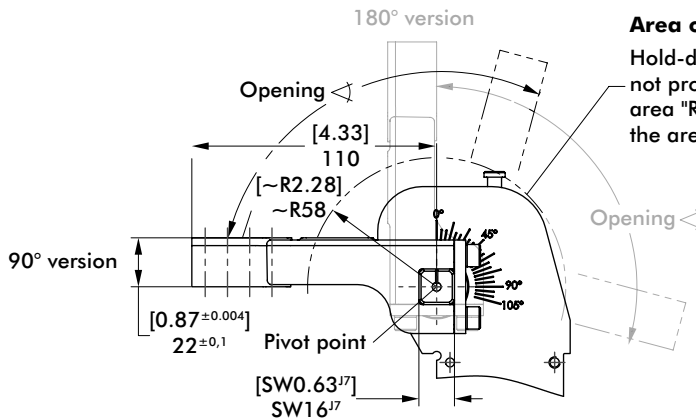


90°



180°

8JG-067-2-01



Area of interference

Hold-down piece must not protrude in the interior area "R58 [R2.28]" due to the area of interference.

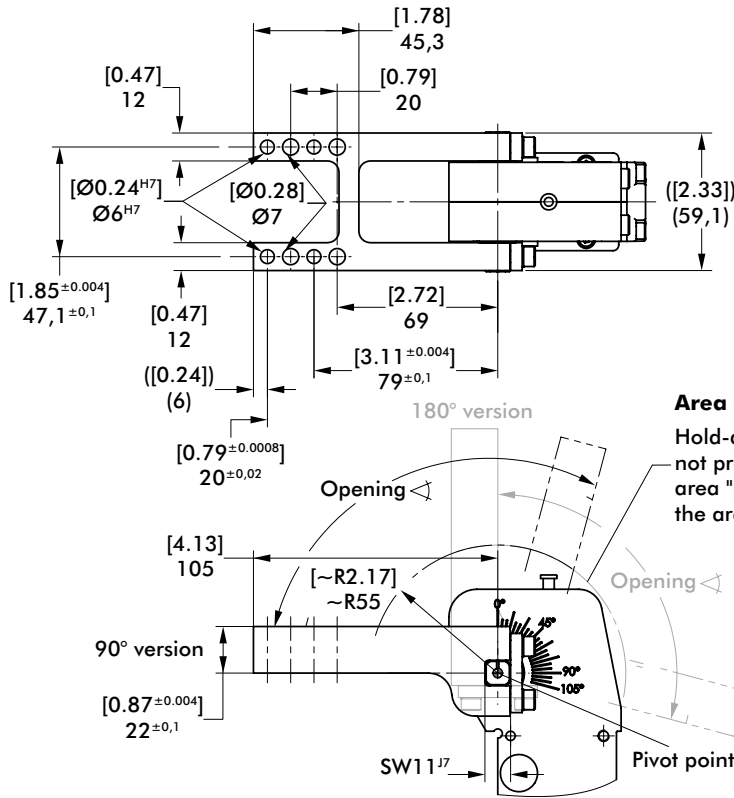
Clamp arm sets consists of clamp arm, links and screws.

Arm Model No.	Max. Opening 90° Version	Max. Opening 180° Version	Weight kg [lbs]
8JG-067-2-01	105°	105°	[1.10] 0,5

82L-3E H-ARMS (STEEL)

Enclosed Pneumatic Power Clamps | Lightweight Modular | Dimensions and Technical Specifications

For Size 32mm

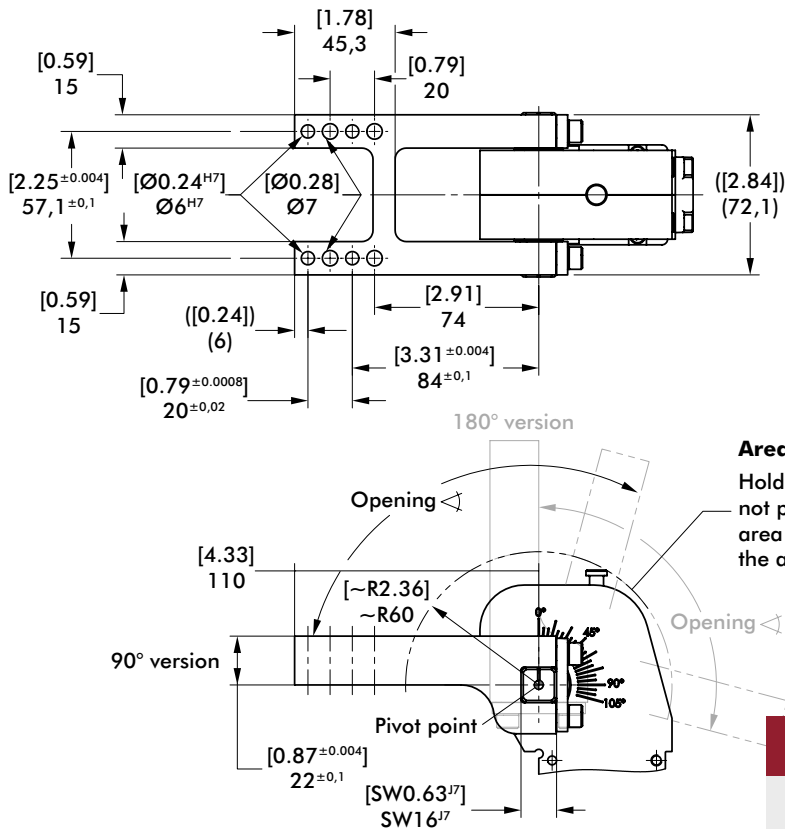


8JG-363-1-01

Clamp arm sets consists of clamp arm, links and screws.

Arm Model No.	Max. Opening 90° Version	Max. Opening 180° Version	Weight kg [lbs]
8JG-363-1-01	105°	105°	[1.15] 0,52

For Size 40mm



8JG-364-1-01

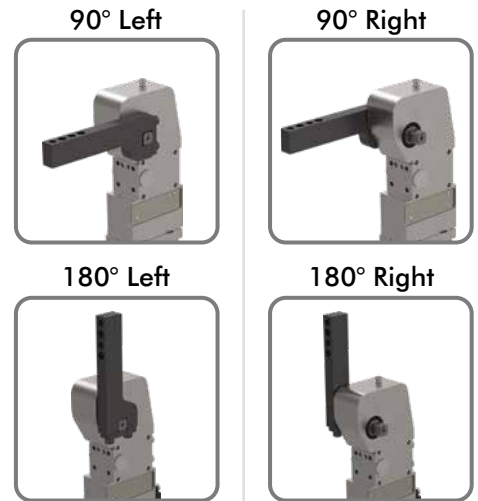
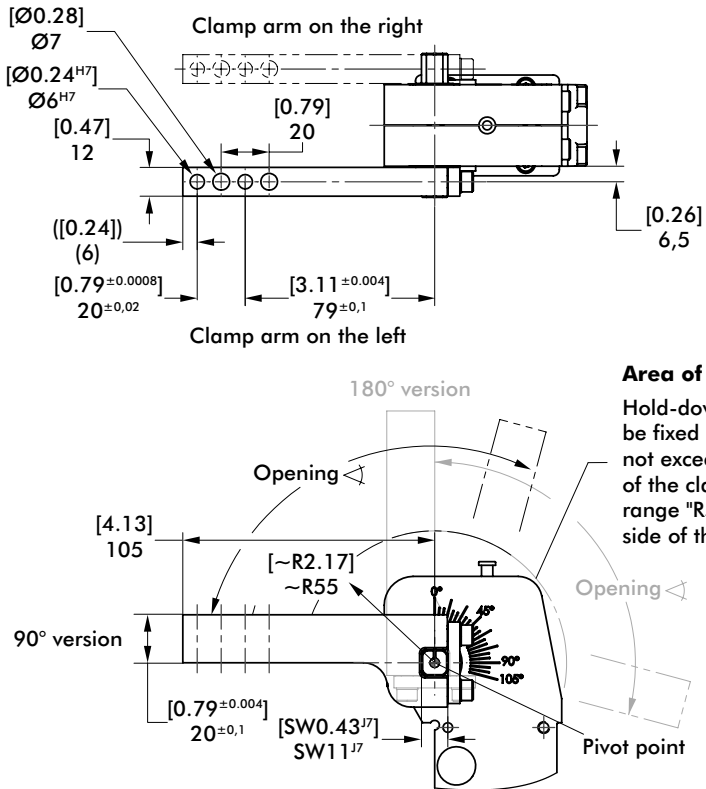
Clamp arm sets consists of clamp arm, links and screws.

Arm Model No.	Max. Opening 90° Version	Max. Opening 180° Version	Weight kg [lbs]
8JG-364-1-01	105°	105°	[1.70] 0,77

82L-3E LATERAL ARMS (STEEL)

Enclosed Pneumatic Power Clamps | Lightweight Modular | Dimensions and Technical Specifications

For Size 32mm

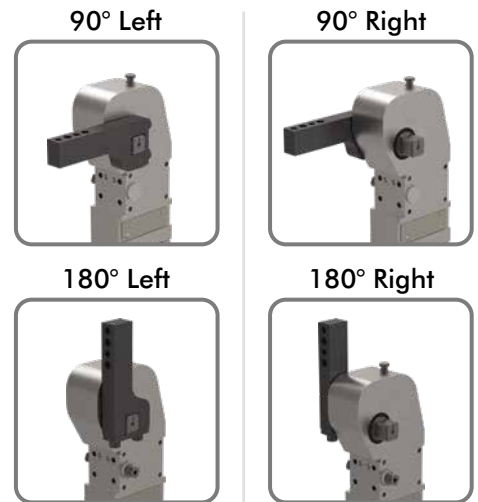
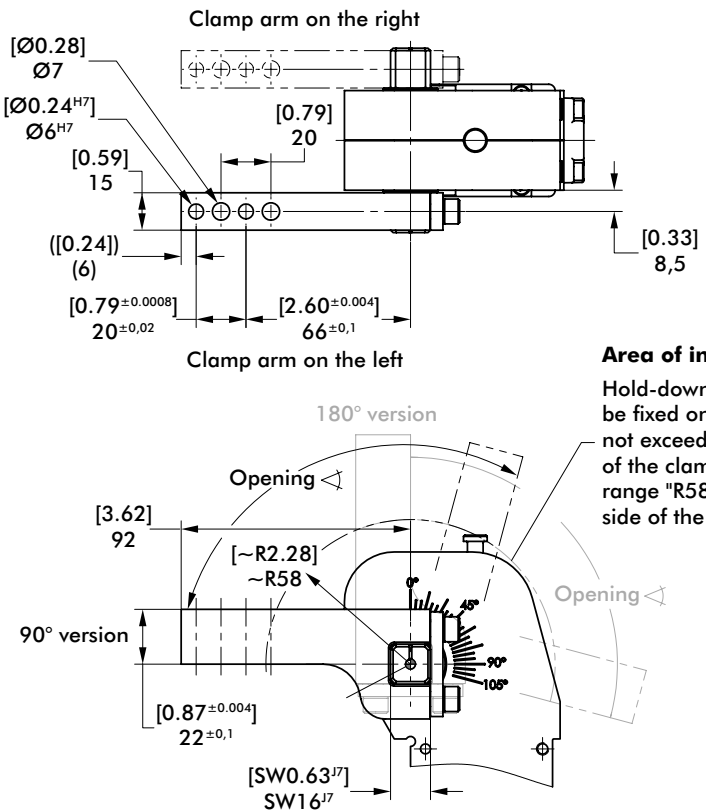


8JG-066-1-01

Clamp arm sets consists of clamp arm, links and screws.

Arm Model No.	Max. Opening 90° Version	Max. Opening 180° Version	Weight kg [lbs]
8JG-066-1-01	105°	105°	[0.55] 0,25

For Size 40mm



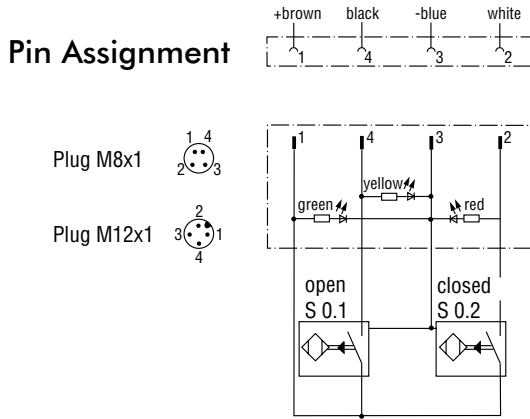
8JG-068-1-01

Clamp arm sets consists of clamp arm, links and screws.

Arm Model No.	Max. Opening 90° Version	Max. Opening 180° Version	Weight kg [lbs]
8JG-068-1-01	105°	105°	[0.66] 0,3

82L-3E ACCESSORIES

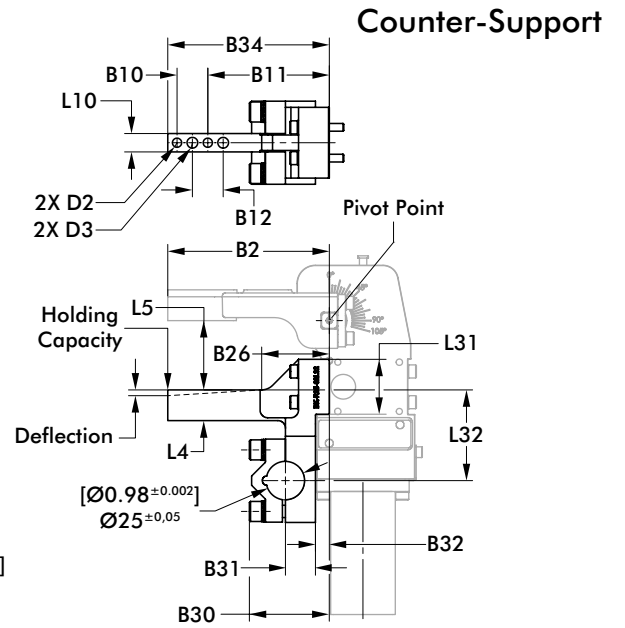
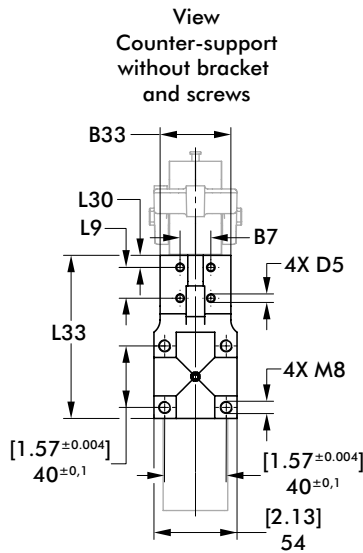
Enclosed Pneumatic Power Clamps | Lightweight Modular | Dimensions and Technical Specifications



Wiring diagram of electrical sensing system

Sensing system immune to interference from d.c. arc welding and a.c. arc welding

Inductive version: B8, B7, C8



* = Tolerance for distance to dowel holes $\pm 0,02$ [$\pm 0,001$ in]
 ** = distance from pivot point

Model	Fit for Model	Max. Holding Capacity N [lbf]	Deflection mm [in]	Weight kg [lbs]	B2	B7*	B10	B11	B12	B26**	B30**	B31**	B32**
BK-R25-82L25-1	82L-3E23..2...	[206] 914	[0.008] 0,2	[0.88] 0,4	[3.66] 93	[0.98] 25		[2.44] 62		[1.65] 42	[2.17] 55	[1.24] 31,5	[0.43] 11
BK-R25-82L32-1	82L-3E23..3...	[148] 660	[0.006] 0,16	[1.1] 0,5	[4.13] 105	[0.79] 20	[0.79] 20	[3.11] 79	[0.79] 20	[1.73] 44	[2.05]	[1.12]	[0.35] 9
BK-R25-82L40-1	82L-3E23..4...	[450] 2000	[0.015] 0,37	[1.23] 0,56	[4.33] 110	[0.98] 25		[3.31] 84		[1.61] 41	52	28,5	[0.30] 7,5

Model	B33	B34	D2 Ø H7	D3 Ø	D5 Ø	L4 [±0.004] ±0,1	L5 [±0.004] ±0,1	L9	L10	L30	L31	L32	L33
BK-R25-82L25-1	[1.38] 35	[3.54] 90	[0.16] 4	[0.26] 6,5		[0.22] 5,5		[0.71] 18	[0.47] 12	[0.19] 4,95	[1.10] 27,9	[2.00] 50,9	[4.17] 106
BK-R25-82L32-1	[1.81] 46	[4.13] 105	[0.24]	[0.28]		[0.22] 5,5	[1.77] 45	[0.79] 20		[0.31] 7,85	[1.41] 35,7	[2.32] 59	
BK-R25-82L40-1	[1.57] 40	[4.33] 110	6	7		[0.26] 6,6	[0.87] 22	[0.79] 20	[0.59] 15	[0.39] 9,85	[1.56] 39,7	[2.60] 66	[4.25] 108

82L-3E ACCESSORIES

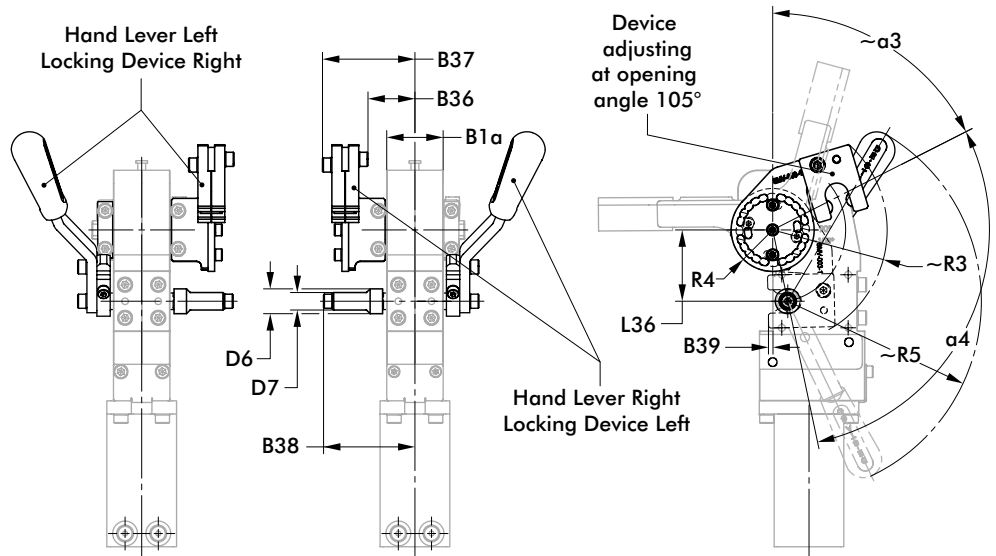
Enclosed Pneumatic Power Clamps | Lightweight Modular | Dimensions and Technical Specifications

Hold Open Device



Clamping position

Open position locked



Model	Fit for Model	B1 α	B36	B37	B38	B39	D6	D7	L36	~R3	R4	~R5	~a3	a4
82ZB-036-1	82L-3E23H.2...	[1.34]	[0.98] 25	[1.85] 47	[1.85] 47			[0.39] 10	[1.22] 31	[2.09] 53	[0.73] 18,5		64°	
82ZB-037-1	82L-3E23H.3...	34	[1.10] 28	[2.20] 56	[2.19] 55,5	[0.12] 3	[0.59] 15	[0.41] 10,5	[1.69] 43	[2.72] 69	[0.98] 25	[4.61] 117	63°	105°
82ZB-038-1	82L-3E23H.4...	[1.57] 40	[1.18] 30	[2.28] 58	[2.24] 57				[1.97] 50	[2.99] 76	[1.06] 27			

82L-3E ACCESSORIES

Enclosed Pneumatic Power Clamps | Lightweight Modular | Dimensions and Technical Specifications

Clamping Arms		Order No. for Set 82L-3E23..2...	Order No. for Set 82L-3E23..3...	Order No. for Set 82L-3E23..4...						
U-central		8JG-075-3-01	8JG-065-2-01	8JG-067-2-01						
Lateral		--	8JG-066-1-01	8JG-068-1-01						
H-Shape		--	8JG-363-1-01	8JG-364-1-01						
Sensor Cables (1 Connector Socket & 5 m [16.4 ft] cable)										
Connector Socket M8x1 Straight 4-pin		8EL-009-1	8EL-009-1	8EL-009-1						
Connector Socket M8x1 Angular 4-pin		8EL-007-1	8EL-007-1	8EL-007-1						
Connector Socket M12x1 Straight 5-pin		8EL-002-1	8EL-002-1	8EL-002-1						
Connector Socket M12x1 Angular 4-pin		8EL-003-1	8EL-003-1	8EL-003-1						
Shim for Clamping Arm		Order No.	A1	A2	D2	D3	B9	B10	B12	L10
		82ZB-SH4001		[0.004] 0,1						
		82ZB-SH4002		[0.008] 0,2						
		82ZB-SH4005	[1.65] 42	[0.02] 0,5	[0.26] 6,5	[0.28] 7	[0.24] 6	[0.79] 20	[0.79] 20	[0.46] 11,8
		82ZB-SH4010		[0.04] 1,0						
		82ZB-SH4020		[0.08] 2,0						
		82ZB-SH4050		[0.20] 5,0						
		Spare Parts		Order No. for Set		Order No. for Set		Order No. for Set		
		82L-3E23..25..	82L-3E23..2N..	82L-3E23..32..	82L-3E23..3N..	82L-3E23..40..	82L-3E23..4N..			
Cylinder		82L-3E000025	82L-3E00002N	82L-3E000032	82L-3E00003N	82L-3E000040	82L-3E00004N			
Sensor Kit										
C8 Connector Plug, with In-Line M8x1		8EA-174-1-B		8EA-177-1-B						
B7 Connector Plug, with In-Line M12x1		8EA-175-1-B		8EA-178-1-B						
B8 Connector Plug, M12x1 with Cable		8EA-176-1-B		8EA-179-1-B						
Spare Parts		Order No. for Set		Order No. for Set		Order No. for Set				
		82L-3E23H02...	82L-3E23HG2...	82L-3E23H03...	82L-3E23HG3...	82L-3E23H04...	82L-3E23HG4...			
Hand Lever		8KB-031-1	8KB-091-1	8KB-031-1	8KB-091-1	8KB-032-1	8KB-092-1			