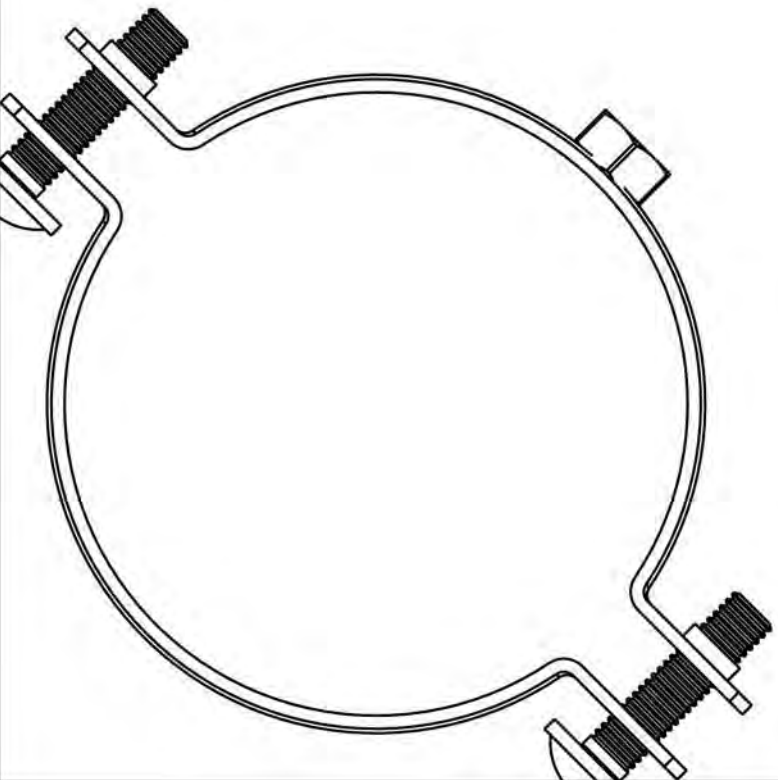
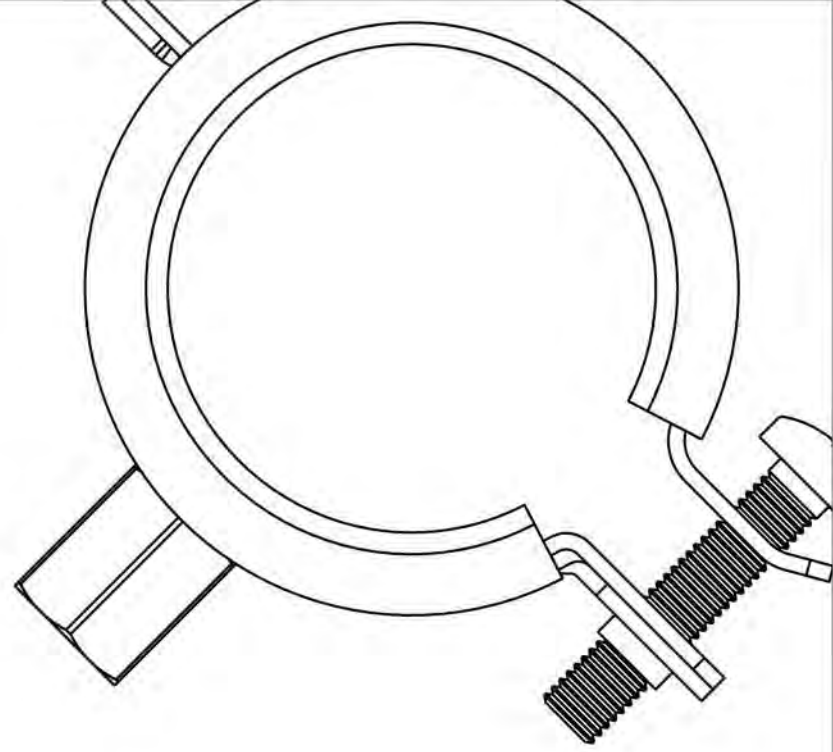


TELFORM
Hose Clamp and Spring Co.

FIXING SYSTEMS



01	HISTORY
03	PRODUCTION
05	2S PIPE CLAMPS
09	PRAKTIC PIPE CLAMPS
11	FAST CLOSING SYSTEM PIPE CLAMPS
13	EASYFIX CLAMPS
14	2S MUFF PIPE CLAMPS
15	2S VENTILATION DUCT CLAMPS
19	2S PIPE CLAMPS (WOOD SCREW)
21	LIGHT HEAVY DUTY PIPE CLAMPS
23	HEAVY DUTY PIPE CLAMPS
24	BRACKET TYPE HEAVY DUTY PIPE CLAMPS
25	2S PIPE CLAMPS SET PACKAGE
29	CC E TYPE CLAMPS
30	CC B TYPE CLAMPS
31	CC F TYPE CLAMPS
32	CC C TYPE CLAMPS
33	CC A TYPE CLAMPS
34	CC D TYPE CLAMPS
35	HOSE HEAVY DUTY CLAMPS
36	STANDARD T BOLT HOSE CLAMPS
37	SPRING T BOLT HOSE CLAMPS
38	U BOLT / ROD
39	ANCHOR
40	ACCESSORIES
41	QUALITY

HISTORY

Telform Hose Clamp and Spring was established in early 1996 in order to provide service for White Goods, Automotive, Electric & Electronic Industries, Construction Sector and for other industrial branches.

- 07 March 1996. With M. Levent KÜÇÜKŞENER and Italy partnership, Telform Hose Clamp and Spring was established.
- 1996. In Güzelyalı-Pendik-İstanbul, production had started with 500 m² closed area, 8 personnel and 5 machines.
- 1997. Sinan DÜLGER has bought shares from Italy group and had become Company partner.
- 1997. In Aydınlı-Tuzla-İstanbul, moved to a new Factory building which had 4.950 m² total, 1.500 m² production area. With 40 personnel, the staff and production capacity was increased.
- 1998. 15 various Springs machines had been bought, production range and capacity was increased.
- 2001. Achieved ISO 9001-2000 Quality certificate.
- 2001. Started Piston Ring Spring production.
- 2004. Rented an addition 1500 m² Factory building and continued it's production on a total of 3.000 m² area.
- 24 April 2009. İsmet DÜLGER had bought the shares of Italian group. Telform had become 100% Turkish investment company.
- 2009. By investing new machines for Piston ring springs, the capacity had been increased.
- 2010. New machine investments for Torsion springs, Extension springs and Compression springs had been completed and capacity increase was provided.
- 2010. New Factory construction in Gebze-Kocaeli GEPOSB that has 7.200 m² closed area was completed.
- January 2011. Moved to New Factory in Gebze-Kocaeli GEPOSB.
- 2011. Achieved ISO/TS 16949:2009 Certificate from SGS. Also, again from SGS, renewed it's ISO 9001:2008 Quality Certificate.
- June 2011. Started production of Pipe Clamps and made new investment.
- 2012. The personnel had reached to 20 White collar, 100 Blue collar.
- 2013. By investing to Formed Springs divison, Strip and Wire Processing machines procurement was completed.
- 2014. The wire processing range was increased from 0,15 -5,00 mm. to 0,15 - 6,00 mm. with new investment.
- 2014. Investment of Bihler type Strip and Wire Processing machines to Formed Springs divison was completed and started "Spring Band Clamps" production.
- 2015. In parallel to Customer requests', automation investments was provided for the assembly of springs and formed parts.
- 2015. With the help of advancing staff, studies has been started to produce it's own design CNC Machines.
- 2016. Completed production of it's own designed CNC machine and now in working condition. Mould investments for new types of Pipe Clamps has been completed and new models has been introduced. Further more capacity increased by new machine investments for new projects.



**We know what
you need**

PRODUCTION

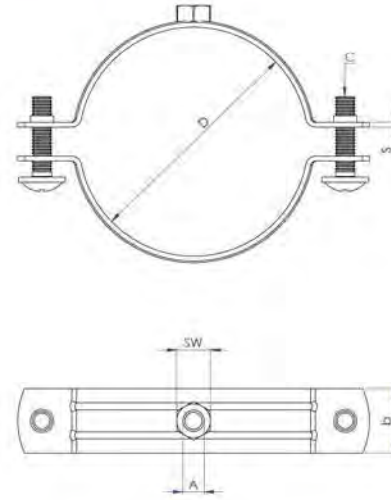
TELFORM A.Ş. FIXING SYSTEMS is the leader organisation having a wide variety of fastener production in Turkey.

Our products of Pipe Hangers, Fixing Fasteners, Support and other installation systems have been produced by machines specific for the related product using latest technology.

We guarantee fine service to our valuable customers for all of our products produced according to European Norms by offering a total and intense quality control system.



2S PIPE CLAMPS (With Nuts & Rubber Profile)



Technical Specifications

Product Code	Size (Inch)	Tighten Range D(mm)	Material	Material Dimension (bxs)	Hanging Nuts (A)	SW	Recommended Load (kN)	Connection Screw (C)
2S N - 01	1/4"	12-15	DIN EN 10130	1,5X20	M8	13	1	M6X18
2S N - 02	3/8"	15-19	DIN EN 10130	1,5X20	M8	13	1	M6X18
2S N - 03	1/2"	20-24	DIN EN 10130	1,5X20	M8	13	1	M6X18
2S N - 04	3/4"	23-28	DIN EN 10130	1,5X20	M8	13	1	M6X18
2S N - 05	1"	31-36	DIN EN 10130	1,5X20	M8	13	1	M6X18
2S N - 06	1 1/4"	38-44	DIN EN 10130	1,5X20	M8	13	1	M6X18
2S N - 07	1 1/2"	44-50	DIN EN 10130	1,5X20	M8	13	1	M6X18
2S N - 08	-	54-58	DIN EN 10130	1,5X20	M8	13	1	M6X18
2S N - 09	2"	59-65	DIN EN 10130	1,5X20	M8	13	1	M6X18
2S N - 10	-	62-67	DIN EN 10130	1,5X20	M8	13	2	M6X18
2S N - 11	2 1/2"	74-80	DIN EN 10130	2X25	M10	17	2	M6X25
2S N - 12	3"	83-93	DIN EN 10130	2X25	M10	17	2	M6X25
2S N - 13	-	95-103	DIN EN 10130	2X25	M10	17	2	M6X25
2S N - 14	4"	108-118	DIN EN 10130	2X25	M10	17	2	M6X25
2S N - 15	-	121-127	DIN EN 10130	2X25	M10	17	2	M6X25
2S N - 16	5"	132-143	DIN EN 10130	2X25	M10	17	2	M6X25
2S N - 17	6"	159-169	DIN EN 10130	2X25	M10	17	2	M6X25
2S N - 18	-	198-202	DIN EN 10130	2X25	M10	17	2	M6X25
2S N - 19	-	210-215	DIN EN 10130	2X25	M10	17	2	M6X25
2S N - 20	8"	216-225	DIN EN 10130	2X25	M10	17	2	M6X25
2S N - 21	-	249-254	DIN EN 10130	2X25	M10	17	2	M6X25

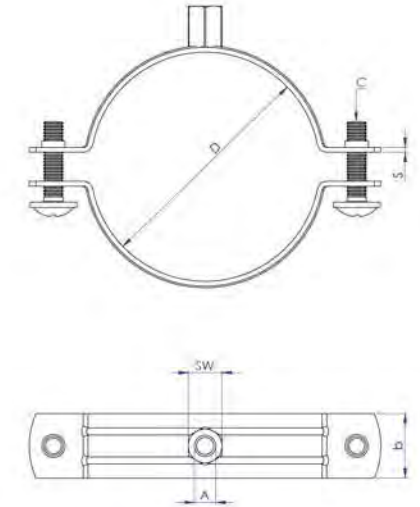
Features and Benefits

- Two-piece pipe clamp with lining.
- Locking screw secured against loss.
- Better adaptation to different pipe cross sections due to two locking screws.
- Electro zinc plated (5-10 µm).
- Noise insulating lining EPDM rubber.
- Noise insulation according to DIN 4109.
- Locking screw: Flat head screw with combination recessed head.
- Fire behavior DIN 4102 class B2.

Rubber Profiles

- Extruded profile.
- Chlorine-free
- Resistant to ozone, UV, weather and sea water
- Temperature resistance from -50C to 110C
- Shore A hardness 50±5

2S PIPE CLAMPS (With Combi Nuts & Rubber Profile)



Technical Specifications

Product Code	Size (Inch)	Tighten Range D(mm)	Material	Material Dimension (bxs)	Hanging Nuts (A)	SW	Recommended Load (kN)	Connection Screw (C)
2S CN - 01	1/4"	12-15	DIN EN 10130	1,5X20	M8/M10	13	1	M6X18
2S CN - 02	3/8"	15-19	DIN EN 10130	1,5X20	M8/M10	13	1	M6X18
2S CN - 03	1/2"	20-24	DIN EN 10130	1,5X20	M8/M10	13	1	M6X18
2S CN - 04	3/4"	23-28	DIN EN 10130	1,5X20	M8/M10	13	1	M6X18
2S CN - 05	1"	31-36	DIN EN 10130	1,5X20	M8/M10	13	1	M6X18
2S CN - 06	1 1/4"	38-44	DIN EN 10130	1,5X20	M8/M10	13	1	M6X18
2S CN - 07	1 1/2"	44-50	DIN EN 10130	1,5X20	M8/M10	13	1	M6X18
2S CN - 08	-	54-58	DIN EN 10130	1,5X20	M8/M10	13	1	M6X18
2S CN - 09	2"	59-65	DIN EN 10130	1,5X20	M8/M10	13	1	M6X18
2S CN - 10	-	62-67	DIN EN 10130	1,5X20	M8/M10	13	1	M6X18
2S CN - 11	2 1/2"	74-80	DIN EN 10130	2X25	M8/M10	13	1,5	M6X25
2S CN - 12	3"	83-93	DIN EN 10130	2X25	M8/M10	13	1,5	M6X25
2S CN - 13	-	95-103	DIN EN 10130	2X25	M8/M10	13	1,5	M6X25
2S CN - 14	4"	108-118	DIN EN 10130	2X25	M8/M10	13	1,5	M6X25
2S CN - 15	-	121-127	DIN EN 10130	2X25	M8/M10	13	1,5	M6X25
2S CN - 16	5"	132-143	DIN EN 10130	2X25	M8/M10	13	1,5	M6X25
2S CN - 17	6"	159-169	DIN EN 10130	2X25	M8/M10	13	1,5	M6X25
2S CN - 18	-	198-202	DIN EN 10130	2X25	M8/M10	13	1,5	M6X25
2S CN - 19	-	210-215	DIN EN 10130	2X25	M8/M10	13	1,5	M6X25
2S CN - 20	8"	216-225	DIN EN 10130	2X25	M8/M10	13	1,5	M6X25
2S CN - 21	-	249-254	DIN EN 10130	2X25	M8/M10	13	1,5	M6X25

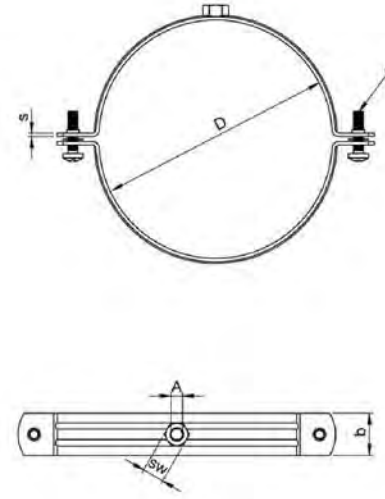
Features and Benefits

- Two-piece pipe clamp with lining.
- Locking screw secured against loss.
- Better adaptation to different pipe cross sections due to two locking screws.
- Electro zinc plated (5-10 µm).
- Noise insulating lining EPDM rubber.
- Noise insulation according to DIN 4109.
- Locking screw: Flat head screw with combination recessed head.
- Fire behavior DIN 4102 class B2.
- Connecting nut with combination thread M8/M10.

Rubber Profiles

- Extruded profile.
- Chlorine-free
- Resistant to ozone, UV, weather and sea water
- Temperature resistance from -50C to 110C
- Shore A hardness 50±5

2S PIPE CLAMPS (With Nuts & Without Rubber Profile)



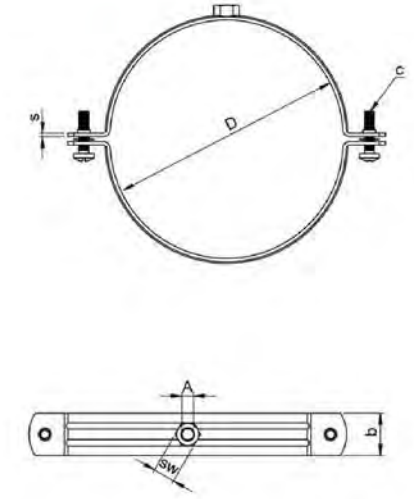
Technical Specifications

Product Code	Size (Inch)	Tighten Range D(mm)	Material	Material Dimension (bxs)	Hanging Nuts (A)	SW	Recommended Load (kN)	Connection Screw (C)
2S WORN - 01	3/8"	14-18	DIN EN 10130	1,5X20	M8	13	1	M6X18
2S WORN - 02	1/2"	20-24	DIN EN 10130	1,5X20	M8	13	1	M6X18
2S WORN - 03	3/4"	23-28	DIN EN 10130	1,5X20	M8	13	1	M6X18
2S WORN - 04	1"	32-35	DIN EN 10130	1,5X20	M8	13	1	M6X18
2S WORN - 05	1 1/4"	39-44	DIN EN 10130	1,5X20	M8	13	1	M6X18
2S WORN - 06	1 1/2"	44-53	DIN EN 10130	1,5X20	M8	13	1	M6X18
2S WORN - 07	2"	56-65	DIN EN 10130	1,5X20	M8	13	1	M6X18
2S WORN - 08	-	62-69	DIN EN 10130	1,5X20	M8	13	1	M6X18
2S WORN - 09	2 1/2"	76-84	DIN EN 10130	1,5X20	M8	13	2	M6X18
2S WORN - 10	3"	82-92	DIN EN 10130	2X25	M10	17	2	M6X25
2S WORN - 11	-	95-103	DIN EN 10130	2X25	M10	17	2	M6X25
2S WORN - 12	4"	107-115	DIN EN 10130	2X25	M10	17	2	M6X25
2S WORN - 13	-	116-126	DIN EN 10130	2X25	M10	17	2	M6X25
2S WORN - 14	5"	133-140	DIN EN 10130	2X25	M10	17	2	M6X25
2S WORN - 15	6"	159-168	DIN EN 10130	2X25	M10	17	2	M6X25
2S WORN - 16	8"	207-215	DIN EN 10130	2X25	M10	17	2	M6X25

Features and Benefits

- Two-piece pie clamp with lining.
- Locking screw secured against loss.
- Better adaptation to different pipe cross sections due to two locking screws.
- Electro zinc plated (5-10 µm).
- Locking screw: Flat head screw with combination recessed head.
- Fire behavior DIN 4102 class B2.

2S PIPE CLAMPS (With Combi Nuts & Without Rubber Profile)



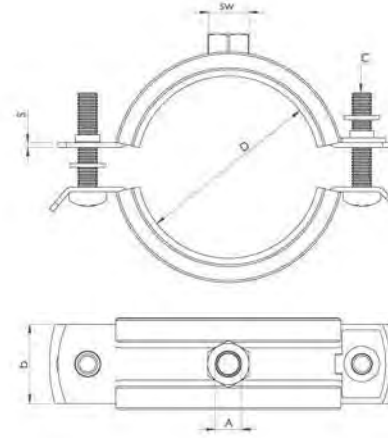
Technical Specifications

Product Code	Size (Inch)	Tighten Range D(mm)	Material	Material Dimension (bxs)	Hanging Nuts (A)	SW	Recommended Load (kN)	Connection Screw (C)
2S WORCN - 01	3/8"	14-18	DIN EN 10130	1,5X20	M8/M10	13	1	M6X18
2S WORCN - 02	1/2"	20-24	DIN EN 10130	1,5X20	M8/M10	13	1	M6X18
2S WORCN - 03	3/4"	23-28	DIN EN 10130	1,5X20	M8/M10	13	1	M6X18
2S WORCN - 04	1"	32-35	DIN EN 10130	1,5X20	M8/M10	13	1	M6X18
2S WORCN - 05	1 1/4"	39-44	DIN EN 10130	1,5X20	M8/M10	13	1	M6X18
2S WORCN - 06	1 1/2"	44-53	DIN EN 10130	1,5X20	M8/M10	13	1	M6X18
2S WORCN - 07	2"	56-65	DIN EN 10130	1,5X20	M8/M10	13	1	M6X18
2S WORCN - 08	-	62-69	DIN EN 10130	1,5X20	M8/M10	13	2	M6X18
2S WORCN - 09	2 1/2"	76-84	DIN EN 10130	2X25	M8/M10	13	2	M6X25
2S WORCN - 10	3"	82-92	DIN EN 10130	2X25	M8/M10	13	2	M6X25
2S WORCN - 11	-	95-103	DIN EN 10130	2X25	M8/M10	13	2	M6X25
2S WORCN - 12	4"	107-115	DIN EN 10130	2X25	M8/M10	13	2	M6X25
2S WORCN - 13	-	116-126	DIN EN 10130	2X25	M8/M10	13	2	M6X25
2S WORCN - 14	5"	133-140	DIN EN 10130	2X25	M8/M10	13	2	M6X25
2S WORCN - 15	6"	159-168	DIN EN 10130	2X25	M8/M10	13	2	M6X25
2S WORCN - 16	8"	207-215	DIN EN 10130	2X25	M8/M10	13	2	M6X25

Features and Benefits

- Two-piece pie clamp with lining.
- Locking screw secured against loss.
- Better adaptation to different pipe cross sections due to two locking screws.
- Electro zinc plated (5-10 µm).
- Locking screw: Flat head screw with combination recessed head.
- Fire behavior DIN 4102 class B2.
- Connecting nut with combination thread M8/M10.

PRAKTIC PIPE CLAMPS (With Nuts & Rubber Profile)



Technical Specifications

Product Code	Size (Inch)	Tighten Range D(mm)	Material	Material Dimension (bxs)	Hanging Nuts (A)	SW	Rubber	Breaking Load (kN)	Recommended Load (kN)	Connection Screw (C)
PPCN - 01	1/4"	12-16	DIN EN 10130	1,20x20	M8	13	EPDM	1,5	1	M5X25
PPCN - 02	3/8"	15-19	DIN EN 10130	1,20x20	M8	13	EPDM	1,5	1	M5X25
PPCN - 03	1/2"	20-24	DIN EN 10130	1,20x20	M8	13	EPDM	1,5	1	M5X25
PPCN - 04	3/4"	26-30	DIN EN 10130	1,20x20	M8	13	EPDM	1,5	1	M5X25
PPCN - 05	1"	31-36	DIN EN 10130	1,20x20	M8	13	EPDM	1,5	1	M5X25
PPCN - 06	1 1/4"	40-46	DIN EN 10130	1,20x20	M8	13	EPDM	1,5	1	M5X25
PPCN - 07	1 1/2"	48-53	DIN EN 10130	1,20x20	M8	13	EPDM	1,5	1	M5X25
PPCN - 08	-	54-59	DIN EN 10130	1,50x20	M8	13	EPDM	1,5	1	M6X25
PPCN - 09	2"	60-64	DIN EN 10130	1,50x20	M8	13	EPDM	1,5	1	M6X25
PPCN - 10	-	70-73	DIN EN 10130	1,50x25	M8	13	EPDM	2	1,5	M6X30
PPCN - 11	2 1/2"	72-83	DIN EN 10130	2x25	M10	17	EPDM	2	1,5	M6X30
PPCN - 12	3"	87-92	DIN EN 10130	2x25	M10	17	EPDM	2	1,5	M6X30
PPCN - 13	-	95-103	DIN EN 10130	2x25	M10	17	EPDM	2	1,5	M6X30
PPCN - 14	4"	102-116	DIN EN 10130	2x25	M10	17	EPDM	2	1,5	M6X30
PPCN - 15	-	124-130	DIN EN 10130	2,5x25	M10	17	EPDM	2,5	2	M6X30
PPCN - 16	5"	132-141	DIN EN 10130	2,5x25	M10	17	EPDM	2,5	2	M6X30
PPCN - 17	6"	159-168	DIN EN 10130	2,5x25	M10	17	EPDM	2,5	2	M6X30

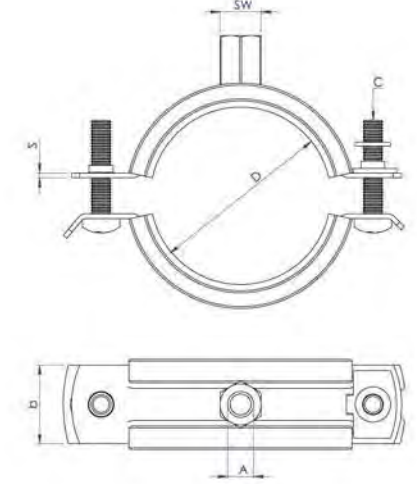
Features and Benefits

- Easy installation for practitioners.
- Two-piece pipe clamp with lining.
- Locking screw secured against loss.
- Better adaptation to different pipe cross sections due to two locking screws.
- Electro zinc plate (5-10 µm).
- Noise insulating lining EPDM rubber.
- Noise insulation according to DIN 4109.
- Locking screw: Flat head screw with combination recessed head.
- Fire behavior DIN 4102 class B2.

Rubber Profiles

- Extruded profile.
- Chlorine-free
- Resistant to ozone UV, weather and sea water
- Temperature resistance from - 50C to 110C
- Shore A hardness 50±5

PRAKTIC PIPE CLAMPS (With Combi Nuts & Rubber Profile)



Technical Specifications

Product Code	Size (Inch)	Tighten Range D(mm)	Material	Material Dimension (bxs)	Hanging Nuts (A)	SW	Rubber	Breaking Load (kN)	Recommended Load (kN)	Connection Screw (C)
PPCCN - 01	1/4"	12-16	DIN EN 10130	1,20x20	M8/M10	13	EPDM	1,5	1	M5X25
PPCCN - 02	3/8"	15-19	DIN EN 10130	1,20x20	M8/M10	13	EPDM	1,5	1	M5X25
PPCCN - 03	1/2"	20-24	DIN EN 10130	1,20x20	M8/M10	13	EPDM	1,5	1	M5X25
PPCCN - 04	3/4"	26-30	DIN EN 10130	1,20x20	M8/M10	13	EPDM	1,5	1	M5X25
PPCCN - 05	1"	31-36	DIN EN 10130	1,20x20	M8/M10	13	EPDM	1,5	1	M5X25
PPCCN - 06	1 1/4"	40-46	DIN EN 10130	1,20x20	M8/M10	13	EPDM	1,5	1	M5X25
PPCCN - 07	1 1/2"	48-53	DIN EN 10130	1,20x20	M8/M10	13	EPDM	1,5	1	M5X25
PPCCN - 08	-	54-59	DIN EN 10130	1,50x20	M8/M10	13	EPDM	1,5	1	M6X25
PPCCN - 09	2"	60-64	DIN EN 10130	1,50x20	M8/M10	13	EPDM	1,5	1	M6X25
PPCCN - 10	-	70-73	DIN EN 10130	1,50x25	M8/M10	13	EPDM	2	1,5	M6X25
PPCCN - 11	2 1/2"	72-83	DIN EN 10130	2x25	M8/M10	13	EPDM	2	1,5	M6X30
PPCCN - 12	3"	87-92	DIN EN 10130	2x25	M8/M10	13	EPDM	2	1,5	M6X30
PPCCN - 13	-	95-103	DIN EN 10130	2x25	M8/M10	13	EPDM	2	1,5	M6X30
PPCCN - 14	4"	102-116	DIN EN 10130	2x25	M8/M10	13	EPDM	2	1,5	M6X30
PPCCN - 15	-	124-130	DIN EN 10130	2,5x25	M8/M10	13	EPDM	2,5	2	M6X30
PPCCN - 16	5"	132-141	DIN EN 10130	2,5x25	M8/M10	13	EPDM	2,5	2	M6X30
PPCCN - 17	6"	159-168	DIN EN 10130	2,5x25	M8/M10	13	EPDM	2,5	2	M6X30

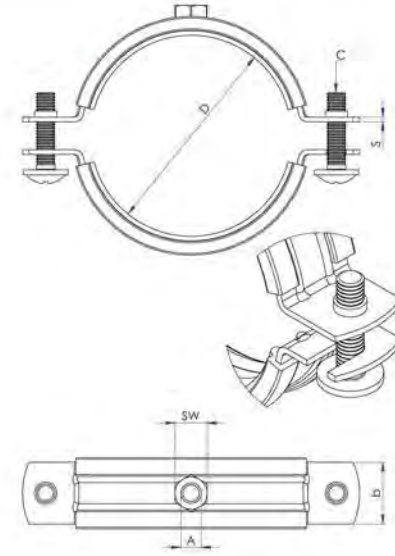
Features and Benefits

- Easy installation for practitioners.
- Two-piece pipe clamp with lining.
- Locking screw secured against loss.
- Better adaptation to different pipe cross sections due to two locking screws.
- Electro zinc plate (5-10 µm).
- Noise insulating lining EPDM rubber.
- Noise insulation according to DIN 4109.
- Locking screw: Flat head screw with combination recessed head.
- Fire behavior DIN 4102 class B2.
- Connecting nut with combination thread M8/M10

Rubber Profiles

- Extruded profile.
- Chlorine-free
- Resistant to ozone UV, weather and sea water
- Temperature resistance from - 50C to 110C
- Shore A hardness 50±5

FAST CLOSING SYSTEM PIPE CLAMPS (With Nuts & Rubber Profile)



Technical Specifications

Product Code	Size (Inch)	Tighten Range D(mm)	Material	Material Dimension (bxs)	Hanging Nuts (A)	SW	Rubber	Recommended Load (kN)	Connection Screw (C)
FCS N - 01	1/4"	12-16	DIN EN 10130	1,20X20	M8	13	EPDM	1	M5X25
FCS N - 02	3/8"	15-19	DIN EN 10130	1,20X20	M8	13	EPDM	1	M5X25
FCS N - 03	1/2"	20-24	DIN EN 10130	1,20X20	M8	13	EPDM	1	M5X25
FCS N - 04	3/4"	26-30	DIN EN 10130	1,20X20	M8	13	EPDM	1	M5X25
FCS N - 05	1"	31-36	DIN EN 10130	1,20X20	M8	13	EPDM	1	M5X25
FCS N - 06	1 1/4"	40-46	DIN EN 10130	1,20X20	M8	13	EPDM	1	M5X25
FCS N - 07	1 1/2"	48-53	DIN EN 10130	1,20X20	M8	13	EPDM	1	M5X25
FCS N - 08	-	54-59	DIN EN 10130	1,20X20	M8	13	EPDM	1	M5X25
FCS N - 09	2"	60-64	DIN EN 10130	1,20X20	M8	13	EPDM	1	M5X25
FCS N - 10	2 1/2"	72-83	DIN EN 10130	2X25	M10	17	EPDM	1,5	M6X30
FCS N - 11	3"	87-92	DIN EN 10130	2X25	M10	17	EPDM	1,5	M6X30
FCS N - 12	-	95-103	DIN EN 10130	2X25	M10	17	EPDM	1,5	M6X30
FCS N - 13	4"	102-116	DIN EN 10130	2X25	M10	17	EPDM	1,5	M6X30
FCS N - 14	-	124-130	DIN EN 10130	2X25	M10	17	EPDM	2	M6X30
FCS N - 15	5"	132-141	DIN EN 10130	2X25	M10	17	EPDM	2	M6X30
FCS N - 16	6"	159-168	DIN EN 10130	2X25	M10	17	EPDM	2	M6X30

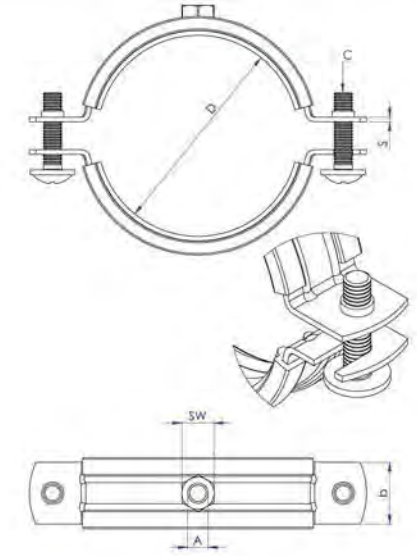
Features and Benefits

- Fast closing system installation for practitioners.
- Snap closure special fast closed system to prevent lower half part of clamps for falling upper half part during installation.
- Two-piece pie clamp with lining.
- Locking screw secured against loss.
- Better adaptation to different pipe cross sections due to two locking screws.
- Electro zinc plated (5-10 µm).
- Noise insulating lining EPDM rubber.
- Noise insulation according to DIN 4109.
- Locking screw: Flat head screw with combination recessed head.
- Fire behavior DIN 4102 class B2.

Rubber Profiles

- Extruded profile.
- Chlorine-free
- Resistant to ozone UV, weather and sea water
- Temperature resistance from - 50C to 110C
- Shore A hardness 50±5

FAST CLOSING SYSTEM PIPE CLAMPS (With Combi Nuts & Rubber Profile)



Technical Specifications

Product Code	Size (Inch)	Tighten Range D(mm)	Material	Material Dimension (bxs)	Hanging Nuts (A)	SW	Rubber	Recommended Load (kN)	Connection Screw (C)
FCS CN - 01	1/4"	12-16	DIN EN 10130	1,20X20	M8/M10	13	EPDM	1	M5X25
FCS CN - 02	3/8"	15-19	DIN EN 10130	1,20X20	M8/M10	13	EPDM	1	M5X25
FCS CN - 03	1/2"	20-24	DIN EN 10130	1,20X20	M8/M10	13	EPDM	1	M5X25
FCS CN - 04	3/4"	26-30	DIN EN 10130	1,20X20	M8/M10	13	EPDM	1	M5X25
FCS CN - 05	1"	31-36	DIN EN 10130	1,20X20	M8/M10	13	EPDM	1	M5X25
FCS CN - 06	1 1/4"	40-46	DIN EN 10130	1,20X20	M8/M10	13	EPDM	1	M5X25
FCS CN - 07	1 1/2"	48-53	DIN EN 10130	1,20X20	M8/M10	13	EPDM	1	M5X25
FCS CN - 08	-	54-59	DIN EN 10130	1,20X20	M8/M10	13	EPDM	1	M5X25
FCS CN - 09	2"	60-64	DIN EN 10130	1,20X20	M8/M10	13	EPDM	1	M5X25
FCS CN - 10	2 1/2"	72-83	DIN EN 10130	2X25	M8/M10	13	EPDM	1,5	M6X30
FCS CN - 11	3"	87-92	DIN EN 10130	2X25	M8/M10	13	EPDM	1,5	M6X30
FCS CN - 12	-	95-103	DIN EN 10130	2X25	M8/M10	13	EPDM	1,5	M6X30
FCS CN - 13	4"	102-116	DIN EN 10130	2X25	M8/M10	13	EPDM	1,5	M6X30
FCS CN - 14	-	124-130	DIN EN 10130	2X25	M8/M10	13	EPDM	2	M6X30
FCS CN - 15	5"	132-141	DIN EN 10130	2X25	M8/M10	13	EPDM	2	M6X30
FCS CN - 16	6"	159-168	DIN EN 10130	2X25	M8/M10	13	EPDM	2	M6X30

Features and Benefits

- Fast closing system installation for practitioners.
- Snap closure special fast closed system to prevent lower half part of clamps for falling upper half part during installation.
- Two-piece pie clamp with lining.
- Locking screw secured against loss.
- Better adaptation to different pipe cross sections due to two locking screws.
- Electro zinc plated (5-10 µm).
- Noise insulating lining EPDM rubber.
- Noise insulation according to DIN 4109.
- Locking screw: Flat head screw with combination recessed head.
- Fire behavior DIN 4102 class B2.
- Connecting nut with combination thread M8/M10.

Rubber Profiles

- Extruded profile.
- Chlorine-free
- Resistant to ozone UV, weather and sea water
- Temperature resistance from - 50C to 110C
- Shore A hardness 50±5

EASYFIX CLAMPS (With Nuts & Rubber Profile)



Technical Specifications • EASYFIX CLAMPS (With Nuts & Rubber Profile)

Product Code	Size (Inch)	Tighten Range D(mm)	Material	Material Dimension (bxs)	Hanging Nuts (G)	SW	Rubber	Recommended Load (kN)	Connection Screw (C)
EPCN - 01	1/4"	12-16	DIN EN 10130	1,20x20	M8	13	EPDM	0,80	M5X25
EPCN - 02	3/8"	15-19	DIN EN 10130	1,20x20	M8	13	EPDM	0,80	M5X25
EPCN - 03	1/2"	20-24	DIN EN 10130	1,20x20	M8	13	EPDM	0,80	M5X25
EPCN - 04	3/4"	26-30	DIN EN 10130	1,20x20	M8	13	EPDM	0,80	M5X25
EPCN - 05	1"	31-36	DIN EN 10130	1,20x20	M8	13	EPDM	0,80	M5X25
EPCN - 06	1 1/4"	40-43	DIN EN 10130	1,20x20	M8	13	EPDM	0,80	M5X25
EPCN - 07	1 1/2"	48-53	DIN EN 10130	1,20x20	M8	13	EPDM	0,80	M5X25
EPCN - 08	-	50-55	DIN EN 10130	1,20x20	M8	13	EPDM	0,80	M5X30
EPCN - 09	2"	60-64	DIN EN 10130	1,20x20	M8	13	EPDM	0,80	M5X30

Technical Specifications • EASYFIX CLAMPS (With Combi Nuts & Rubber Profile)

Product Code	Size (Inch)	Tighten Range D(mm)	Material	Material Dimension (bxs)	Hanging Nuts (G)	SW	Rubber	Recommended Load (kN)	Connection Screw (C)
EPCCN - 01	1/4"	12-16	DIN EN 10130	1,20x20	M8/M10	13	EPDM	0,80	M5X25
EPCCN - 02	3/8"	15-19	DIN EN 10130	1,20x20	M8/M10	13	EPDM	0,80	M5X25
EPCCN - 03	1/2"	20-24	DIN EN 10130	1,20x20	M8/M10	13	EPDM	0,80	M5X25
EPCCN - 04	3/4"	26-30	DIN EN 10130	1,20x20	M8/M10	13	EPDM	0,80	M5X25
EPCCN - 05	1"	31-36	DIN EN 10130	1,20x20	M8/M10	13	EPDM	0,80	M5X25
EPCCN - 06	1 1/4"	40-43	DIN EN 10130	1,20x20	M8/M10	13	EPDM	0,80	M5X25
EPCCN - 07	1 1/2"	48-53	DIN EN 10130	1,20x20	M8/M10	13	EPDM	0,80	M5X25
EPCCN - 08	-	50-55	DIN EN 10130	1,20x20	M8/M10	13	EPDM	0,80	M5X30
EPCCN - 09	2"	60-64	DIN EN 10130	1,20x20	M8/M10	13	EPDM	0,80	M5X30

Features and Benefits

- Quick Locking System.
- Easy installation for practitioners.
- Single Screw Clamps.
- Clamp Easy To Close With One Hand.
- Electro zinc plated (5-10 µm).
- Noise insulating lining EPDM rubber.
- Noise insulation according to DIN 4109.
- Locking screw: Flat head screw with combination recessed head.
- Fire behavior DIN4102 class B2.
- Connecting nut with combination thread M8/M10. (With Combi Nuts & Rubber Profile)

Rubber Profiles

- Extruded profile.
- Chlorine-free
- Resistant to ozone UV, weather and sea water
- Temperature resistance from - 50C to 110C
- Shore A hardness 50±5

2S MUFF PIPE CLAMPS (1/2" Muff & Rubber Profile)



Technical Specifications

Product Code	Size (Inch)	Tighten Range D (mm)	Material	Material Dimension (bxs)	Hanging Nuts (A)	Rubber	Recommended Load (KN)	Connection Screw (C)
MUFF - 01	1/2"	20-24	DIN EN 10130	1,50X20	1/2"	EPDM	2	M6X25
MUFF - 02	3/4"	26-30	DIN EN 10130	1,50X20	1/2"	EPDM	2	M6X25
MUFF - 03	1"	31-36	DIN EN 10130	1,50X20	1/2"	EPDM	2	M6X25
MUFF - 04	1 1/4"	40-46	DIN EN 10130	1,50X20	1/2"	EPDM	2	M6X25
MUFF - 05	1 1/2"	48-53	DIN EN 10130	1,50X20	1/2"	EPDM	2	M6X25
MUFF - 06	-	54-59	DIN EN 10130	1,50X25	1/2"	EPDM	2	M6X30
MUFF - 07	2"	60-64	DIN EN 10130	1,50X25	1/2"	EPDM	2	M6X30
MUFF - 08	-	70-73	DIN EN 10130	1,50X25	1/2"	EPDM	2,5	M6X30
MUFF - 09	2 1/2"	72-83	DIN EN 10130	2,0X25	1/2"	EPDM	2,5	M6X30
MUFF - 10	3"	87-92	DIN EN 10130	2,0X25	1/2"	EPDM	2,5	M6X30
MUFF - 11	-	95-103	DIN EN 10130	2,0X25	1/2"	EPDM	2,5	M6X30
MUFF - 12	4	102-116	DIN EN 10130	2,0X25	1/2"	EPDM	2,5	M6X30
MUFF - 13	-	124-130	DIN EN 10130	2,5X25	1/2"	EPDM	3	M6X30
MUFF - 14	5"	132-141	DIN EN 10130	2,5X25	1/2"	EPDM	3	M6X30
MUFF - 15	6"	159-168	DIN EN 10130	2,5X25	1/2"	EPDM	3	M6X30

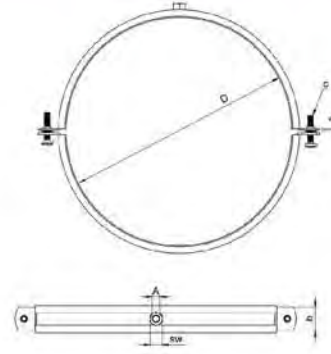
Features and Benefits

- The Inch threaded connection nut allows for a pipe fixing with increased bending stress.
- Two-piece pipe clamps with lining.
- Locking screw secured against loss.
- Better adaptation to different pipe cross sections due to two locking screws.
- Electro zinc plated (5-10 µm).
- Connection nut 1/2" resistance special welded.
- Noise insulating lining EPDM rubber.
- Noise insulation according to DIN 4109.
- Locking screw: Flat head screw with combination recessed head.
- Fire behavior DIN 4102 class B2.

Rubber Profiles

- Extruded profile.
- Chlorine-free
- Resistant to ozone UV, weather and sea water
- Temperature resistance from - 50C to 110C
- Shore A hardness 50±5

2S VENTILATION DUCT CLAMPS (With Rubber & Nuts)



Technical Specifications

Product Code	Size (Inch)	Material	Material Dimension (bxs)	Hanging Nuts (A)	SW	Recommended Load (kN)	Connection Screw (C)
2S VDN - 01	80	DIN EN 10130	1,5X20	M8	13	0,8	M6X25
2S VDN - 02	90	DIN EN 10130	1,5X20	M8	13	0,8	M6X25
2S VDN - 03	100	DIN EN 10130	1,5X20	M8	13	0,8	M6X25
2S VDN - 04	112	DIN EN 10130	1,5X20	M8	13	0,8	M6X25
2S VDN - 05	125	DIN EN 10130	1,5X20	M8	13	0,8	M6X25
2S VDN - 06	140	DIN EN 10130	1,5X20	M8	13	0,8	M6X25
2S VDN - 07	150	DIN EN 10130	1,5X20	M8	13	0,8	M6X25
2S VDN - 08	160	DIN EN 10130	1,5X20	M8	13	0,8	M6X25
2S VDN - 09	180	DIN EN 10130	1,5X20	M8	13	0,8	M6X25
2S VDN - 10	200	DIN EN 10130	1,5X20	M8	13	0,8	M6X25
2S VDN - 11	224	DIN EN 10130	2X25	M8	13	0,8	M6X30
2S VDN - 12	250	DIN EN 10130	2X25	M8	13	0,8	M6X30
2S VDN - 13	280	DIN EN 10130	2X25	M8	13	0,8	M6X30
2S VDN - 14	300	DIN EN 10130	2X25	M8	13	0,8	M6X30
2S VDN - 15	315	DIN EN 10130	2X25	M8	13	0,8	M6X30
2S VDN - 16	355	DIN EN 10130	2X25	M8	13	0,8	M6X30
2S VDN - 17	400	DIN EN 10130	2X25	M8	13	0,8	M6X30
2S VDN - 18	450	DIN EN 10130	2X25	M8	13	0,8	M6X30
2S VDN - 19	500	DIN EN 10130	2X25	M8	13	1	M6X30
2S VDN - 20	560	DIN EN 10130	2X25	M8	13	1	M6X30
2S VDN - 21	600	DIN EN 10130	2X25	M8	13	1	M6X30
2S VDN - 22	630	DIN EN 10130	2X25	M8	13	1	M6X30
2S VDN - 23	710	DIN EN 10130	2X25	M8	13	1	M6X30
2S VDN - 24	800	DIN EN 10130	2X25	M8	13	1	M6X30
2S VDN - 25	900	DIN EN 10130	2X25	M8	13	1	M6X30
2S VDN - 26	1000	DIN EN 10130	2X25	M8	13	1	M6X30
2S VDN - 27	1120	DIN EN 10130	2X25	M8	13	1	M6X30
2S VDN - 28	1250	DIN EN 10130	2X25	M8	13	1	M6X30
2S VDN - 29	1400	DIN EN 10130	2X25	M8	13	1	M6X30

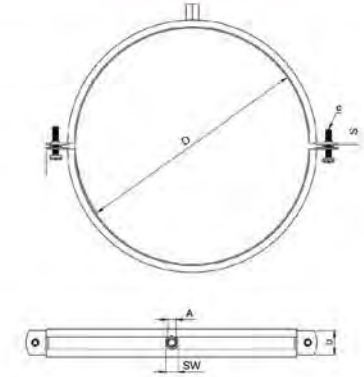
Features and Benefits

- Two-piece pipe clamp with lining.
- Locking screw secured against loss.
- Better adaptation to different pipe cross sections due to two locking screws.
- Electro zinc plated (5-10 µm).
- Noise insulating lining EPDM rubber.
- Noise insulation according to DIN 4109.
- Locking screw: Flat head screw with combination recessed head.
- Fire behavior DIN 4102 class B2.

Rubber Profiles

- Extruded profile.
- Chlorine-free
- Resistant to ozone UV, weather and sea water
- Temperature resistance from - 50C to 110C
- Shore A hardness 50±5

2S VENTILATION DUCT CLAMPS (With Rubber & Combi Nuts)



Technical Specifications

Product Code	Size (Inch)	Material	Material Dimension (bxs)	Hanging Nuts (A)	SW	Recommended Load (kN)	Connection Screw (C)
2S VDCN - 01	80	DIN EN 10130	1,5X20	M8/M10	13	0,6	M6X25
2S VDCN - 02	90	DIN EN 10130	1,5X20	M8/M10	13	0,6	M6X25
2S VDCN - 03	100	DIN EN 10130	1,5X20	M8/M10	13	0,6	M6X25
2S VDCN - 04	112	DIN EN 10130	1,5X20	M8/M10	13	0,6	M6X25
2S VDCN - 05	125	DIN EN 10130	1,5X20	M8/M10	13	0,6	M6X25
2S VDCN - 06	140	DIN EN 10130	1,5X20	M8/M10	13	0,6	M6X25
2S VDCN - 07	150	DIN EN 10130	1,5X20	M8/M10	13	0,6	M6X25
2S VDCN - 08	160	DIN EN 10130	1,5X20	M8/M10	13	0,6	M6X25
2S VDCN - 09	180	DIN EN 10130	1,5X20	M8/M10	13	0,6	M6X25
2S VDCN - 10	200	DIN EN 10130	1,5X20	M8/M10	13	0,6	M6X25
2S VDCN - 11	224	DIN EN 10130	2X25	M8/M10	13	0,6	M6X30
2S VDCN - 12	250	DIN EN 10130	2X25	M8/M10	13	0,6	M6X30
2S VDCN - 13	280	DIN EN 10130	2X25	M8/M10	13	0,6	M6X30
2S VDCN - 14	300	DIN EN 10130	2X25	M8/M10	13	0,6	M6X30
2S VDCN - 15	315	DIN EN 10130	2X25	M8/M10	13	0,6	M6X30
2S VDCN - 16	355	DIN EN 10130	2X25	M8/M10	13	0,6	M6X30
2S VDCN - 17	400	DIN EN 10130	2X25	M8/M10	13	0,6	M6X30
2S VDCN - 18	450	DIN EN 10130	2X25	M8/M10	13	0,6	M6X30
2S VDCN - 19	500	DIN EN 10130	2X25	M8/M10	13	0,8	M6X30
2S VDCN - 20	560	DIN EN 10130	2X25	M8/M10	13	0,8	M6X30
2S VDCN - 21	600	DIN EN 10130	2X25	M8/M10	13	0,8	M6X30
2S VDCN - 22	630	DIN EN 10130	2X25	M8/M10	13	0,8	M6X30
2S VDCN - 23	710	DIN EN 10130	2X25	M8/M10	13	0,8	M6X30
2S VDCN - 24	800	DIN EN 10130	2X25	M8/M10	13	0,8	M6X30
2S VDCN - 25	900	DIN EN 10130	2X25	M8/M10	13	0,8	M6X30
2S VDCN - 26	1000	DIN EN 10130	2X25	M8/M10	13	0,8	M6X30
2S VDCN - 27	1120	DIN EN 10130	2X25	M8/M10	13	0,8	M6X30
2S VDCN - 28	1250	DIN EN 10130	2X25	M8/M10	13	0,8	M6X30
2S VDCN - 29	1400	DIN EN 10130	2X25	M8/M10	13	0,8	M6X30

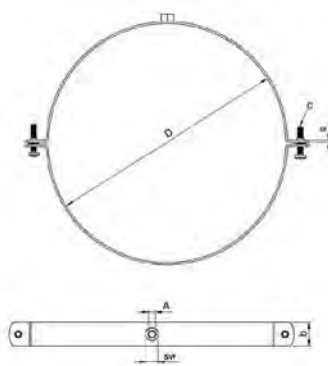
Features and Benefits

- Two-piece pie clamp with lining.
- Locking screw secured against loss.
- Better adaptation to different pipe cross sections due to two locking screws.
- Electro zinc plated (5-10 µm).
- Noise insulating lining EPDM rubber.
- Noise insulation according to DIN 4109.
- Locking screw: Flat head screw with combination recessed head.
- Fire behavior DIN 4102 class B2.
- Connecting nut with combination thread M8/M10.

Rubber Profiles

- Extruded profile.
- Chlorine-free
- Resistant to ozone UV, weather and sea water
- Temperature resistance from - 50C to 110C
- Shore A hardness 50±5

2S VENTILATION DUCT CLAMPS (Without Rubber & Nuts)



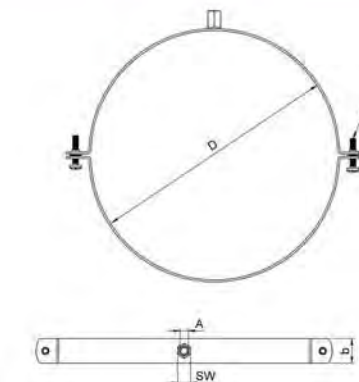
Technical Specifications

Product Code	Size (Inch)	Material	Material Dimension (bxs)	Hanging Nuts (A)	SW	Recommended Load (kN)	Connection Screw (C)
2S VDWORN - 01	80	DIN EN 10130	1,5X20	M8	13	0,6	M6X25
2S VDWORN - 02	90	DIN EN 10130	1,5X20	M8	13	0,6	M6X25
2S VDWORN - 03	100	DIN EN 10130	1,5X20	M8	13	0,6	M6X25
2S VDWORN - 04	112	DIN EN 10130	1,5X20	M8	13	0,6	M6X25
2S VDWORN - 05	125	DIN EN 10130	1,5X20	M8	13	0,6	M6X25
2S VDWORN - 06	140	DIN EN 10130	1,5X20	M8	13	0,6	M6X25
2S VDWORN - 07	150	DIN EN 10130	1,5X20	M8	13	0,6	M6X25
2S VDWORN - 08	160	DIN EN 10130	1,5X20	M8	13	0,6	M6X25
2S VDWORN - 09	180	DIN EN 10130	1,5X20	M8	13	0,6	M6X25
2S VDWORN - 10	200	DIN EN 10130	1,5X20	M8	13	0,6	M6X25
2S VDWORN - 11	224	DIN EN 10130	2X25	M8	13	0,6	M6X30
2S VDWORN - 12	250	DIN EN 10130	2X25	M8	13	0,6	M6X30
2S VDWORN - 13	280	DIN EN 10130	2X25	M8	13	0,6	M6X30
2S VDWORN - 14	300	DIN EN 10130	2X25	M8	13	0,6	M6X30
2S VDWORN - 15	315	DIN EN 10130	2X25	M8	13	0,6	M6X30
2S VDWORN - 16	355	DIN EN 10130	2X25	M8	13	0,6	M6X30
2S VDWORN - 17	400	DIN EN 10130	2X25	M8	13	0,6	M6X30
2S VDWORN - 18	450	DIN EN 10130	2X25	M8	13	0,6	M6X30
2S VDWORN - 19	500	DIN EN 10130	2X25	M8	13	0,8	M6X30
2S VDWORN - 20	560	DIN EN 10130	2X25	M8	13	0,8	M6X30
2S VDWORN - 21	600	DIN EN 10130	2X25	M8	13	0,8	M6X30
2S VDWORN - 22	630	DIN EN 10130	2X25	M8	13	0,8	M6X30
2S VDWORN - 23	710	DIN EN 10130	2X25	M8	13	0,8	M6X30
2S VDWORN - 24	800	DIN EN 10130	2X25	M8	13	0,8	M6X30
2S VDWORN - 25	900	DIN EN 10130	2X25	M8	13	0,8	M6X30
2S VDWORN - 26	1000	DIN EN 10130	2X25	M8	13	0,8	M6X30
2S VDWORN - 27	1120	DIN EN 10130	2X25	M8	13	0,8	M6X30
2S VDWORN - 28	1250	DIN EN 10130	2X25	M8	13	0,8	M6X30
2S VDWORN - 29	1400	DIN EN 10130	2X25	M8	13	0,8	M6X30

Features and Benefits

- Two-piece pipe clamp with lining.
- Locking screw secured against loss.
- Better adaptation to different pipe cross sections due to two locking screws.
- Electro zinc plated (5-10 µm).
- Locking screw: Flat head screw with combination recessed head.
- Fire behavior DIN 4102 class B2.

2S VENTILATION DUCT CLAMPS (Without Rubber & Combi Nuts)



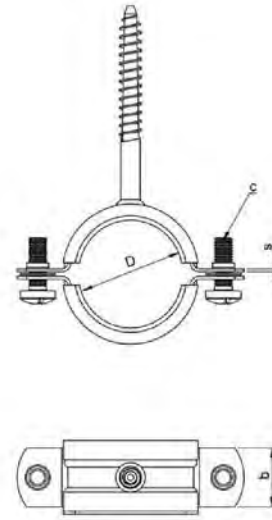
Technical Specifications

Product Code	Size (Inch)	Material	Material Dimension (bxs)	Hanging Nuts (A)	SW	Recommended Load (kN)	Connection Screw (C)
2S VDWORCN - 01	80	DIN EN 10130	1,5X20	M8/M10	13	0,6	M6X25
2S VDWORCN - 02	90	DIN EN 10130	1,5X20	M8/M10	13	0,6	M6X25
2S VDWORCN - 03	100	DIN EN 10130	1,5X20	M8/M10	13	0,6	M6X25
2S VDWORCN - 04	112	DIN EN 10130	1,5X20	M8/M10	13	0,6	M6X25
2S VDWORCN - 05	125	DIN EN 10130	1,5X20	M8/M10	13	0,6	M6X25
2S VDWORCN - 06	140	DIN EN 10130	1,5X20	M8/M10	13	0,6	M6X25
2S VDWORCN - 07	150	DIN EN 10130	1,5X20	M8/M10	13	0,6	M6X25
2S VDWORCN - 08	160	DIN EN 10130	1,5X20	M8/M10	13	0,6	M6X25
2S VDWORCN - 09	180	DIN EN 10130	1,5X20	M8/M10	13	0,6	M6X25
2S VDWORCN - 10	200	DIN EN 10130	1,5X20	M8/M10	13	0,6	M6X25
2S VDWORCN - 11	224	DIN EN 10130	2X25	M8/M10	13	0,6	M6X30
2S VDWORCN - 12	250	DIN EN 10130	2X25	M8/M10	13	0,6	M6X30
2S VDWORCN - 13	280	DIN EN 10130	2X25	M8/M10	13	0,6	M6X30
2S VDWORCN - 14	300	DIN EN 10130	2X25	M8/M10	13	0,6	M6X30
2S VDWORCN - 15	315	DIN EN 10130	2X25	M8/M10	13	0,6	M6X30
2S VDWORCN - 16	355	DIN EN 10130	2X25	M8/M10	13	0,6	M6X30
2S VDWORCN - 17	400	DIN EN 10130	2X25	M8/M10	13	0,6	M6X30
2S VDWORCN - 18	450	DIN EN 10130	2X25	M8/M10	13	0,6	M6X30
2S VDWORCN - 19	500	DIN EN 10130	2X25	M8/M10	13	0,8	M6X30
2S VDWORCN - 20	560	DIN EN 10130	2X25	M8/M10	13	0,8	M6X30
2S VDWORCN - 21	600	DIN EN 10130	2X25	M8/M10	13	0,8	M6X30
2S VDWORCN - 22	630	DIN EN 10130	2X25	M8/M10	13	0,8	M6X30
2S VDWORCN - 23	710	DIN EN 10130	2X25	M8/M10	13	0,8	M6X30
2S VDWORCN - 24	800	DIN EN 10130	2X25	M8/M10	13	0,8	M6X30
2S VDWORCN - 25	900	DIN EN 10130	2X25	M8/M10	13	0,8	M6X30
2S VDWORCN - 26	1000	DIN EN 10130	2X25	M8/M10	13	0,8	M6X30
2S VDWORCN - 27	1120	DIN EN 10130	2X25	M8/M10	13	0,8	M6X30
2S VDWORCN - 28	1250	DIN EN 10130	2X25	M8/M10	13	0,8	M6X30
2S VDWORCN - 29	1400	DIN EN 10130	2X25	M8/M10	13	0,8	M6X30

Features and Benefits

- Two-piece pipe clamp with lining.
- Locking screw secured against loss.
- Better adaptation to different pipe cross sections due to two locking screws.
- Electro zinc plated (5-10 µm).
- Locking screw: Flat head screw with combination recessed head.
- Fire behavior DIN 4102 class B2.
- Connecting nut with combination thread M8/M10.

2S PIPE CLAMPS (With Welding Wood Screw & Rubber Profile)



Technical Specifications

Product Code	Size (Inch)	Tighten Range D(mm)	Material Dimension (bxs)	H1xe	Recommended Load (kN)	Connection Screw (C)
2S SWS - 01	1/4"	12-15	1,5X20	7x70	0,8	M6x18
2S SWS - 02	3/8"	15-19	1,5X20	7x70	0,8	M6x18
2S SWS - 03	1/2"	20-24	1,5X20	7x70	0,8	M6x18
2S SWS - 04	3/4"	23-28	1,5X20	7x70	0,8	M6x18
2S SWS - 05	1"	31-36	1,5X20	7x70	0,8	M6x18
2S SWS - 06	1 1/4"	38-44	1,5X20	7x70	0,8	M6x18
2S SWS - 07	1 1/2"	44-50	1,5X20	7x70	0,8	M6x18
2S SWS - 08	-	54-58	1,5X20	7x70	0,8	M6x18
2S SWS - 09	2"	59-65	1,5X20	7x70	0,8	M6x18
2S SWS - 10	-	62-67	1,5X20	7x70	0,8	M6x18
2S SWS - 11	2 1/2"	74-80	2X25	7x70	0,8	M6x25

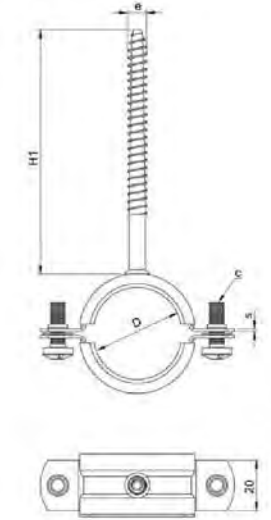
Features and Benefits

- Material: DIN EN 10130
- Two-piece pipe clamp with welded threaded shoulder woodscrew.
- Locking screw secured against loss.
- Better adaptation to different pipe cross sections due to two locking screws.
- Electro zinc plated (5-10 µm).
- Noise insulating lining EPDM rubber.
- Noise insulation according to DIN 4109.
- Locking screw: Flat head screw with combination recessed head.
- Fire behavior DIN 4102 class B2.

Rubber Profiles

- Extruded profile.
- Chlore - free
- Resistant to ozon UV, weather and sea water
- Temperature resistance from - 50C to 110C
- Shore A hardness 50±5

2S PIPE CLAMPS (With Welding Wood Screw & Rubber Profile)



Technical Specifications

Product Code	Size (Inch)	Tighten Range D(mm)	Material Dimension (bxs)	H1xe	Recommended Load (kN)	Connection Screw (C)
2S BWS - 01	1/4"	12-15	1,5X20	7x100	0,8	M6x18
2S BWS - 02	3/8"	15-19	1,5X20	7x100	0,8	M6x18
2S BWS - 03	1/2"	20-24	1,5X20	7x100	0,8	M6x18
2S BWS - 04	3/4"	23-28	1,5X20	7x100	0,8	M6x18
2S BWS - 05	1"	31-36	1,5X20	7x100	0,8	M6x18
2S BWS - 06	1 1/4"	38-44	1,5X20	7x100	0,8	M6x18
2S BWS - 07	1 1/2"	44-50	1,5X20	7x100	0,8	M6x18
2S BWS - 08	-	54-58	1,5X20	7x100	0,8	M6x18
2S BWS - 09	2"	59-65	1,5X20	7x100	0,8	M6x18
2S BWS - 10	-	62-67	1,5X20	7x100	0,8	M6x18
2S BWS - 11	2 1/2"	74-80	2X25	7x100	0,8	M6x25

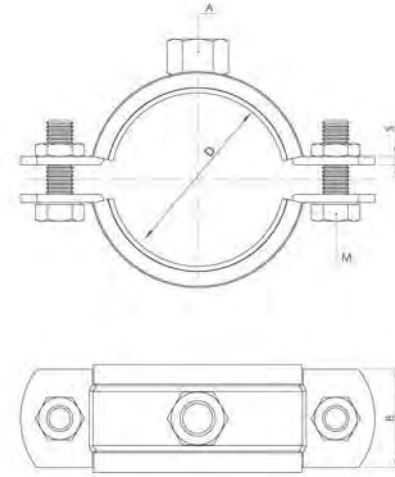
Features and Benefits

- Material: DIN EN 10130
- Two-piece pipe clamp with welded threaded shoulder woodscrew.
- Locking screw secured against loss.
- Better adaptation to different pipe cross sections due to two locking screws.
- Electro zinc plated (5-10 µm).
- Noise insulating lining EPDM rubber.
- Noise insulation according to DIN 4109.
- Locking screw: Flat head screw with combination recessed head.
- Fire behavior DIN 4102 class B2.

Rubber Profiles

- Extruded profile.
- Chlore - free
- Resistant to ozon UV, weather and sea water
- Temperature resistance from - 50C to 110C
- Shore A hardness 50±5

LIGHT HEAVY DUTY PIPE CLAMPS (With Nuts & Rubber Profile)



Technical Specifications

Product Code	Size (Inch)	Tighten Range D (mm)	Material	Material Dimension (bxs)	Hanging Nuts (A)	SW	Connection Bolt	Connection Screw (M)	Recommended Load (kN)
LHDN - 01	2 1/2"	74-80	DIN EN 10130	2x25	M10	17	M8x6,5	M8x25	2
LHDN - 02	3"	83-93	DIN EN 10130	2x25	M10	17	M8x6,5	M8x25	2
LHDN - 03	-	95-103	DIN EN 10130	2x25	M10	17	M8x6,5	M8x25	2
LHDN - 04	4"	108-118	DIN EN 10130	2x25	M10	17	M8x6,5	M8x25	2
LHDN - 05	-	121-127	DIN EN 10130	2x25	M10	17	M8x6,5	M8x25	2
LHDN - 06	5"	132-143	DIN EN 10130	2x25	M10	17	M8x6,5	M8x25	2
LHDN - 07	6"	159-169	DIN EN 10130	2x25	M10	17	M8x6,5	M8x25	2
LHDN - 08	-	198-202	DIN EN 10130	2x25	M10	17	M8x6,5	M8x25	2
LHDN - 09	-	210-215	DIN EN 10130	2x25	M10	17	M8x6,5	M8x25	2
LHDN - 10	8"	216-225	DIN EN 10130	2x25	M10	17	M8x6,5	M8x25	2
LHDN - 11	-	249-254	DIN EN 10130	2x25	M10	17	M8x6,5	M8x25	2

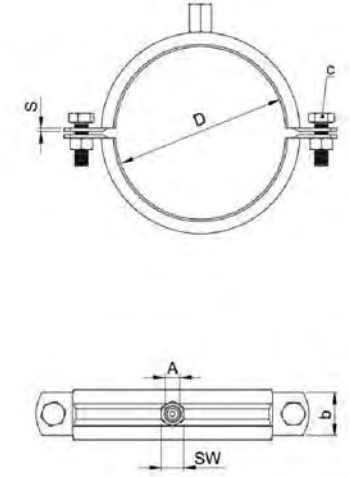
Features and Benefits

- Two part clamps with two locking bolts.
- The breaking load better nominal clamp.
- Better adaptation to different pipe cross sections due to two locking screws.
- Electro zinc plated (5-10 µm).
- Noise insulating lining EPDM rubber.
- Noise insulation according to DIN 4109.
- Locking screw: Flat head screw with combination recessed head.
- Fire behavior DIN 4102 class B2.

Rubber Profiles

- Extruded profile.
- Chlorine - free
- Resistant to ozone UV, weather and sea water
- Temperature resistance from - 50C to 110C
- Shore A hardness 50±5

LIGHT HEAVY DUTY PIPE CLAMPS (With Combi Nuts & Rubber Profile)



Technical Specifications

Product Code	Size (Inch)	Tighten Range D (mm)	Material	Material Dimension (bxs)	Hanging Nuts (A)	SW	Connection Bolt	Connection Screw (C)	Recommended Load (kN)
LHDCN - 01	2 1/2"	74-80	DIN EN 10130	2x25	M8/M10	13	M8x6,5	M8x25	1,5
LHDCN - 02	3"	83-93	DIN EN 10130	2x25	M8/M10	13	M8x6,5	M8x25	1,5
LHDCN - 03	-	95-103	DIN EN 10130	2x25	M8/M10	13	M8x6,5	M8x25	1,5
LHDCN - 04	4"	108-118	DIN EN 10130	2x25	M8/M10	13	M8x6,5	M8x25	1,5
LHDCN - 05	-	121-127	DIN EN 10130	2x25	M8/M10	13	M8x6,5	M8x25	1,5
LHDCN - 06	5"	132-143	DIN EN 10130	2x25	M8/M10	13	M8x6,5	M8x25	1,5
LHDCN - 07	6"	159-169	DIN EN 10130	2x25	M8/M10	13	M8x6,5	M8x25	1,5
LHDCN - 08	-	198-202	DIN EN 10130	2x25	M8/M10	13	M8x6,5	M8x25	1,5
LHDCN - 09	-	210-215	DIN EN 10130	2x25	M8/M10	13	M8x6,5	M8x25	1,5
LHDCN - 10	8"	216-225	DIN EN 10130	2x25	M8/M10	13	M8x6,5	M8x25	1,5
LHDCN - 10	-	249-254	DIN EN 10130	2x25	M8/M10	13	M8x6,5	M8x25	1,5

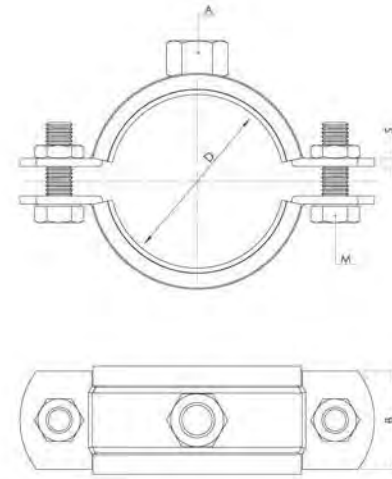
Features and Benefits

- Two part clamps with two locking bolts.
- The breaking load better nominal clamp.
- Better adaptation to different pipe cross sections due to two locking screws.
- Electro zinc plated (5-10 µm).
- Noise insulating lining EPDM rubber.
- Noise insulation according to DIN 4109.
- Locking screw: Flat head screw with combination recessed head.
- Fire behavior DIN 4102 class B2.
- Connecting nut with combination thread M8/M10.

Rubber Profiles

- Extruded profile.
- Chlorine - free
- Resistant to ozone UV, weather and sea water
- Temperature resistance from - 50C to 110C
- Shore A hardness 50±5

HEAVY DUTY PIPE CLAMPS



Technical Specifications

Product Code	Size (Inch)	Tighten Range D (mm)	Material Dimension (bxs)	Hanging Nuts (A)	Connection Screw (M)	Connection Bolt	Recommended Load (kN)
HDN - 01	1/2"	20-24	2,5x30	M12	M8X20	M8x6,5	3
HDN - 02	3/4"	23-28	2,5x30	M12	M8X20	M8x6,5	3
HDN - 03	1"	31-36	2,5x30	M12	M8X20	M8x6,5	3
HDN - 04	1 1/4"	38-44	2,5x30	M12	M8X20	M8x6,5	3
HDN - 05	1 1/2"	48-53	2,5x30	M12	M8X20	M8x6,5	3
HDN - 06	2"	59-66	2,5x30	M12	M8X20	M8x6,5	3
HDN - 07	2 1/2"	74-80	3x30	M12	M10X25	M10X8	3
HDN - 08	3"	87-94	3x30	M12	M10X25	M10X8	3
HDN - 09	4"	108-116	3x30	M12	M10X25	M10X8	3
HDN - 10	5"	135-143	4x40	M16	M12X30	M12X10	3
HDN - 11	6"	162-168	4x40	M16	M12X30	M12X10	3
HDN - 12	8"	206-220	4x40	M16	M12X30	M12X10	3
HDN - 13	10"	260-274	4x40	M16	M12X30	M12X10	3

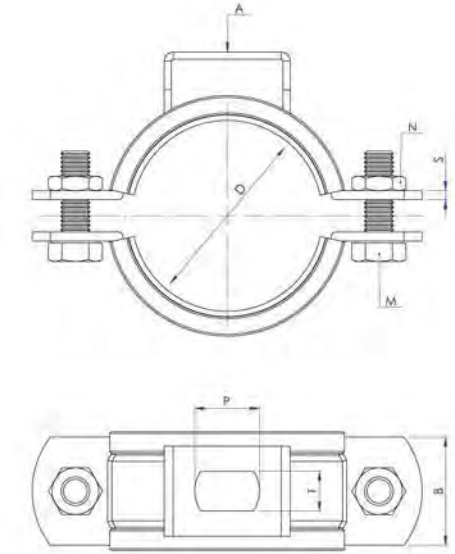
Features and Benefits

- Two-pieces pipe clamps with lining.
- Heavy design.
- Heavy duty pipe clamps used for mounting of pipe to the wall (vertical/horizontal) ceilings and floors.
- Electro zinc plated (5-10 µm).
- Noise insulating lining EPDM rubber.
- Noise insulation according to DIN 4109.
- Fire behavior DIN 4102 class B2.

Rubber Profiles

- Extruded profile.
- Chlorine-free
- Resistant to ozone, UV, weather and sea water
- Temperature resistance from - 50C to 110C
- Shore A hardness 50±5

BRACKET TYPE HEAVY DUTY PIPE CLAMPS



Technical Specifications

Product Code	Size (Inch)	Tighten Range D (mm)	Material Dimension (bxs)	PXT	A	Connection Screw (M)	Connection Bolt	Recommended Load (kN)
BTHD - 01	1/2"	20-24	2,5X30	18X11	3X30	M8X20	M8X6,5	3
BTHD - 02	3/4"	23-28	2,5X30	18X11	3X30	M8X20	M8X6,5	3
BTHD - 03	1"	31-36	2,5X30	18X11	3X30	M8X20	M8X6,5	3
BTHD - 04	1 1/4"	38-44	2,5X30	18X11	3X30	M8X20	M8X6,5	3
BTHD - 05	1 1/2"	48-53	2,5X30	18X11	3X30	M8X20	M8X6,5	3
BTHD - 06	2"	59-66	2,5X30	18X11	3X30	M8X20	M8X6,5	3
BTHD - 07	2 1/2"	74-80	3X30	18X11	3X30	M10X25	M10X8	3
BTHD - 08	3"	87-94	3X30	18X11	3X30	M10X25	M10X8	3
BTHD - 09	4"	108-116	3X30	18X11	3X30	M10X25	M10X8	3
BTHD - 10	5"	135-143	4X40	24X12	4X40	M12X30	M12X10	4
BTHD - 11	6"	162-168	4X40	24X12	4X40	M12X30	M12X10	4
BTHD - 12	8"	206-220	4X40	24X12	4X40	M12X30	M12X10	4
BTHD - 13	10"	260-274	4X40	24X12	4X40	M12X30	M12X10	4

Features and Benefits

- Two-pieces pipe clamps with lining.
- Bracket type Heavy design.
- Heavy duty pipe clamps used for mounting of pipe to the wall (vertical/horizontal) ceilings and floors.
- Electro zinc plated (5-10 µm).
- Noise insulating lining EPDM rubber.
- Noise insulation according to DIN 4109.
- Fire behavior DIN 4102 class B2.

Rubber Profiles

- Extruded profile.
- Chlorine-free
- Resistant to ozone, UV, weather and sea water
- Temperature resistance from - 50C to 110C
- Shore A hardness 50±5

2S PIPE CLAMPS SET PACKAGE (With Nuts & Rubber Profile)



Technical Specifications

Product Code	Size (Inch)	Tighten Range (mm)	Material	Material Dimension (bxs)	Hanging Nuts (A)	SW	Rubber	Hanger Bolt	Plastic Plug	Recommended Load (kN)	Connection Screw (C)
2S SPN - 01	1/4"	12-16	DIN EN 10130	1,50X20	M8	13	EPDM	M8X80	10X50	1	M6X18
2S SPN - 02	3/8"	15-19	DIN EN 10130	1,50X20	M8	13	EPDM	M8X80	10X50	1	M6X18
2S SPN - 03	1/2"	20-24	DIN EN 10130	1,50X20	M8	13	EPDM	M8X80	10X50	1	M6X18
2S SPN - 04	3/4"	23-28	DIN EN 10130	1,50X20	M8	13	EPDM	M8X80	10X50	1	M6X18
2S SPN - 05	1"	31-36	DIN EN 10130	1,50X20	M8	13	EPDM	M8X80	10X50	1	M6X18
2S SPN - 06	1 1/4"	38-44	DIN EN 10130	1,50X20	M8	13	EPDM	M8X80	10X50	1	M6X18
2S SPN - 07	1 1/2"	44-50	DIN EN 10130	1,50X20	M8	13	EPDM	M8X80	10X50	1	M6X18
2S SPN - 08	-	54-58	DIN EN 10130	1,50X20	M8	13	EPDM	M8X80	10X50	1	M6X18
2S SPN - 09	2"	59-65	DIN EN 10130	1,50X20	M8	13	EPDM	M8X80	10X50	1	M6X18
2S SPN - 10	-	62-67	DIN EN 10130	1,50X20	M10	17	EPDM	M10X100	12X60	1,5	M6X25
2S SPN - 11	2 1/2"	74-80	DIN EN 10130	2,0X25	M10	17	EPDM	M10X100	12X60	1,5	M6X25
2S SPN - 12	3"	83-93	DIN EN 10130	2,0X25	M10	17	EPDM	M10X100	12X60	1,5	M6X25
2S SPN - 13	-	95-103	DIN EN 10130	2,0X25	M10	17	EPDM	M10X100	12X60	1,5	M6X25
2S SPN - 14	4"	108-118	DIN EN 10130	2,0X25	M10	17	EPDM	M10X100	12X60	2	M6X25
2S SPN - 15	-	121-127	DIN EN 10130	2,0X25	M10	17	EPDM	M10X100	12X60	2	M6X25
2S SPN - 16	5"	132-143	DIN EN 10130	2,0X25	M10	17	EPDM	M10X100	12X60	2	M6X25
2S SPN - 17	6"	159-169	DIN EN 10130	2,0X25	M10	17	EPDM	M10X100	12X60	2	M6X25
2S SPN - 18	-	198-202	DIN EN 10130	2,0X25	M10	17	EPDM	M10X100	12X60	2	M6X25
2S SPN - 19	-	210-215	DIN EN 10130	2,0X25	M10	17	EPDM	M10X100	12X60	2	M6X25
2S SPN - 20	8"	216-225	DIN EN 10130	2,0X25	M10	17	EPDM	M10X100	12X60	2	M6X25

Features and Benefits

- Two-piece pipe clamps with lining.
- Locking screw secured against loss.
- Better adaptation to different pipe cross sections due to two locking screws.
- Electro zinc plated (5-10 µm).
- Noise insulating lining EPDM rubber.
- Noise insulation according to DIN 4109.
- Locking screw: Flat head screw with combination recessed head.
- Fire behavior DIN 4102 class B2.
- Hanger Bolt and Plastic Plug should be used for fixing
- Easy and Safe Assembly.

Rubber Profiles

- Extruded profile.
- Chlorine - free
- Resistant to ozone UV, weather and sea water
- Temperature resistance from - 50C to 110C
- Shore A hardness 50±5

2S PIPE CLAMPS SET PACKAGE (With Combi Nuts & Rubber Profile)



Technical Specifications

Product Code	Size (Inch)	Tighten Range (mm)	Material	Material Dimension (bxs)	Hanging Nuts (A)	SW	Rubber	Hanger Bolt	Plastic Plug	Recommended Load (kN)	Connection Screw (C)
2S SPCN - 01	1/4"	12-15	DIN EN 10130	1,50X20	M8/M10	13	EPDM	M8X80	10X50	1	M6X18
2S SPCN - 02	3/8"	15-19	DIN EN 10130	1,50X20	M8/M10	13	EPDM	M8X80	10X50	1	M6X18
2S SPCN - 03	1/2"	20-24	DIN EN 10130	1,50X20	M8/M10	13	EPDM	M8X80	10X50	1	M6X18
2S SPCN - 04	3/4"	23-28	DIN EN 10130	1,50X20	M8/M10	13	EPDM	M8X80	10X50	1	M6X18
2S SPCN - 05	1"	31-36	DIN EN 10130	1,50X20	M8/M10	13	EPDM	M8X80	10X50	1	M6X18
2S SPCN - 06	1 1/4"	38-44	DIN EN 10130	1,50X20	M8/M10	13	EPDM	M8X80	10X50	1	M6X18
2S SPCN - 07	1 1/2"	44-50	DIN EN 10130	1,50X20	M8/M10	13	EPDM	M8X80	10X50	1	M6X18
2S SPCN - 08	-	54-58	DIN EN 10130	1,50X20	M8/M10	13	EPDM	M8X80	10X50	1	M6X18
2S SPCN - 09	2"	59-65	DIN EN 10130	1,50X20	M8/M10	13	EPDM	M8X80	10X50	1	M6X18
2S SPCN - 10	-	62-67	DIN EN 10130	1,50X20	M8/M10	17	EPDM	M10X100	12X60	1,5	M6X25
2S SPCN - 11	2 1/2"	74-80	DIN EN 10130	2,0X25	M8/M10	17	EPDM	M10X100	12X60	1,5	M6X25
2S SPCN - 12	3"	83-93	DIN EN 10130	2,0X25	M8/M10	17	EPDM	M10X100	12X60	1,5	M6X25
2S SPCN - 13	-	95-103	DIN EN 10130	2,0X25	M8/M10	17	EPDM	M10X100	12X60	1,5	M6X25
2S SPCN - 14	4"	108-118	DIN EN 10130	2,0X25	M8/M10	17	EPDM	M10X100	12X60	2	M6X25
2S SPCN - 15	-	121-127	DIN EN 10130	2,0X25	M8/M10	17	EPDM	M10X100	12X60	2	M6X25
2S SPCN - 16	5"	132-143	DIN EN 10130	2,0X25	M8/M10	17	EPDM	M10X100	12X60	2	M6X25
2S SPCN - 17	6"	159-169	DIN EN 10130	2,0X25	M8/M10	17	EPDM	M10X100	12X60	2	M6X25
2S SPCN - 18	-	198-202	DIN EN 10130	2,0X25	M8/M10	17	EPDM	M10X100	12X60	2	M6X25
2S SPCN - 19	-	210-215	DIN EN 10130	2,0X25	M8/M10	17	EPDM	M10X100	12X60	2	M6X25
2S SPCN - 20	8"	216-225	DIN EN 10130	2,0X25	M8/M10	17	EPDM	M10X100	12X60	2	M6X25

Features and Benefits

- Two-piece pipe clamps with lining.
- Locking screw secured against loss.
- Better adaptation to different pipe cross sections due to two locking screws.
- Electro zinc plated (5-10 µm).
- Noise insulating lining EPDM rubber.
- Noise insulation according to DIN 4109.
- Locking screw: Flat head screw with combination recessed head.
- Fire behavior DIN 4102 class B2.
- Hanger Bolt and Plastic Plug should be used for fixing
- Easy and Safe Assembly.

Rubber Profiles

- Extruded profile.
- Chlorine - free
- Resistant to ozone UV, weather and sea water
- Temperature resistance from - 50C to 110C
- Shore A hardness 50±5

2S PIPE CLAMPS SET PACKAGE (With Nuts & Without Rubber Profile)



Technical Specifications

Product Code	Size (Inch)	Tighten Range D(mm)	Material Dimension (bxs)	Hanging Nuts (A)	SW	Hanger Bolt	Plastic Plug	Breaking Load (kN)	Recommended Load (kN)	Connection Screw (C)
2S SPWORN - 01	3/8"	14-18	DIN EN 10130	1,5X20	M8	13	M8X80	10X50	1	M6X18
2S SPWORN - 02	1/2"	20-24	DIN EN 10130	1,5X20	M8	13	M8X80	10X50	1	M6X18
2S SPWORN - 03	3/4"	23-28	DIN EN 10130	1,5X20	M8	13	M8X80	10X50	1	M6X18
2S SPWORN - 04	1"	32-35	DIN EN 10130	1,5X20	M8	13	M8X80	10X50	1	M6X18
2S SPWORN - 05	1 1/4"	39-44	DIN EN 10130	1,5X20	M8	13	M8X80	10X50	1	M6X18
2S SPWORN - 06	1 1/2"	44-53	DIN EN 10130	1,5X20	M8	13	M8X80	10X50	1	M6X18
2S SPWORN - 07	2"	56-65	DIN EN 10130	1,5X20	M8	13	M8X80	10X50	1	M6X18
2S SPWORN - 08	-	62-69	DIN EN 10130	1,5X20	M8	13	M8X80	10X50	1	M6X18
2S SPWORN - 09	2 1/2"	76-84	DIN EN 10130	2X25	M10	17	M10X100	12X60	1,5	M6X18
2S SPWORN - 10	3"	82-92	DIN EN 10130	2X25	M10	17	M10X100	12X60	1,5	M6X18
2S SPWORN - 11	-	95-103	DIN EN 10130	2X25	M10	17	M10X100	12X60	1,5	M6X25
2S SPWORN - 12	4"	107-115	DIN EN 10130	2X25	M10	17	M10X100	12X60	1,5	M6X25
2S SPWORN - 13	-	116-126	DIN EN 10130	2X25	M10	17	M10X100	12X60	2	M6X25
2S SPWORN - 14	5"	133-140	DIN EN 10130	2X25	M10	17	M10X100	12X60	2	M6X25
2S SPWORN - 15	6"	159-168	DIN EN 10130	2X25	M10	17	M10X100	12X60	2	M6X25
2S SPWORN - 16	8"	207-215	DIN EN 10130	2X25	M10	17	M10X100	12X60	2	M6X25

Features and Benefits

- Two-piece pipe clamps with lining.
- Locking screw secured against loss.
- Better adaptation to different pipe cross sections due to two locking screws.
- Electro zinc plated (5-10 µm).
- Locking screw: Flat head screw with combination recessed head.
- Fire behavior DIN 4102 class B2.
- Hanger Bolt and Plastic Plug should be used for fixing.
- Easy and Safe Assembly.

2S PIPE CLAMPS SET PACKAGE (With Combi Nuts & Without Rubber Profile)



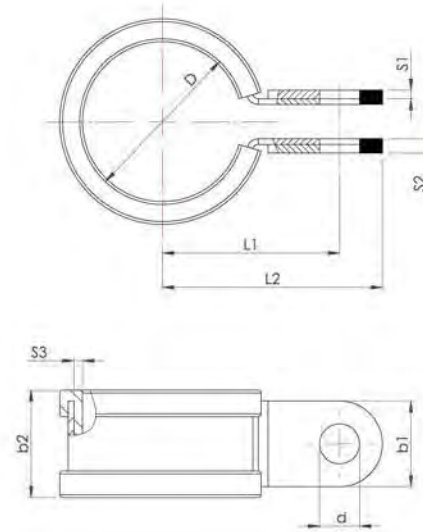
Technical Specifications

Product Code	Size (Inch)	Tighten Range D(mm)	Material Dimension (bxs)	Hanging Nuts (A)	SW	Hanger Bolt	Plastic Plug	Breaking Load (kN)	Recommended Load (kN)	Connection Screw (C)
2S SPWORCN - 01	3/8"	14-18	DIN EN 10130	1,5X20	M8/M10	13	M8X80	10X50	1	M6X18
2S SPWORCN - 02	1/2"	20-24	DIN EN 10130	1,5X20	M8/M10	13	M8X80	10X50	1	M6X18
2S SPWORCN - 03	3/4"	23-28	DIN EN 10130	1,5X20	M8/M10	13	M8X80	10X50	1	M6X18
2S SPWORCN - 04	1"	32-35	DIN EN 10130	1,5X20	M8/M10	13	M8X80	10X50	1	M6X18
2S SPWORCN - 05	1 1/4"	39-44	DIN EN 10130	1,5X20	M8/M10	13	M8X80	10X50	1	M6X18
2S SPWORCN - 06	1 1/2"	44-53	DIN EN 10130	1,5X20	M8/M10	13	M8X80	10X50	1	M6X18
2S SPWORCN - 07	2"	56-65	DIN EN 10130	1,5X20	M8/M10	13	M8X80	10X50	1	M6X18
2S SPWORCN - 08	-	62-69	DIN EN 10130	1,5X20	M8/M10	13	M8X80	10X50	1	M6X18
2S SPWORCN - 09	2 1/2"	76-84	DIN EN 10130	2X25	M8/M10	13	M10X100	12X60	1,5	M6X18
2S SPWORCN - 10	3"	82-92	DIN EN 10130	2X25	M8/M10	13	M10X100	12X60	1,5	M6X18
2S SPWORCN - 11	-	95-103	DIN EN 10130	2X25	M8/M10	13	M10X100	12X60	1,5	M6X25
2S SPWORCN - 12	4"	107-115	DIN EN 10130	2X25	M8/M10	13	M10X100	12X60	1,5	M6X25
2S SPWORCN - 13	-	116-126	DIN EN 10130	2X25	M8/M10	13	M10X100	12X60	2	M6X25
2S SPWORCN - 14	5"	133-140	DIN EN 10130	2X25	M8/M10	13	M10X100	12X60	2	M6X25
2S SPWORCN - 15	6"	159-168	DIN EN 10130	2X25	M8/M10	13	M10X100	12X60	2	M6X25
2S SPWORCN - 16	8"	207-215	DIN EN 10130	2X25	M8/M10	13	M10X100	12X60	2	M6X25

Features and Benefits

- Two-piece pie clamp with lining.
- Locking screw secured against loss.
- Better adaptation to different pipe cross sections due to two locking screws.
- Electro zinc plated (5-10 µm).
- Locking screw: Flat head screw with combination recessed head.
- Connecting nut with combination thread M8/M10.
- Fire behavior DIN 4102 class B2.
- Hanger Bolt and Plastic Plug should be used for fixing.
- Easy and Safe Assembly.

CC E TYPE CLAMPS (With Rubber Profile)



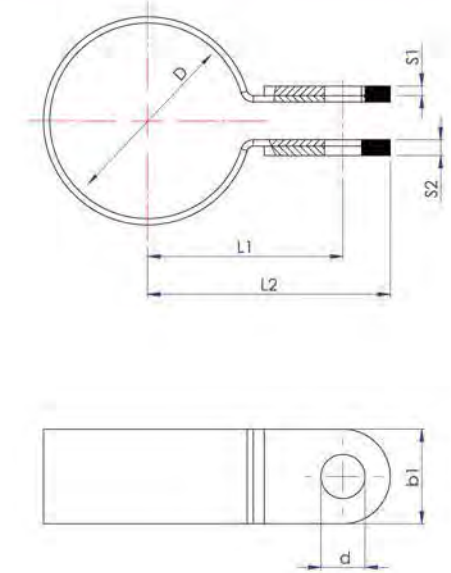
Technical Specifications

Material Width (b)		9	12	15		20		25	
Diameter D(mm)		Ø5 - Ø40	Ø5 - Ø80	Ø5 - Ø14	Ø15 - Ø100	Ø10 - Ø25	Ø26 - Ø130	Ø15 - Ø49	Ø50 - Ø150
Material Thickness S1	W1	0,40	0,50	0,60	0,80	0,80	1,00	1,00	1,25
	W3	0,40	0,50	0,60	0,80	0,80	0,80	1,00	1,00
	W4	0,40	0,50	0,60	0,80	0,80	0,80	1,00	1,00
Total Material Thickness S2	W1	1,40	1,50	1,60	1,80	2,30	2,50	2,50	2,75
	W3	1,40	1,50	1,60	1,60	2,30	2,30	2,50	2,50
	W4	1,40	1,50	1,60	1,60	2,30	2,30	2,50	2,50
Hole Diameter (d)		Ø4,30 (-0/+0,18)	Ø5,30 (-0/+0,18)	Ø6,40 (-0/+0,22)		Ø8,40 (-0/+0,22)		Ø10,50 (-0/+0,28)	
Rubber Thickness (S3)		1 ±0,35	1,2 ±0,35	1,50 ±0,35		2,0 ±0,35		3,0 ±0,35	
Rubber Width (b2)		13 ±0,80	15 ±0,80	19 ±1		25 ±1		31 ±1,3	

Features

- In accordance to DIN 3016.
- Primarily used for fixing hydraulic pipes, hoses and cables.
- The rubber profil absorbs vibration, jolts and also insulates.
- The band around fastening hole is reinforce.
- With rubber profile EPDM - Neopren - Silicone available.

CC B TYPE CLAMPS (Without Rubber Profile)



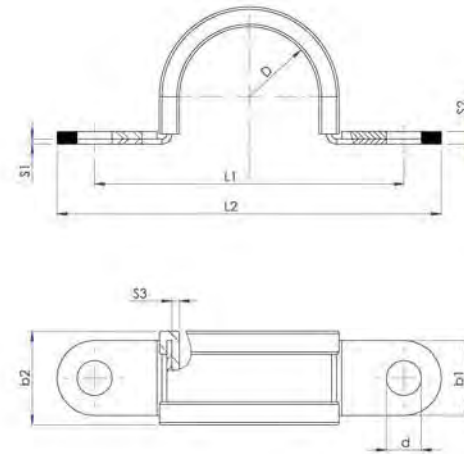
Technical Specifications

Material Width (b)		9	12	15		20		25	
Diameter D(mm)		Ø5 - Ø40	Ø5 - Ø80	Ø5 - Ø14	Ø15 - Ø100	Ø10 - Ø25	Ø26 - Ø130	Ø15 - Ø49	Ø50 - Ø150
Material Thickness S1	W1	0,40	0,50	0,60	0,80	0,80	1,00	1,00	1,25
	W3	0,40	0,50	0,60	0,80	0,80	0,80	1,00	1,00
	W4	0,40	0,50	0,60	0,80	0,80	0,80	1,00	1,00
Total Material Thickness S2	W1	1,40	1,50	1,60	1,80	2,30	2,50	2,50	2,75
	W3	1,40	1,50	1,60	1,60	2,30	2,30	2,50	2,50
	W4	1,40	1,50	1,60	1,60	2,30	2,30	2,50	2,50
Hole Diameter (d)		Ø4,30 (-0/+0,18)	Ø5,30 (-0/+0,18)	Ø6,40 (-0/+0,22)		Ø8,40 (-0/+0,22)		Ø10,50 (-0/+0,28)	

Features and Benefits

- Our connection clamps are DIN 3016 standart can be used for fixing hydraulic pipes, hoses and cable.
- The band around fastening hole is reinforced.

CC F TYPE CLAMPS (With Rubber Profile)



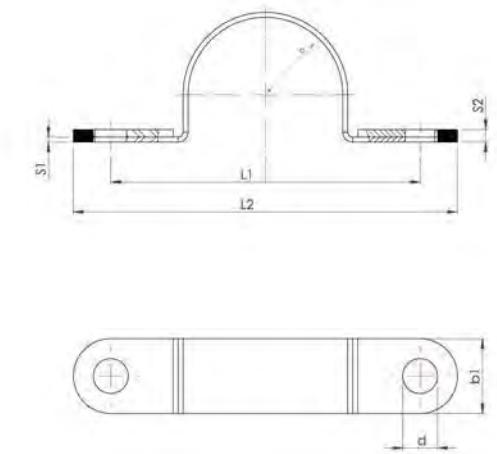
Technical Specifications

Material Width (b)		9	12	15		20		25	
Diameter D(mm)		Ø5 - Ø40	Ø5 - Ø80	Ø5 - Ø14	Ø15 - Ø100	Ø10 - Ø25	Ø26 - Ø130	Ø15 - Ø49	Ø50 - Ø150
Material Thickness S1	W1	0,40	0,50	0,60	0,80	0,80	1,00	1,00	1,25
	W3	0,40	0,50	0,60	0,80	0,80	0,80	1,00	1,00
	W4	0,40	0,50	0,60	0,80	0,80	0,80	1,00	1,00
Total Material Thickness S2	W1	1,40	1,50	1,60	1,80	2,30	2,50	2,50	2,75
	W3	1,40	1,50	1,60	1,60	2,30	2,30	2,50	2,50
	W4	1,40	1,50	1,60	1,60	2,30	2,30	2,50	2,50
Hole Diameter (d)		Ø4,30	Ø5,30	Ø6,40		Ø8,40		Ø10,50	
Hole Axis Distance - E		(D/2)+5,70 x2	(D/2)+8 x2	(D/2)+11,20 x2		(D/2)+14,50 x2		(D/2)+17,50 x2	
Rubber Thickness (S3)		1 ±0,35	1,2 ±0,35	1,50 ±0,35		2,0 ±0,35		3,0 ±0,35	
Rubber Width (b2)		13 ±0,8	15 ±0,8	19 ±1		25 ±1		31 ±1,3	

Features

- In accordance to DIN 3016.
- Primarily used for fixing hydraulic pipes, hoses and cables.
- The rubber profil absorbs vibration, jolts and also insulates.
- The band around fastening hole is reinforce.
- With rubber profile EPDM - Neopren - Silicone available.

CC C TYPE CLAMPS (Without Rubber Profile)



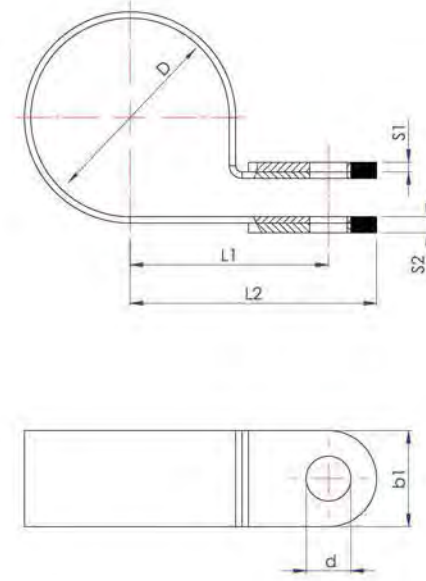
Technical Specifications

Material Width (b)		9	12	15		20		25	
Diameter D(mm)		Ø5 - Ø40	Ø5 - Ø80	Ø5 - Ø14	Ø15 - Ø100	Ø10 - Ø25	Ø26 - Ø130	Ø15 - Ø49	Ø50 - Ø150
Material Thickness S1	W1	0,40	0,50	0,60	0,80	0,80	1,00	1,00	1,25
	W3	0,40	0,50	0,60	0,80	0,80	0,80	1,00	1,00
	W4	0,40	0,50	0,60	0,80	0,80	0,80	1,00	1,00
Total Material Thickness S2	W1	1,40	1,50	1,60	1,80	2,30	2,50	2,50	2,75
	W3	1,40	1,50	1,60	1,60	2,30	2,30	2,50	2,50
	W4	1,40	1,50	1,60	1,60	2,30	2,30	2,50	2,50
Hole Diameter (d)		Ø4,30	Ø5,30	Ø6,40		Ø8,40		Ø10,50	
Hole Axis Distance - E		(D/2)+4,70 x2	(D/2)+6,80 x2	(D/2)+9,70 x2		(D/2)+12,50 x2		(D/2)+14,50 x2	

Features

- In accordance to DIN 3016
- Primarily used for fixing hydraulic pipes, hoses and cable.
- The band around fastening hole is reinforced.

CC A CLAMPS (Without Rubber Profile)



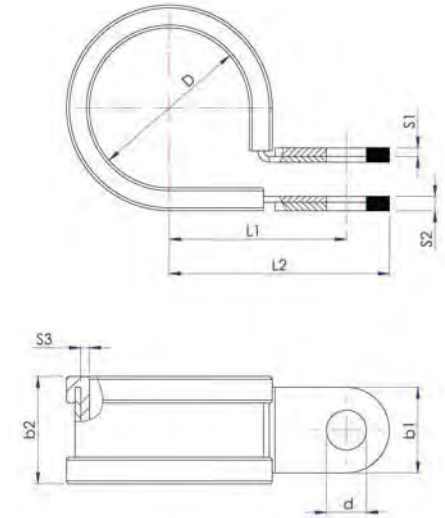
Technical Specifications

Material Width (b)		9	12	15		20		25	
Diameter D(mm)		Ø5 - Ø40	Ø5 - Ø80	Ø5 - Ø14	Ø15 - Ø100	Ø10 - Ø25	Ø26 - Ø130	Ø15 - Ø49	Ø50 - Ø150
Material Thickness S1	W1	0,40	0,40	0,60	0,80	0,80	1,00	1,00	1,25
	W3	0,40	0,40	0,60	0,60	0,80	0,80	1,00	1,00
	W4	0,40	0,40	0,60	0,60	0,80	0,80	1,00	1,00
Total Material Thickness S2	W1	1,40	1,50	1,60	1,80	1,80	2,50	2,50	2,75
	W3	1,40	1,50	1,60	1,60	1,60	2,30	2,50	2,50
	W4	1,40	1,50	1,60	1,60	1,60	2,30	2,50	2,50
Hole Diameter (d)		Ø4,30	Ø5,30	Ø6,40		Ø8,40		Ø10,50	
Distance - L1		(D/2)+4,7	(D/2)+6,8	(D/2)+9,7		(D/2)+12,5		(D/2)+14,5	
Distance - L2		(D/2)+9,2	(D/2)+13	(D/2)+17,2		(D/2)+22,5		(D/2)+27	

Features and Benefits

- Our connection clamps are DIN 3016 standard can be used for fixing hydraulic pipes, hoses and cables.
- The band around fastening hole is reinforced.

CC D CLAMPS (With Rubber Profile)



Technical Specifications

Material Width (b)		9	12	15		20		25	
Diameter D(mm)		Ø5 - Ø40	Ø5 - Ø80	Ø5 - Ø14	Ø15 - Ø100	Ø10 - Ø25	Ø26 - Ø130	Ø15 - Ø49	Ø50 - Ø150
Material Thickness S1	W1	0,40	0,40	0,60	0,80	0,80	1,00	1,00	1,25
	W3	0,40	0,40	0,60	0,60	0,80	0,80	1,00	1,00
	W4	0,40	0,40	0,60	0,60	0,80	0,80	1,00	1,00
Total Material Thickness S2	W1	1,40	1,50	1,60	1,80	2,30	2,50	2,50	2,75
	W3	1,40	1,50	1,60	1,60	2,30	2,30	2,50	2,50
	W4	1,40	1,50	1,60	1,60	2,30	2,30	2,50	2,50
Hole Diameter (d)		Ø4,30	Ø5,30	Ø6,40		Ø8,40		Ø10,50	
Distance - L1		(D/2)+5,7	(D/2)+8	(D/2)+11,2		(D/2)+14,5		(D/2)+17,5	
Distance - L2		(D/2)+10,2	(D/2)+14	(D/2)+18,7		(D/2)+24,5		(D/2)+30	
Rubber Thickness (S3)		1 > 0,35	1,2 > 0,35	1,5 > 0,35		2,0 > 0,35		3,0 > 0,35	
Rubber Width (b2)		13 > 0,8	15 > 0,8	19 > 1		25 > 1		31 > 1,3	

Features and Benefits

- Our connection clamps are DIN 3016 standard can be used for fixing hydraulic pipes, hoses and cable.
- The rubber profile is an excellent insulator and absorbs and absorbs jolts and vibrations.
- The band around fastening hole is reinforced.

HOSE HEAVY DUTY CLAMPS



Technical Specifications

SIZE		TELFORM CODE			M (mm)	L (mm)	B (mm)	S (mm)
mm	INCH	W1	W2	W4				
17*19	11/16 - 3/4	HHD-103	HHD-203	HHD-403	M6	8	18	0,8
19*21	3/4 - 13/16	HHD-104	HHD-204	HHD-404				
21*23	13/16 - 29/32	HHD-105	HHD-205	HHD-405				
23*25	29/32 - 1	HHD-106	HHD-206	HHD-406				
25*27	1 - 1 1/16	HHD-107	HHD-207	HHD-407				
27*29	1 1/16 - 1 5/32	HHD-108	HHD-208	HHD-408				
29*31	1 5/32 - 1 7/32	HHD-109	HHD-209	HHD-409				
31*34	1 7/32 - 1 5/16	HHD-110	HHD-210	HHD-410				
34*37	1 5/16 - 1 7/16	HHD-111	HHD-211	HHD-411				
37*40	1 7/16 - 1 9/16	HHD-112	HHD-212	HHD-412				
40*43	1 9/16 - 1 11/16	HHD-113	HHD-213	HHD-413	M7	10	20	1
43*47	1 11/16 - 1 7/8	HHD-114	HHD-214	HHD-414				
47*51	1 7/8 - 2	HHD-115	HHD-215	HHD-415				
51*55	2 - 2 5/32	HHD-116	HHD-216	HHD-416				
55*59	2 5/32 - 2 5/16	HHD-117	HHD-217	HHD-417				
59*63	2 5/16 - 2 1/2	HHD-118	HHD-218	HHD-418				
63*68	2 1/2 - 2 11/16	HHD-119	HHD-219	HHD-419				
68*73	2 11/16 - 2 7/8	HHD-120	HHD-220	HHD-420				
73*79	2 7/8 - 3 1/8	HHD-121	HHD-221	HHD-421				
79*85	3 1/8 - 3 11/32	HHD-122	HHD-222	HHD-422				
85*91	3 11/32 - 3 9/16	HHD-123	HHD-223	HHD-423	M8	13	25	1,2
91*97	3 9/16 - 3 13/16	HHD-124	HHD-224	HHD-424				
97*104	3 13/16 - 4 3/32	HHD-125	HHD-225	HHD-425				
104*112	4 3/32 - 4 3/8	HHD-126	HHD-226	HHD-426				
112*121	4 3/8 - 4 3/4	HHD-127	HHD-227	HHD-427				
121*130	4 3/4 - 5 1/8	HHD-128	HHD-228	HHD-428				
130*140	5 1/8 - 5 1/2	HHD-129	HHD-229	HHD-429				
140*150	5 1/2 - 5 7/8	HHD-130	HHD-230	HHD-430				
150*162	5 7/8 - 6 3/8	HHD-131	HHD-231	HHD-431				
162*174	6 3/8 - 6 7/8	HHD-132	HHD-232	HHD-432				
174*187	6 7/8 - 7 3/8	HHD-133	HHD-233	HHD-433	M10	15	28	1,5
187*200	7 3/8 - 7 7/8	HHD-134	HHD-234	HHD-434				
200*213	7 7/8 - 8 3/8	HHD-135	HHD-235	HHD-435				
213*226	8 3/8 - 8 7/8	HHD-136	HHD-236	HHD-436				
226*239	8 7/8 - 9 3/8	HHD-137	HHD-237	HHD-437				

Material

	BOLT	TAPE
W1	20 MnB4 - ZINC PLATED	DIN 1624 - ZINC PLATED
W2	20MnB4 - ZINC PLATED	AISI 430 STAINLESS STEEL
W4	AISI 304 STAINLESS STEEL	AISI 304 STAINLESS STEEL

STANDARD T-BOLT HOSE CLAMPS



Technical Specifications

SIZE		TELFORM CODE		r (mm)	a (mm)	s (mm)	SIZE		TELFORM CODE		r (mm)	a (mm)	s (mm)
mm	INCH	W2	W4				mm	W2	W4				
32*36		STB - 201	STB - 401	1/4"	19	0,8	101*110	STB - 224	STB - 424	1/4"	19	0,8	
35*40		STB - 202	STB - 402				103*111	STB - 225	STB - 425				
38*43		STB - 203	STB - 403				105*113	STB - 226	STB - 426				
41*48		STB - 204	STB - 404				108*116	STB - 227	STB - 427				
44*51		STB - 205	STB - 405				114*122	STB - 228	STB - 428				
48*56		STB - 206	STB - 406				116*124	STB - 229	STB - 429				
51*59		STB - 207	STB - 407				121*129	STB - 230	STB - 430				
54*62		STB - 208	STB - 408				127*135	STB - 231	STB - 431				
57*65		STB - 209	STB - 409				133*141	STB - 232	STB - 432				
60*68		STB - 210	STB - 410				140*148	STB - 233	STB - 433				
63*72		STB - 211	STB - 411				146*154	STB - 234	STB - 434				
67*75		STB - 212	STB - 412				152*160	STB - 235	STB - 435				
70*78		STB - 213	STB - 413				159*167	STB - 236	STB - 436				
73*81		STB - 214	STB - 414				165*173	STB - 237	STB - 437				
76*84		STB - 215	STB - 415				171*180	STB - 238	STB - 438				
77*85		STB - 216	STB - 416				178*186	STB - 239	STB - 439				
79*87		STB - 217	STB - 417				184*192	STB - 240	STB - 440				
82*91		STB - 218	STB - 418				190*198	STB - 241	STB - 441				
86*94		STB - 219	STB - 419				197*205	STB - 242	STB - 442				
89*97		STB - 220	STB - 420				203*211	STB - 243	STB - 443				
90*98		STB - 221	STB - 421	210*218	STB - 244	STB - 444							
92*100		STB - 222	STB - 422	216*224	STB - 245	STB - 445							
95*103		STB - 223	STB - 423										

Material

	BOLT	TAPE
W2	20 MnB4 - ZINC PLATED	AISI 430 STAINLESS STEEL
W4	20 MnB4 - ZINC PLATED	AISI 304 STAINLESS STEEL
W5	AISI 304 STAINLESS STEEL	AISI 304 STAINLESS STEEL

SPRING T-BOLT HOSE CLAMPS



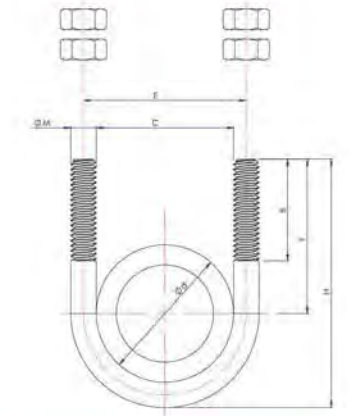
Technical Specifications

SIZE mm	TELFORM CODE		r (mm)	a (mm)	s (mm)	SIZE mm	TELFORM CODE		r (mm)	a (mm)	s (mm)
	W2	W4					W2	W4			
54*62	STB - 201	STB - 401	1/4"	19	0,8	108*116	STB - 220	STB - 420	1/4"	19	0,8
57*65	STB - 202	STB - 402				114*122	STB - 221	STB - 421			
60*68	STB - 203	STB - 403				116*124	STB - 222	STB - 422			
63*72	STB - 204	STB - 404				121*129	STB - 223	STB - 423			
67*75	STB - 205	STB - 405				127*135	STB - 224	STB - 424			
70*78	STB - 206	STB - 406				133*141	STB - 225	STB - 425			
73*81	STB - 207	STB - 407				140*148	STB - 226	STB - 426			
76*84	STB - 208	STB - 408				146*154	STB - 227	STB - 427			
77*85	STB - 209	STB - 409				152*160	STB - 228	STB - 428			
79*87	STB - 210	STB - 410				159*167	STB - 229	STB - 429			
82*91	STB - 211	STB - 411				165*173	STB - 230	STB - 430			
86*94	STB - 212	STB - 412				171*180	STB - 231	STB - 431			
89*97	STB - 213	STB - 413				178*186	STB - 232	STB - 432			
90*98	STB - 214	STB - 414				184*192	STB - 233	STB - 433			
92*100	STB - 215	STB - 415				190*198	STB - 234	STB - 434			
95*103	STB - 216	STB - 416				197*205	STB - 235	STB - 435			
101*110	STB - 217	STB - 417				203*211	STB - 236	STB - 436			
103*111	STB - 218	STB - 418				210*218	STB - 237	STB - 437			
105*113	STB - 219	STB - 419				216*224	STB - 238	STB - 438			

Material

	BOLT	TAPE
W2	20 MnB4 - ZINC PLATED	AISI 430 STAINLESS STEEL
W4	20 MnB4 - ZINC PLATED	AISI 304 STAINLESS STEEL

U BOLT

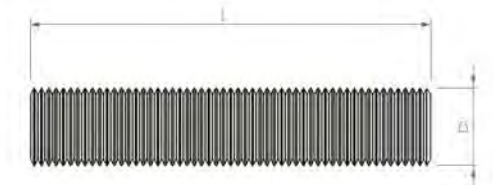


Telform Code	M	Q (")	Q d mm	B	F	H	C	E
UB - 01	M6	1/2"	21,3	30	32	60	24	30
UB - 02	M6	3/4"	26,9	30	39	60	30	36
UB - 03	M8	1"	33,7	30	44	70	36	44
UB - 04	M8	1 1/4"	42,4	40	49	80	46	54
UB - 05	M8	1 1/2"	48,3	50	56	90	52	60
UB - 06	M10	2"	60,3	50	58	100	64	74
UB - 07	M10	2 1/2"	76,1	50	71	120	78	88
UB - 08	M12	3"	88,9	60	81	140	94	106
UB - 09	M12	3 1/2"	101,6	65	85	150	106	118
UB - 10	M12	4"	114,3	65	89	160	118	130
UB - 11	M16	5"	139,7	65	115	200	146	158
UB - 12	M16	6"	165,1	90	118	220	172	188
UB - 13	M16	8"	219	90	142	270	224	240
UB - 14	M16	10"	273	100	169	324	278	294
UB - 15	M16	12"	324	100	200	380	328	344
UB - 16	M18	14"	355,6	100	215	413	360	378
UB - 17	M20	16"	406,4	120	242	470	415	435

ROD

THREADED ROD

Telform Code	D	L (m)
GJ - 01	M6	1
GJ - 02	M8	1
GJ - 03	M10	1
GJ - 04	M12	1



ANCHOR

TAM ANCHOR (S TYPE)

Telform Code	L2	L1	L	L
ANC-S-01	M8	12	48	43
ANC-S-02	M10	15	55	50
ANC-S-03	M12	18	67	60



Features and Benefits

- Used with bolts and threaded rods at concrete ceiling under high loads.
- Special Usage: Hangin cable duck and connecting ventilation ducks.

DROP IN ANCHOR

Telform Code	L2	L1	L
ANC-DR-01	M8	10	30
ANC-DR-02	M10	12	40
ANC-DR-03	M12	15	50



Features and Benefits

- Providing economic, fast and safe application with short drilling depth.
- Providing self drilling and controlled expansion through the conic nucleus inside.

WEDGE ANCHOR

Telform Code	m	k	L
ANC-WED-01	M8	8	75
ANC-WED-02	M10	10	90
ANC-WED-03	M10	10	150
ANC-WED-04	M12	12	110
ANC-WED-05	M12	12	200
ANC-WED-06	M16	16	145
ANC-WED-07	M16	16	180
ANC-WED-08	M20	20	150
ANC-WED-09	M20	20	180



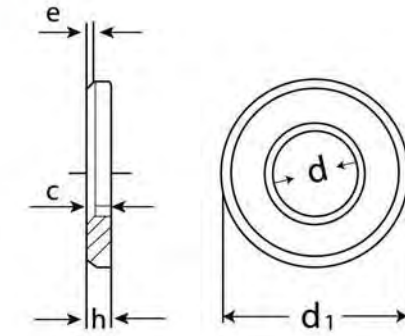
Features and Benefits

- Pronomic easy and quick installation on concrete. Enduring for the drop loads.
- The drill diameter is equal to the anchor diameter that provides easiness at application.

ACCESSORIES

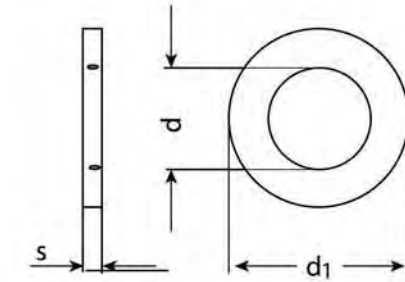
STRUCTURAL WASHER • DIN 6916

For Screw	d	d1	h	c	e approx.
M12	13	24	3	1,6	0,5
M14	15	28	3	1,6	0,5
M16	17	30	4	1,6	1
M18	19	34	4	1,6	1
M20	21	37	4	2	1
M22	23	39	4	2	1
M24	25	44	4	2	1
M27	28	50	5	2,5	1
M30	31	56	5	2,5	1



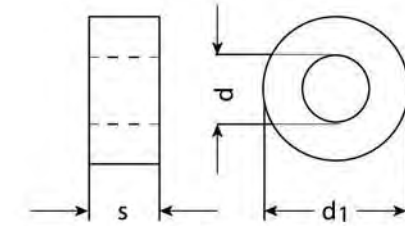
FLAT WASHER • DIN 125

For Screw	d	d1	s
M12	13	24	2,5
M14	15	28	2,5
M16	17	30	3
M18	19	34	3
M20	21	37	3
M22	23	39	3
M24	25	44	4
M27	28	50	4
M30	31	56	4



FLAT WASHER • DIN 7989

For Screw	d	d1	s
M10	11	21	8
M12	14	24	8
M16	18	30	8
M20	22	37	8
M22	24	39	8
M24	26	44	8



WOOD SCREW

For Screw	L2	L1	L
M8X80	20	40	80
M8X100	35	40	100
M8X110	40	40	110
M8X120	45	40	120
	L2	L1	L
M10X100	30	60	100
M10X110	35	60	110
M10X120	40	60	120





QUALITY

The dynamic Quality Control process of Telform which is approved by the customers and in accordance with the ISO norms is able to meet the increasing demand of the market. As a matter of fact, this system is also the guarantee of our products quality.

In return of it's efforts, Telform A.Ş. achieved the ISO 9001:2008 and ISO/TS 16949:2009 Certificates by audir if SGS and awarded with Certificates of Achievement.





TELFORM HOSE CLAMP AND SPRING CO.

Gebze Plastikçiler Organize Sanayi Bölgesi
Atatürk Bulvarı No.30 41400 Gebze - Kocaeli
Tel: +90 262 751 44 20 - Fax: +90 262 751 45 10
info@telform.com.tr - www.telform.com.tr



Basım Tarihi: 10.08.2016 Yeri: MARTI AJANS REKLAM ve MAT. HIZ. LTD. ŞTİ. Tel: 0216 350 51 30