



HiFlux Filtration A/S

# Professional SELF-CLEANING Liquid filter solutions

Auto-line<sup>®</sup> Self-cleaning filters  
XLR-E, XL & XLE



# Auto-line© Automatic Filters

HiFlux Auto-line filters are designed as compact self-cleaning automatic filters with a wide range of applications for various types of liquids. The sturdy construction of the filter makes it well suited for industrial and hygienic applications in which operational reliability and dependability are essential.

The industrial Auto-line filter is used in many sectors such as paint, cooling water, waste water, technical water, heat exchanger, chemicals, resins and energy sector. The hygienic Auto-line filter is used in sectors such as: various cheese products, chocolate, coffee, honey, egg, beverage, oil and fats, sugar and CIP liquids.

The Auto-line filter is used when an automatic continuous cleaning process is required. The impurities are being concentrated in the filter, until it is drained away, while the filter is still in operation the liquid loss due to cleaning is minimal.

The Auto-line filters are also available as R-E versions, where the scraping process is driven by an electric gear-motor or as the P version, where the scraping process is driven by a pneumatic actuator. The E filter versions has an extended pneumatic cylinder, so that cross contamination between the liquid to be filtered and the pneumatic system is avoided.

In the design of the filter it was very important to make the construction robust and reliable. By limiting the number of moving components, wear and maintenance requirements are minimized. The simple construction makes the filter very easy to service, since there is no need for external service assistance or special tools. Furthermore, the compact design of the filter is making it suitable for locations, where the height is a limitation.

Special versions can be supplied according to customer requirements. Typically different connections, temperature and pressure levels.



**Capacity:** 27 - 110 m<sup>3</sup>/h  
**Filtration:** 30 - 2000 µm  
**Pressure:** 10 bar (16 bar)

- **Removes unwanted particles**  
High operational reliability
- **Continuous flow process**  
Self-cleaning application
- **Ensures the quality**  
Increased product safety
- **Eliminates downtime**  
Optimizing earnings
- **Savings on running costs**  
Purchase and exchanging filter bags is no longer needed



XLR-E Industry

XLR-E Hygienic

XL Industry

XLE Hygienic  
Extended

# Auto-line© Automatic Filters - XLR-E

## Product specifications

HiFlux Auto-line filters are manufactured of stainless acid-resistant steel. The filter meets current standards and norms for pressure vessels, complies with the Machinery directive. The filter is CE labelled when the filter complies with relevant legislation.

The filter can be delivered ready for installation, complete with electronic controller and automatic drainvalve.

The Auto-line filter solutions has a wide range of addons, such as: lifting device, sluice system, flush valves, de-air valve, heating jacket, sealings, inverter, pressure sensors, legs, wagons and much more.

<b>Filter vessel and element:</b>	EN 1.4404 steel
<b>Design pressure:</b>	10 bar (16 bar)
<b>Test pressure:</b>	According to EN 13445
<b>Max differential pressure:</b>	3-7 bar
<b>Max working temperature:</b>	150°C (Fluid grp. 2 and vapor pre. < 0,5 bar)
<b>Volume:</b>	35,0 liters
<b>Weight:</b>	120 kg
<b>Power supply:</b>	3 x 230/400V, 50 Hz
<b>Air supply:</b>	6 bar, filtered
<b>Flange connection:</b>	DN100 EN1092-1/11
<b>Drain:</b>	Nipple Rp2 or DN50 PN16 EN1092-1/11
<b>Drain chamber volume:</b>	2,1 liters
<b>Filtration:</b>	30-50-100-150-200-300-500-1000 micron

Customized solutions can be manufactured upon request.

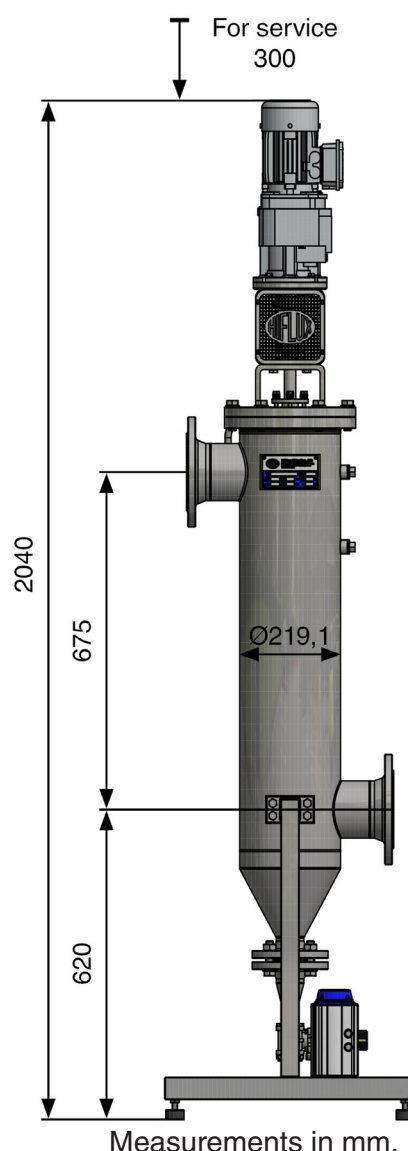
## Capacity (at a viscosity of 1 cSt and as a pressure filter)

Diff. pressure	Strainer area cm <sup>2</sup>	30 µm	50 µm	100 µm	150 µm	200 µm	300 µm	500 µm	1000 µm
0,05	3.300	27	30	50	54	54	54	54	54
0,10	3.300	39	44	68	72	72	72	72	72
0,15	3.300	47	54	84	88	90	90	90	90
0,20	3.300	52	62	100	105	110	110	110	110

Capacity (m<sup>3</sup>/ h) at different filtration rates (µm).

The filter should only be installed as a pressure filter in systems which have a positive overpressure (the surroundings must be taken into consideration). All Auto-line filters are standardly produced according to the pressure equipment directive 2014/68/EU article 4, section 3. The filters can be delivered with approval according to category I, II, III or IV. The Auto-line filters complies with the Machinery directive 2006/42/EC. Auto-line filters can be delivered with approval for use in explosive atmospheres (Equipment-category 2, zone 1) according to directive 2014/34/EU.

The Auto-line filters for hygienic use complies with the Declaration of conformity for Food contact materials EC1935/2004 for all elastomers and polymers. HiFlux Filtration A/S is a member of EHEDG and follows the guidelines from the European Hygienic Equipment Design Group.



# Auto-line© Automatic Filters - XL & XLE

## Product specifications

HiFlux Auto-line filters are manufactured of stainless acid-resistant steel. The filter meets current standards and norms for pressure vessels, complies with the Machinery directive. The filter is CE labelled when the filter complies with relevant legislation.

The filter can be delivered ready for installation, complete with pneumatic controller and automatic drainvalve.

The Auto-line filter solutions has a wide range of addons, such as: lifting device, sluice system, flush valves, de-air valve, heating jacket, sealings, pressure sensors, legs, wagons and much more.

<b>Filter vessel and element:</b>	EN 1.4404 steel
<b>Design pressure:</b>	10 bar (16 bar)
<b>Test pressure:</b>	According to EN 13445
<b>Max differential pressure:</b>	3-7 bar
<b>Max working temperature:</b>	150°C (Fluid grp. 2 and vapor pre. < 0,5 bar)
<b>Volume:</b>	35,0 liters
<b>Weight:</b>	100 kg (XL) 110 kg (XLE)
<b>Power supply for controller:</b>	230 VAC/50 Hz
<b>Air supply:</b>	6 bar, filtered
<b>Flange connection:</b>	DN100 EN1092-1/11
<b>Drain:</b>	Nipple Rp2 or DN50 PN16 EN1092-1/11
<b>Drain chamber volume:</b>	2,1 liters
<b>Filtration:</b>	30-50-100-150-200-300-500-1000 micron

Customized solutions can be manufactured upon request.

## Capacity (at a viscosity of 1 cSt and as a pressure filter)

Diff. pressure	Strainer area cm <sup>2</sup>	30 µm	50 µm	100 µm	150 µm	200 µm	300 µm	500 µm	1000 µm
0,05	3.300	27	30	50	54	54	54	54	54
0,10	3.300	39	44	68	72	72	72	72	72
0,15	3.300	47	54	84	88	90	90	90	90
0,20	3.300	52	62	100	105	110	110	110	110

Capacity (m<sup>3</sup>/ h) at different filtration rates (µm).

The filter should only be installed as a pressure filter in systems which have a positive overpressure (the surroundings must be taken into consideration). All Auto-line filters are standardly produced according to the pressure equipment directive 2014/68/EU article 4, section 3. The filters can be delivered with approval according to category I, II, III or IV. The Auto-line filters complies with the Machinery directive 2006/42/EC. Auto-line filters can be delivered with approval for use in explosive atmospheres (Equipment-category 2, zone 1) according to directive 2014/34/EU.

The Auto-line filters for hygienic use complies with the Declaration of conformity for Food contact materials EC1935/2004 for all elastomers and polymers. HiFlux Filtration A/S is a member of EHEDG and follows the guidelines from the European Hygienic Equipment Design Group.

