

## Suction Blaster 750

### The solution for dust free and economical blasting



Nederman SB 750

Nederman Suction Blaster 750 is not a traditional blasting unit. It provides you with a cleaner and healthier working environment. Blasting is a highly effective way of removing rust, old paint, welding scale etc. and can often replace mechanical or chemical grinding/cleaning. Blasting gives you a perfectly clean surface providing an outstanding grip for the following surface treatment. Blasting has a superior accessibility irrespective of the shape of the surface and different accessory nozzles keep the process closed and dust free.

- Healthier work environment
- User friendly
- Lower costs

#### Easy to handle



The dust free blasting operation does not interfere with other activities in the workshop

#### Perfect results



Removes all traces of rust and paint leaving a perfectly cleaned surface for filling and painting.

## Suction blaster 750

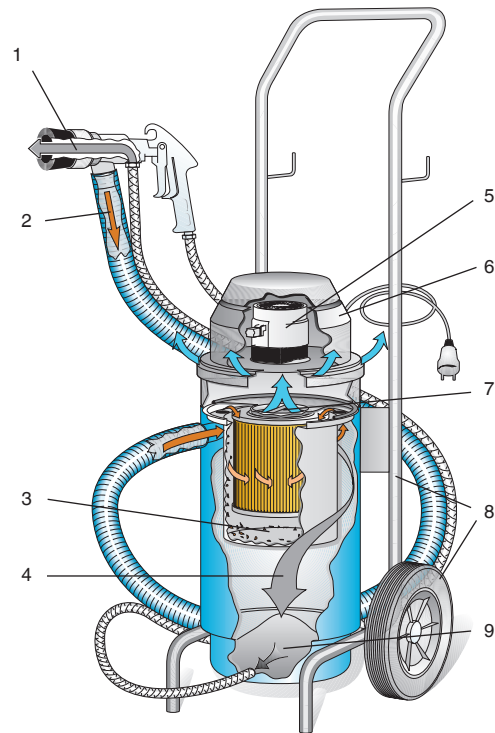


Fast and easy access for service of motor, particle filter and coarse separator

## A compact design for easy handling

1. The blasting material accelerates in the nozzle and hits the surface to be blasted.
2. Dust and blasting material is extracted back into the unit.
3. Large particles fall down into the coarse separator. To be emptied at service.
4. The blasting material is separated from the dust and recycled.
5. Separately air cooled motor for long lifetime.
6. The motor package is easily deassembled for service and filterchange.
7. The dust is captured by the particle filter before the air is recirculated.
8. The large wheels and the construction of the stand make the unit easy to handle.
9. The blasting material is extracted up to the gun.

The unit is delivered complete with gun, brush nozzle and 2 m / 79 in. hoses.



## Accessories

### Flexible nozzles enable a closed blasting process:

- In narrow corners
- On exterior edges
- On rough surfaces



Nozzle for spots



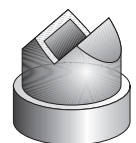
Nozzle for edges



Brush nozzle  
(included in SB 750)



Nozzle for interior corners



Nozzle for exterior corners

## Dimensions

mm (in.)



## Technical Data

- **Economical:** The blasting material is recycled and used many times before it is worn out. No dust or blasting material is spread in your workshop, keeping your costs for cleaning down.
- **Dust filtration:** Before the air is recirculated, all the dust is separated from the blasting material and captured by the particle filter in the unit.
- **User friendly:** The compact design and the large wheels make the unit easy to handle in your workshop. The service and maintenance is also very easy.
- Lower costs for blasting material when it is recycled
- Built in filter for less airborne dust
- The closed blasting process does not interfere with other activities in your workshop

Model	Voltage, V	Part no.
Suction Blaster 750	220/230 - EUR	70750070
Suction Blaster 750	220/230 - UK	70750073
Suction Blaster 750	120 V - US	70750170

## Suction blaster 750

Euro-plug 230 V 50/60 Hz

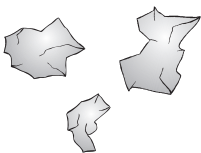
## Technical data gun

Pressure max	8 bar 3216 in. W.G.
Air consumption	500 l/min. (6 bar) 17.7 cfm (2412 in. W.G.)
Compressor required, min	2 hp (air receiver)

## Technical data unit

Voltage	230 V 50/60 Hz
Power	1000 W
Filtration	99,9 % (3µm)
Weight	14 kg (31 lb)

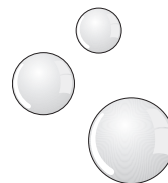
## Blasting material



Aluminium silicate is an ironfree, aggressive blasting material that replaces silica sand. This is used within many areas for cleaning before surface treatment. To be used on steel, glass and ceramics. Suitable for car body work.

### Aluminium silicate

Grit size 0.25-1.0 mm / 0.01-0.04 in.  
10 litre / 2.6 gallon container  
Part no.: 70311006



Glass beads is a lenient blasting material made of soda glass and is characterized by high resistance against high impact. Glass beads remove paint, scale and rust without really cutting in to the material itself. Suitable for blasting of glass, aluminium and stainless steel.

### Glass beads

Grit size 0.2-0.4 mm / 0.01-0.02 in.  
5 litre / 1.3 gallon container  
Part no.: 70311009