



■ Features

- Support 1+1 and N+1 redundancy system
- 2 channels input and 1 output
- Suitable for redundancy operation of 5V/12V/24V/48V system
- Output current up to 20A
- Cooling by free air convection
- -40~+80°C ultra-wide operating temperature (>+60°C derating)
- Built-in 2 channels DC OK signal and alarm relay contact
- 3 years warranty

■ Applications

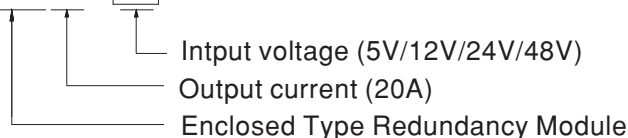
- Industrial control system
- Semiconductor fabrication equipment
- Factory automation
- Electro-mechanical apparatus

■ Description

The ERDN20 series is a 20A redundancy module that can be used with a power supply to improve overall system operation reliability. Product key features include: 5V/12V/24V/48V input voltage for selection, support N+1 and 1+1 redundancy systems, built-in two rails DC input contacts and single output. The MOSFET technology implemented can reduce heat loss and reduce the voltage difference between the input and output voltages, built-in 2 channels DC OK relay contacts for monitoring output status, ultra-wide operating temperature of -40 to +80°C.

■ Model Encoding

ERDN20 - 24

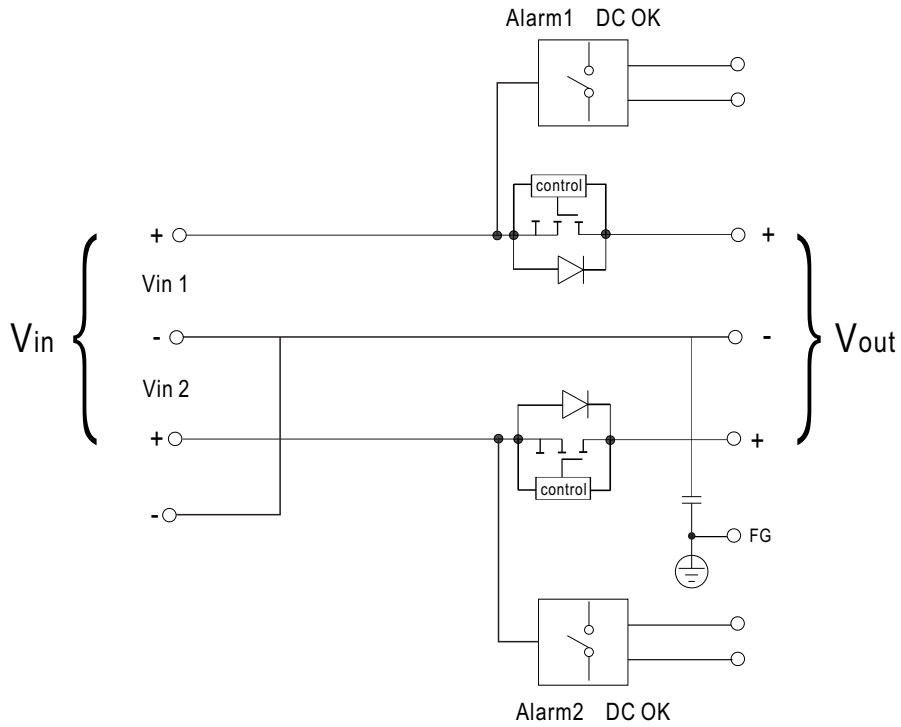




SPECIFICATION

MODEL		ERDN20-□			
		□ =5V, 12V, 24V, 48V			
INPUT	NUMBER OF INPUT	2 Channels			
	DC NORMAL VOLTAGE	5Vdc	12Vdc	24Vdc	48Vdc
	DC VOLTAGE RANGE	4, 5~6Vdc	9~14Vdc	19~29Vdc	36~60Vdc
	RATED CURRENT	0~20A per input Continuous			
	VOLTAGE DROP (Vin-Vout) (max.)	0.2V			
	PEAK CURRENT	0~30A per input 5Sec.			
	EFFICIENCY (Typ.)	97%	98%	98%	98%
	INPUT REVERSE CURRENT (max.)	1mA			
OUTPUT	INPUT REVERSE VOLTAGE (max.)	15Vdc	40Vdc	40Vdc	65Vdc
	RATED CURRENT	0~20A, Continuous			
	PEAK CURRENT (max.)	30A, 5Sec.			
	CAPACITANCE(Typ.)	320uF			
PROTECTION	STANDBY POWER LOSSES(Typ.)	1.5W			
	OVERLOAD	<30A, 5Sec. No damage			
FUNCTION	SHORT CIRCUIT	<30A, 5Sec. No damage			
	REDUNDANCY	For 1+1 redundancy ,and support N+1 redundancy			
	BOTH INPUTS VOLTAGE ALARM	<4V or >6.5V (±5%)	<8.5V or >14.7V (±5%)	<18V or >31V (±5%)	<34.2V or >63V (±5%)
	RELAY	30Vdc/1A resistive load			
ENVIRONMENT	LED STATUS DISPLAY	Green LED OK			
	COOLING	Free air convection			
	WORKING TEMP. Note.2	-40 ~ +80°C (Refer to "Derating Curve")			
	WORKING HUMIDITY	5 ~ 95% RH non-condensing			
	STORAGE TEMP.	-40 ~ +85°C			
	TEMP. COEFFICIENT	±0.03%/°C (0 ~ 60°C)			
	VIBRATION	Component:10 ~ 500Hz, 5G 10min./1cycle, 60min. each along X, Y, Z axes; Mounting: Compliance to IEC61373			
SAFETY & EMC (Note.4)	OPERATING ALTITUDE Note.3	5000 meters/OVC II			
	SAFETY STANDARDS	IEC62368-1, UL62368-1, EAC TP TC 004 approved			
	WITHSTAND VOLTAGE	IP/OP - Chassis : 0.5KVdc ; IP/OP- Relay : 0.5KVdc ; Relay - Chassis : 0.5KVdc			
	ISOLATION RESISTANCE	IP/OP - Chassis, IP/OP- Relay, Relay - Chassis:>100M Ohms / 500Vdc / 25°C / 70% RH			
	EMC EMISSION	Parameter	Standard	Test Level / Note	
		Conducted	EN55032(CISPR32)	Class B	
		Radiated	EN55032(CISPR32)	Class B	
		Voltage Flicker	-----	-----	
	EMC IMMUNITY	Harmonic Current	-----	-----	
		EN55035, EN61000-6-2(EN50082-2), EN55024			
Parameter		Standard	Test Level / Note		
ESD		EN61000-4-2	Level 4, 15KV air ; Level 3, 8KV contact; criteria A		
Radiated		EN61000-4-3	Level 3, 10V/m ; criteria A		
EFT / Burst		EN61000-4-4	Level 3, 2KV ; criteria A		
Surge		EN61000-4-5	Level 3, 1KV/Line-Line ;Level 3, 2KV/Line-Line-Chassis ;criteria A		
OTHERS	Conducted	EN61000-4-6	Level 3, 10V ; criteria A		
	Magnetic Field	EN61000-4-8	Level 4, 30A/m ; criteria A		
NOTE	MTBF	618.15K hrs min. Telcordia SR-332 (Bellcore) ; 378.72K hrs min. MIL-HDBK-217F (25°C)			
	DIMENSION	82*99*36mm (W*D*H)			
	PACKING	0.206Kg;45psc/10.3Kg/0.76CUFT			
<p>1. All parameters NOT specially mentioned are measured at normal input (5V/12V/24V/48V) , rated load and 25°C of ambient temperature.</p> <p>2. Derating may be needed over high ambient temperature. Please check the derating curve for more details.</p> <p>3. The ambient temperature derating of 3.5°C/1000m with fanless models and of 5°C/1000m with fan models for operating altitude higher than 2000m(6500ft).</p> <p>4. The power supply is considered as an independent unit, but the final equipment still need to re-confirm that the whole system complies with the EMC directives. For guidance on how to perform these EMC tests, please refer to "EMI testing of component power supplies." (as available on http://www.meanwell.com)</p> <p>※ Product Liability Disclaimer : For detailed information, please refer to https://www.meanwell.com/serviceDisclaimer.aspx</p>					

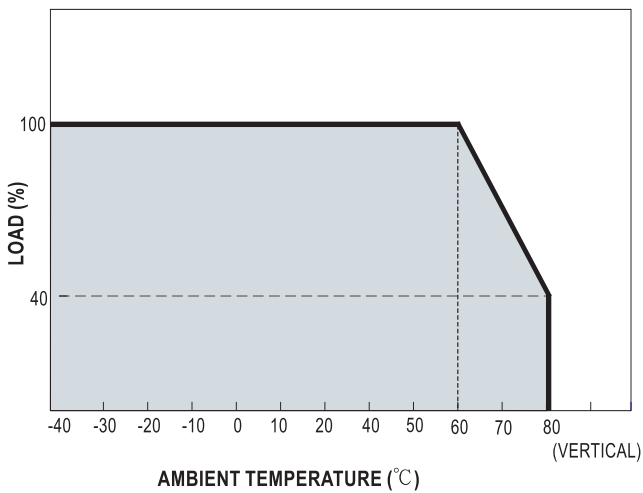
Block Diagram



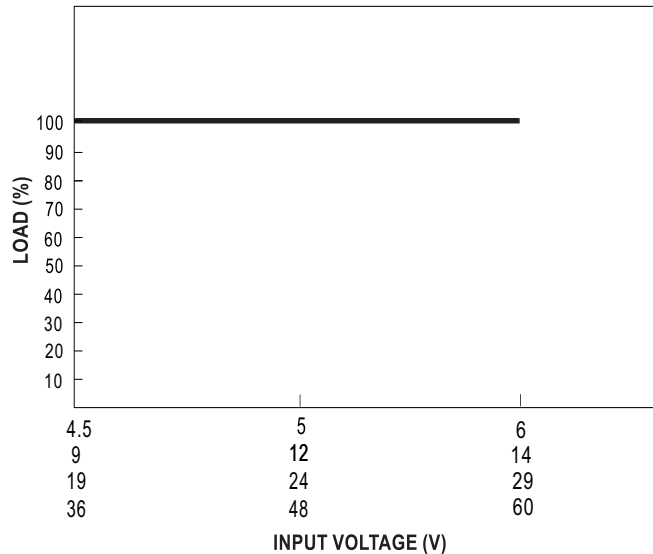
DC OK Relay Contact

Contact Ratings (max.)	30V/1A resistive load
Contact Close(DC OK)	PSU turns on
Contact Open(DC Fail)	PSU turns off / over or under input voltage

Derating Curve



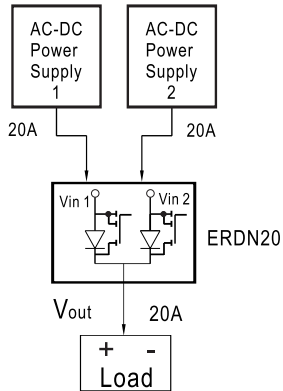
Output Derating VS Input Voltage



Typical Application Notes

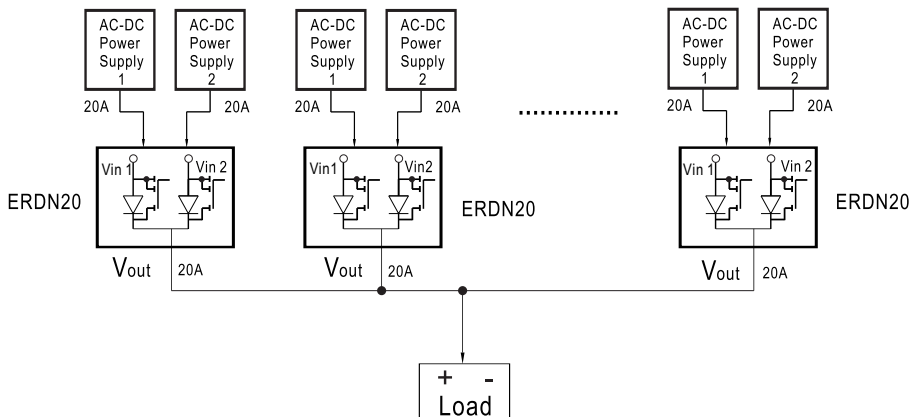
1. 1+1 Redundancy:

Using 1 more PSU as the redundant unit



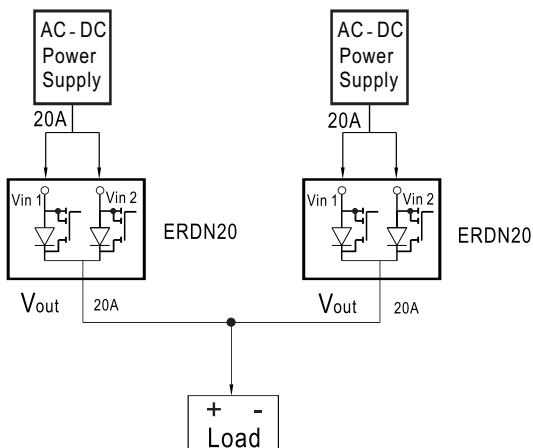
2. 1+N Redundancy:

Using more PSUs as the redundant units to increase the reliability



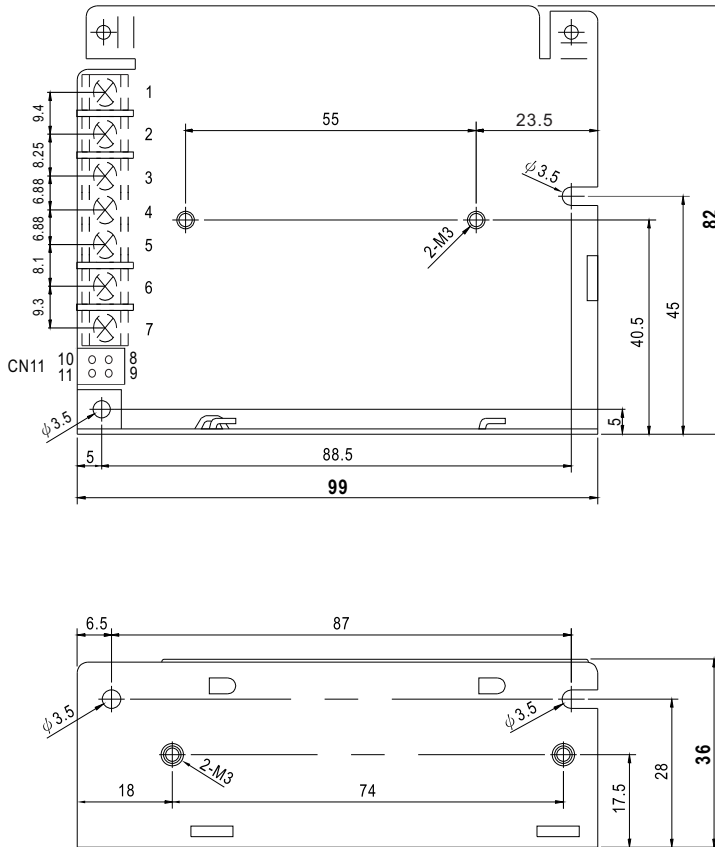
3. Single Use:

Connecting only one PSU to one ERDN20 to reduce the stress of the MOSFET and hence increase the reliability



Mechanical Specification

Case No.932D Unit:mm



Terminal Pin No. Assignment

Pin No.	Assignment
1	FG
2	output+
3	output-
4,5	DC input -Vin
6	DC input +Vin1
7	DC input +Vin2

Function Connector(CN11): TKP DH21-2X2 or equivalent

Pin No.	Assignment	Mating Housing	Terminal
8,9	Alarm1 DC OK	TKP DH2 or equivalent	TKP or equivalent
10,11	Alarm2 DC OK		

Installation Manual

Please refer to : <http://www.meanwell.com/manual.html>