

**LEISTER**

PLASTIC WELDING

**NEW!**

# GHIBLI AW

Robust and  
ergonomic



[www.leister.com](http://www.leister.com)

**We know how.**

# GHIBLI AW – Robust and ergonomic.

The GHIBLI AW is the robust and ergonomic heat gun used for shrink in cable manufacturing, heating and forming in the automobile industry, lap welding of truck sheeting and for deburring plastic parts. Thanks to the easy-to-grip, two-component frame, the GHIBLI AW fits perfectly in the hand. Temperature and air volume can easily be adjusted with the proven and intuitive "e-Drive" operating unit. The stand that is included in the scope of delivery and the

Heat gun

## GHIBLI AW

- |   |   |   |
|---|---|---|
| 1 |    | <b>Stand</b> Thanks to the included stand, the GHIBLI AW can be placed in an optimum position at the workstation, thus reducing fatigue.                  |
| 2 |    | <b>Practical air filter</b><br>Regular cleaning of the air filters ensures optimum air flow and maximum power.  |
| 3 |   | <b>Leister e-Drive</b><br>Temperature and air volume are easy to control and inspect with the proven "e-Drive" operating unit – for reproducible results. |
| 4 |  | <b>Fatigue-free working</b><br>Thanks to the integrated suspension lug, the GHIBLI AW can be suspended for fatigue-free work.                             |



- |   |   |  |
|---|---|--|
| 5 |  | <b>Compatible</b><br>All of its predecessor's nozzles also fit on the GHIBLI AW. Comprehensive selection of compatible accessories.                                      |
| 6 |  | <b>Ergonomic handling</b><br>The two-component handle and the perfect device balance ensure an optimal grip and comfortable work, even under the harshest of conditions. |

practical device suspension make working easier. The air filters can be readily removed and cleaned. And of course, all of the nozzles from its predecessor fit the new GHIBLI AW.



Shrink applications in cable manufacturing – ideal with the GHIBLI AW

## Heat gun

### GHIBLI AW

- Ergonomic heat gun
- Digital temperature control
- Five-stage air volume control
- "e-Drive" operating unit for optimum process control
- 100% Swiss Made

### Technical data

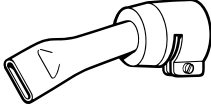
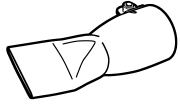
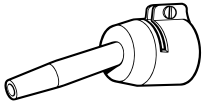
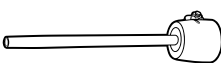
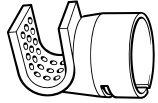



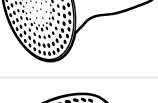

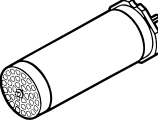
Voltage	V~	230 / 120 / 100
Frequency	Hz	50/60
Power	W	1600 / 1800 / 1500
Temperature	°C	40 - 620°
	°F	100 - 1148°
Air volume	l/min	140 - 270
ø Nozzle holder	mm	36.5 (1.5 inch)
Emission	dB(A)	67
Dimensions (L x W x H)	mm	280 x 220 x 90
	inch	11 x 9 x 4
ø Handle	mm	45 (1.8 inch)
Weight	kg	1.18
	lbs	2.6
Mark of conformity		CE
Protection class II		□

### Article No.:

148.061	GHIBLI AW, 230 V / 2300 W, EU plug
150.168	GHIBLI AW, 230 V / 2300 W, UK plug
150.169	GHIBLI AW, 230 V / 2300 W, CH plug
150.170	GHIBLI AW, 120 V / 1800 W, CEE plug
148.078	GHIBLI AW, 120 V / 1800 W, US plug
148.079	GHIBLI AW, 100 V / 1500 W, JP plug

Scope of delivery: GHIBLI AW, case, stand, Operating Instructions

### Accessories for GHIBLI AW

	<b>106.998</b> Wide slot nozzle 20 mm, push-fit
	<b>106.999</b> Wide slot nozzle 40 mm, push-fit
	<b>107.154</b> Tubular nozzle Ø 5 mm, push-fit
	<b>107.006</b> Extension nozzle Ø 5 x 130 mm, straight
	<b>107.308</b> Sieve reflector 50 x 35 mm
	<b>107.309</b> Sieve reflector 35 x 20 mm
	<b>107.313</b> Spoon reflector 25 x 30 mm, push-fit
	<b>107.325</b> Solder reflector 17 x 34 mm, push-fit
	<b>107.319</b> Sieve reflector Ø 65 mm
	<b>107.345</b> Welding mirror 135 mm, push-fit
	<b>145.582</b> Heating element, 230 V / 1800 W



## We are local. Worldwide.

Our close worldwide network of more than 130 Sales and Service Centers in more than 100 countries.

**Leister Technologies AG**  
Galileo-Strasse 10  
CH-6056 Kaegiswil / Switzerland  
phone: +41 41 662 74 74  
fax: +41 41 662 74 16  
leister@leister.com

**Leister Technologies LLC**  
Itasca, IL 60143 / USA  
phone: +1 855 534 7837  
info@leisterusa.com

**Leister Technologies Ltd.**  
Shanghai 201 109 / PRC  
phone: +86 21 6442 2398  
leister@leister.cn

**Leister Technologis KK**  
Yokohama 222-0033 / Japan  
phone: +81 45 477 36 37  
info@leister.co.jp

**Leister Technologies Benelux BV**  
3991 CE Houten / Nederland  
phone: +31 (0)30 2199888  
info@leister.nl

**Leister Technologies Italia srl**  
20090 Segrate / Italia  
phone: +39 02 2137647  
info@leister.it

**Leister Technologies India Pvt**  
600 041 Chennai / India  
phone: +91 44 2454 3436  
info@leister.in

**Europe:**

- Andorra
- Austria
- Belgium
- Cyprus
- Denmark
- Finland
- France
- Germany
- Greece
- Iceland
- Ireland
- Italy
- Luxembourg
- Malta
- Monaco
- Netherlands
- Norway
- Portugal
- Liechtenstein
- San Marino
- Spain
- Sweden
- Switzerland
- Turkey
- United Kingdom
- Vatican
- Albania
- Armenia
- Azerbaijan
- Belarus
- Bosnia-Herzegovina
- Bulgaria
- Croatia
- Czech Republic
- Estonia
- Georgia
- Hungary
- Kosovo
- Latvia
- Lithuania
- Macedonia
- Moldova
- Montenegro

**Americas:**

- Canada
- Mexico
- USA
- Belize
- Costa Rica
- El Salvador
- Guatemala
- Honduras
- Nicaragua
- Panama
- Argentina
- Bolivia
- Brazil
- Poland
- Romania
- Russia
- Serbia
- Slovakia
- Slovenia
- Ukraine

**Central Asia:**

- Kazsachstan
- Kyrgyzstan
- Tajikistan
- Turkmenistan
- Uzbekistan
- Chile
- Colombia
- Ecuador
- Peru
- Venezuela

**Middle East:**

- Bahrain
- Iran
- Iraq
- Israel
- Jordan
- Qatar
- Saudi Arabia
- U.A.E

**Africa:**

- Algeria
- Botswana
- Egypt
- Ghana
- Kenya
- Lesotho
- Libya
- Malawi
- Morocco
- Mozambique
- Namibia
- North Sudan
- South Africa
- Swaziland
- Tunisia
- Zambia
- Zimbabwe

**Asia Pacific:**

- Bangladesh
- China
- Hong Kong
- India
- Indonesia
- Japan
- Korea
- Macao
- Malaysia
- Mongolia
- Philippines
- Singapore
- Taiwan
- Thailand
- Vietnam

**Oceania:**

- Australia
- New Zealand

© Copyright by Leister, Switzerland

Distributor Addresses: