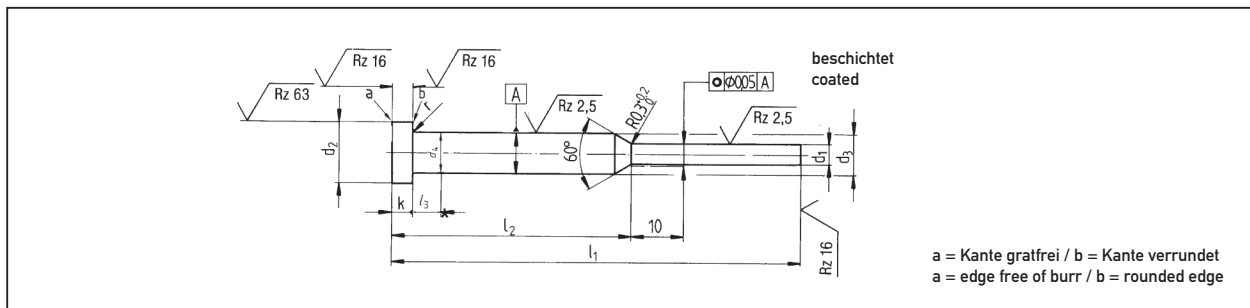


Auswerferstifte mit DLC-Beschichtung und zylindrischem Kopf Ejector pin with DLC-coating and cylindrical head

mit rund abgesetztem Schaft nach DIN ISO 8694 (DIN 1530 Teil 2, Form CH, gehärtet) / DLC-beschichtet
with round stepped shaft acc. to DIN ISO 8694 (DIN 1530 standard part 2, type CH, hardened) / DLC-coated



Artikel-Nr.: 6D41.

Item no.: 6D41.

Schichthärte: ca. 3.000 HV

Coating hardness: ca. 3000 HV

Schichtstärke: ca. 1,5 µm

Coating thickness: ca. 1,5 µm

Werkstoff: WS

Material: WS – tool steel

d ₁	d ₂	d ₄	d ₃	k	r	l ₁								l ₃		
						63	80	100	125	160	200	250	315			
g 6 ab 1,0 um 0,1 steigend from 1,0 with 0,1 increments + Beschichtung + coating	0 - 0,2		0 - 0,1 + Beschichtung + coating	0 - 0,05	+ 0,2 0	l ₂ [*]										
						-1 -2										
						25	35	50	50	75	75	100	160			
0,5	4	d ₁ +0,03	2	2	0,2		●	●	●	●						
0,6 + 0,7							●	●	●	●	●					
0,8						●	●	●	●	●	●	●			●	
0,85										●	●					
0,9						●	●	●	●	●	●	●				
0,95										●	●	●	●			
1,0						●	●	●	●	●	●	●	●	●		
1,1						●	●	●	●	●	●	●	●	●	●	
1,2						●	●	●	●	●	●	●	●	●	●	
1,3 + 1,4						●	●	●	●	●	●	●	●	●	●	
1,5	6	d ₁ +0,03	3	3	0,3	●	●	●	●	●	●	●	●	●		
1,6							●	●	●	●	●	●	●			
1,7-1,9							●	●	●	●	●	●	●			
2,0						●	●	●	●	●	●	●	●	●	●	
2,1-2,4							●	●	●	●	●	●	●	●		
2,5							●	●	●	●	●	●	●	●	●	

- Ab Lager oder kurzfristig lieferbar. Übrige Abmessungen auf Anfrage.
- * Nur mit diesen l₂-Längen lieferbar.

- Available from stock or at short notice. Other dimensions on request.
- * Only available with these l₂-lengths.