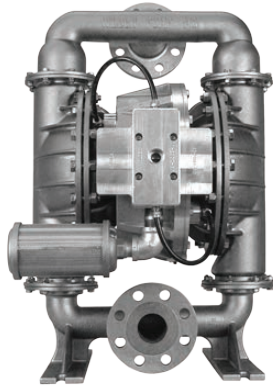


H800 HIGH-PRESSURE METAL PUMP

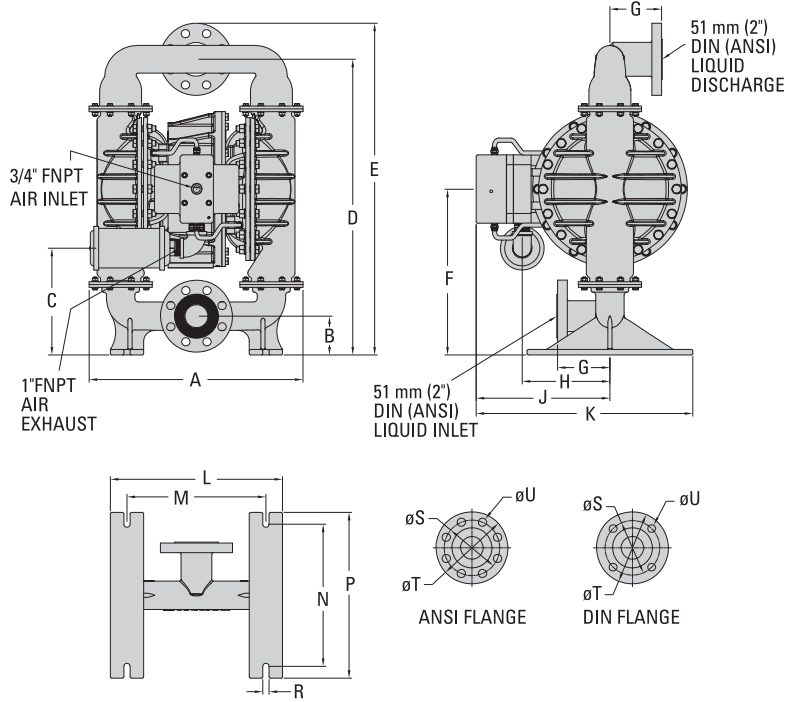
51 mm (2") Pump
Maximum Flow Rate:
360 lpm (95 gpm)



H800 METAL

DIMENSIONAL DRAWINGS

H800 Metal



DIMENSIONS

ITEM	METRIC (mm)	STANDARD (inch)
A	490	19.3
B	89	3.5
C	245	9.6
D	677	26.7
E	760	29.9
F	378	14.9
G	120	4.7
H	201	7.9
J	307	12.1
K	498	19.6
L	394	15.5
M	318	12.5
N	325	12.8
P	379	14.9
R	14	0.6
ANSI FLANGE 300 lb		
S	127 DIA.	5.0 DIA.
T	165 DIA.	6.5 DIA.
U	19 DIA.	0.8 DIA.
DIN FLANGE PN40		
S	125 DIA.	4.9 DIA.
T	165 DIA.	6.5 DIA.
U	18 DIA.	0.7 DIA.

LW0192 REV. B

PUMP DATA

Specifications:

Ship Weight....Stainless Steel 128 kg (283 lb)
 Ductile Iron 128 kg (283 lb)
 Alloy C 134 kg (295 lb)

Air Inlet 19 mm (3/4")
 Inlet.....51 mm (2")
 Outlet.....51 mm (2")

Temperature Limits:

Wil-Flex™ ... -40°C to 107°C (-40°F to 225°F)
 PTFE.....4°C to 104°C (40°F to 220°F)

H800 HIGH-PRESSURE METAL PUMP

PERFORMANCE

**H800 METAL
TPE/FULL-STROKE
PTFE-FITTED**

Max. Flow Rate.....360 lpm (95 gpm)
 Max. Inlet Pressure5.7 bar (85 psig)
 Max. Discharge Pressure.....17.5 bar (250 psig)
 Max. Solids Passage..... 12.7 mm (1/2")
 Max. Suction Lift.....3.7 m Dry (12.0')
 9.0 m Wet (29.5')

