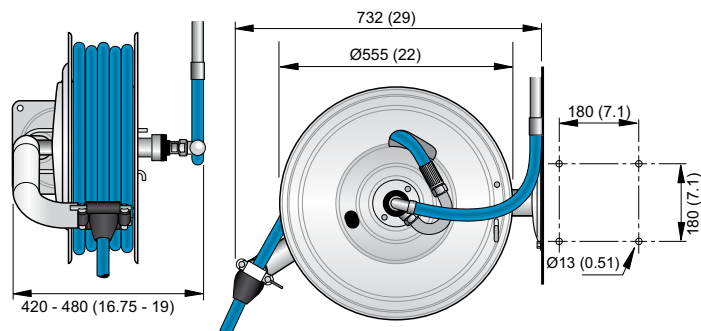


Stainless Steel Hose Reel Series 886

This hose reel, made entirely of stainless steel, is designed specifically for the food processing industry. It is very easy to clean thanks to rounded edges and features an easy to dismantle hose outlet, an externally mounted swivel, and a minimum number of material joints.



- Unique design makes easy cleaning
- Up to 25 m (82 ft.) hose capacity
- Meets international hygienic requirements



Reel without hoses

Use for	Max. working pressure, MPa (psi)	For hose dimensions Int. Ø, mm (in)	For hose dimensions Length, m	Weight excl. hose, kg	Reel without hose Part no.
Water	2.0 (290)	19 (3/4)	18	28	30800186
Water	2.0 (290)	25 (1)	10	28	30802186
Water	10 (1450)	12.5 (1/2)	25	28	30800386
HP water	25 (3625)	10 (3/8)	25	28	30801386

Hoses with galvanized fittings

Use for	Max. working pressure, MPa (psi)	Hose type (see page 21)	Int. Ø, mm (in)	Distribution hose Length, m	Distribution hose Part no.	Connection hose Length, m	Connection hose Part no.
Water – food grade hose	2.0 (290)	E	12.5 (1/2)	25	30371898	1	30373670
Water – food grade hose	2.0 (290)	E	19 (3/4)	18	30371897	1	30373674
Water – food grade hose	2.0 (290)	E	25 (1)	10	30373663	1	30373664
HP water	25 (3625)	G	10 (3/8)	25	30371900	1	30344852

Hoses with stainless steel fittings

Use for	Max. working pressure, MPa (psi)	Hose type (see page 21)	Int. Ø, mm (in)	Distribution hose Length, m	Distribution hose Part no.	Connection hose Length, m	Connection hose Part no.
Water – food grade hose	2.0 (290)	F	12.5 (1/2)	25	30371951	1	30373671
Water – food grade hose	2.0 (290)	F	19 (3/4)	18	30371950	1	30373675
Water – food grade hose	2.0 (290)	F	25 (1)	10	30373665	1	30373666
HP water	25 (3625)	H	10 (3/8)	25	30371953	1	30373669

Material recycling: 100 %