

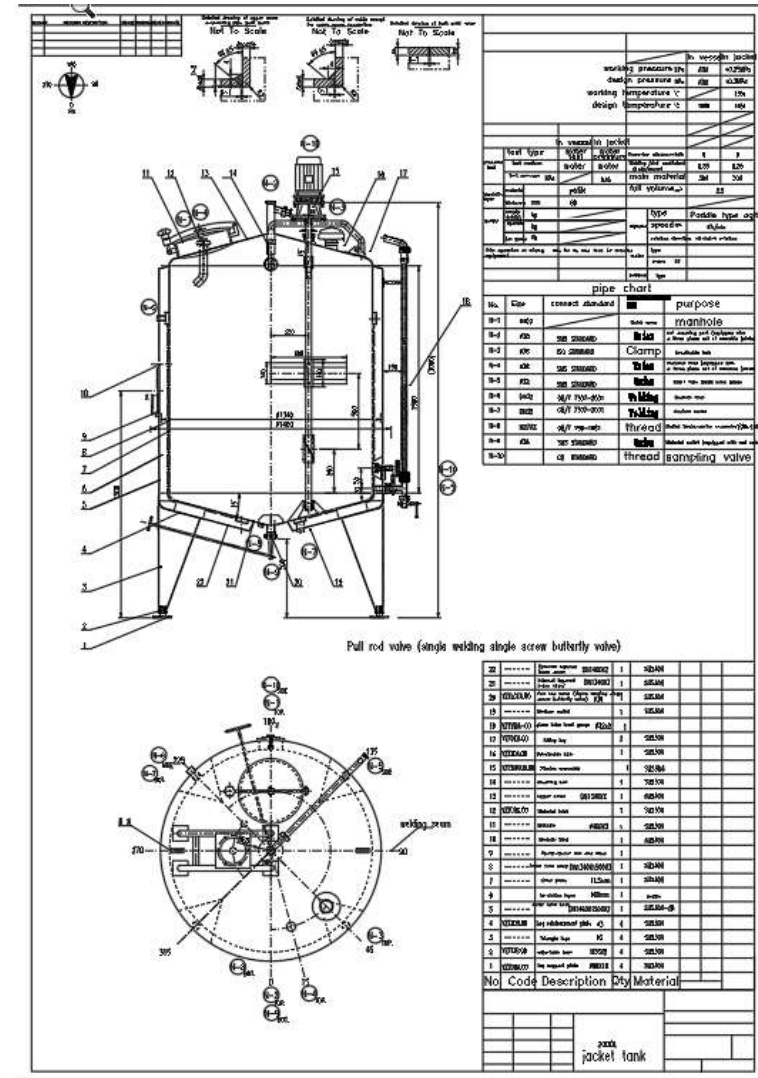
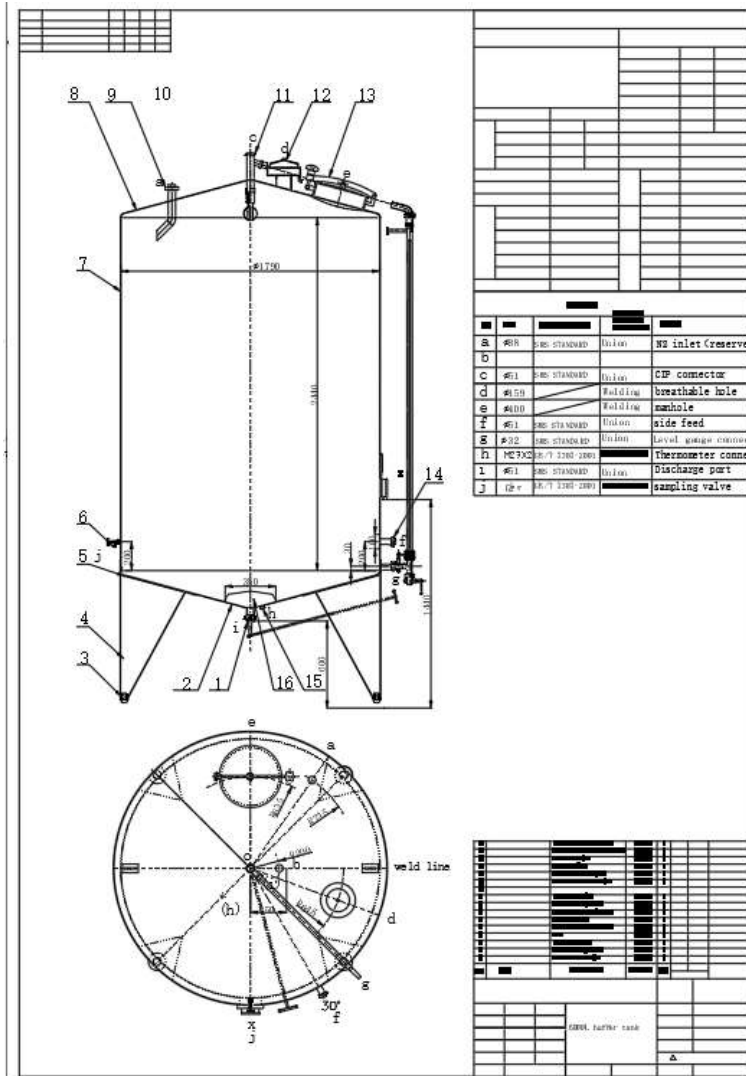


Stainless steel tank supply Ferrum Group



Price inspiration for Stainless steel tanks from Ferrum Group

Price inspiration for Stainless steel tanks from Ferrum Group



Price inspiration for Stainless steel tanks from Ferrum Group



Item	Description	Specitication	Unit Price (USD)	Unit Price (DKK)
1	Buffer Tank	V=2000L, SUS304, touch parts with material SUS316, single layer, tank body ϕ 1490*1220*3mm, breathing hole, sampling valve, CIP ball-type sprayer, climbing ladder, glass tube liquid level, four adjustable legs	8.667 USD	64.567 kr.
2	Buffer Tank	V=5000L, SUS304, touch parts with material SUS316, single layer, tank body ϕ 1630*2440*3mm, breathing hole, sampling valve, CIP ball-type sprayer, climbing ladder, glass tube liquid level, four adjustable legs	12.167 USD	90.642 kr.
3	Buffer Tank	V=10000L, SUS304, touch parts with material SUS316, single layer, tank body ϕ 2070*3000*3mm, breathing hole, sampling valve, CIP ball-type sprayer, climbing ladder, glass tube liquid level, four adjustable legs	16.417 USD	122.304 kr.
4	Jacket Tank	V=2000L, SUS304, touch parts with material SUS316, jacket insulation, honeycomb plate 1.5mm with an outer layer of 2mm, 60mm PU heat insulation, top offset paddle stirring at 20r/min, SEW motor 1.5KW, tank body ϕ 1490*1220*3mm, upper and lower conical heads, breathing hole, sampling valve, CIP ball-type sprayer, climbing ladder, digital thermometer, four adjustable legs	15.500 USD	115.475 kr.
5	Jacket Tank	V=5000L, SUS304, touch parts with material SUS316, jacket insulation, honeycomb plate 1.5mm with an outer layer of 2mm, 60mm PU heat insulation, top offset paddle stirring at 20r/min, SEW motor 2.2KW, tank body ϕ 1630*2440*3mm, upper and lower conical heads, breathing hole, sampling valve, CIP ball-type sprayer, climbing ladder, digital thermometer, four adjustable legs	22.667 USD	168.867 kr.
6	Jacket Tank	V=10000L, SUS304, touch parts with material SUS316, jacket insulation, honeycomb plate 1.5mm with an outer layer of 2mm, 60mm PU heat insulation, top offset paddle stirring at 20r/min, SEW motor 3KW, tank body ϕ 2070*3000*3mm, upper and lower conical heads, breathing hole, sampling valve, CIP ball-type sprayer, climbing ladder, digital thermometer, four adjustable legs	32.167 USD	239.642 kr.
Price based one 1 Pcs. Prices AB Fabric Denmark				

Med venlig hilsen / Best regards / Mit freundlichen Grüßen



T: +45 7595 4424
www.ferrum-group.dk

Henrik Bebe
COO, Projektdirektør

T: +45 20 52 65 56
hb@ferrum-group.dk



■ Ferrum Group representative of BBULL Technology Group in Scandinavia



**FULL-SERVICE PARTNER
OF THE INDUSTRY**

Explore our new updated website...

ferrum
GROUP

ferrumgroup.dk