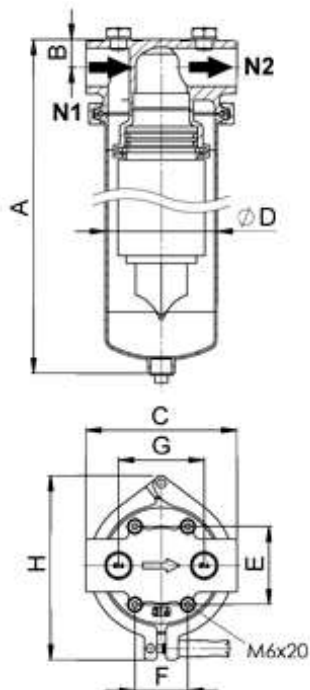


# SINGLE CARTRIDGE FILTER HOUSING

FUC / FUCB



## Technical Data

- Stainless steel 304 or 316
- 12-75 l/min
- 25 bar
- 1" BSP
- 90°C
- 5" 10" 20" 30"
- DOE, Code 7 or Code 3
- FPM (others available)
- PED

Our filter housings are constructed in stainless steel, most with a heavy bolt-lid or solid clamp lock for the smaller housings. All housings are available in 316 and 304 stainless steel. Select sizes are available in heavy-duty plastic versions for off-shore and other applications.

Our single element filter housings for DOE have a specially fixed steel accessory to secure the elements from shaking. This also allows several length configurations, using the fixture extend or shorten the element length.



Model	Flow l/min	Connection in/out	Max. Temperature	Element Connection	Dimensions (mm)							
					A	B	C	D	E	F	G	H
FUC 5"	12	1"	90°C	DOE	230	22	120	ø88,9	62	42	68	146
FUC 10"	25	1"	90°C	DOE	367	22	120	ø88,9	62	42	68	146
FUC 20"	50	1"	90°C	DOE	615	22	120	ø88,9	62	42	68	146
FUC 30"	75	1"	90°C	DOE	863	22	120	ø88,9	62	42	68	146
FUCB 5"	12	1"	90°C	Code 7	291	22	120	ø88,9	62	42	68	146
FUCB 10"	25	1"	90°C	Code 7	427	22	120	ø88,9	62	42	68	146
FUCB 20"	50	1"	90°C	Code 7	674	22	120	ø88,9	62	42	68	146
FUCB 30"	75	1"	90°C	Code 7	915	22	120	ø88,9	62	42	68	146