

SPECIFICATION

SITE DUMPER 6T SITESAFE ROPS
EXTREMELY
TOUGH AND
PRODUCTIVE



EXTREMELY TOUGH AND PRODUCTIVE

Introducing the new 6 tonne SiTESAFE ROPS Site Dumper, the latest addition to the JCB site dumper range.

The new ROPS operator protection system design is another example of JCB's commitment to build the safest dumpers in their class.

Featuring a unique full height safety gate, it ensures best-in-class protection to the operator in case of a roll-over, with minimum impact on ease of operation.

Available with either Swivel Tip Skip or Forwards Tip Skip, the new SiTESAFE ROPS Dumper offers greater safety and visibility all round.

SITE DUMPER 6T SiTESAFE ROPS



INDUSTRY'S SAFEST

Not only is the JCB SiTESAFE ROPS the safest and easiest to use EN474 compliant design on the market, but you also have the option of the unique SiTESAFE Front Tip Skip. Featuring a lower centre of gravity for increased stability, it also boasts best-in-class front visibility over the skip.



MAXIMUM RELIABILITY

With heavy-duty fabrications, JCB engines and drivetrains, JCB Dumpers are designed to be rental tough and provide reliable service. With best-in-class engine-torque matched to the latest JCB 4 speed Powershuttle transmission, the SiTESAFE range has the power and performance to perform anywhere.



GREATER COMFORT

The new SiTESAFE ROPS Dumper is designed to be comfortable and easy to use. Large opening gates allow for three-points of contact as you climb effortlessly into the comfortable and adjustable operator's seat, while all controls and displays are well positioned. The new powershuttle transmission also offers best-in-class gearshift for reduced operator fatigue.

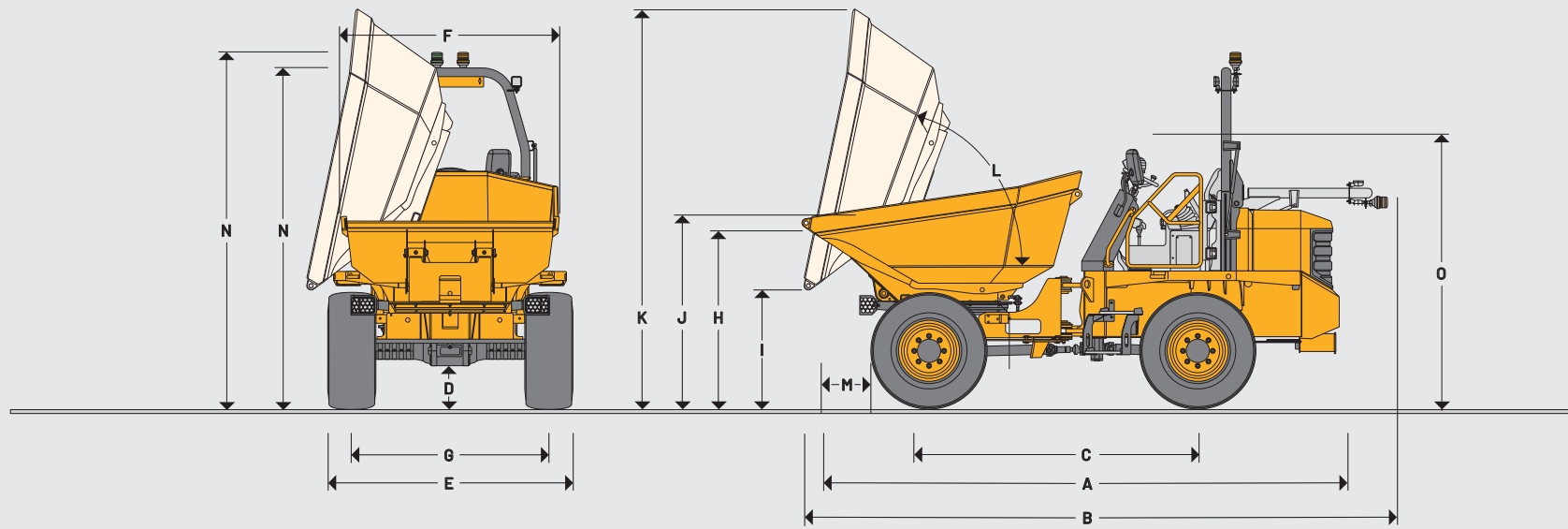


ULTIMATE VERSATILITY

Offered with two skip variants, Swivel Tip for easy tipping to either side of the machine, perfect for back-filling a trench, and SiTESAFE Front Tip, for maximum capacity when moving larger amounts of materials. JCB dumpers are designed to go the get the job done.

SITE DUMPER 6T SITESAFE ROPS

STATIC DIMENSIONS AND CAPACITIES



			6T SITESAFE ROPS - swivel tip	6T SITESAFE ROPS - front tip
A	Overall length	mm	4792	4912
A	Overall Length (Without Hitch)	mm	4961	4701
	Overall Length (With Tow Hitch)	mm	5030	4770
B	Overall Length - ROPS folded	mm	5275	5015
C	Wheelbase	mm	2480	2680
D	Minimum Ground Clearance	mm	357	327
E	Total Width (Standard Tyres)	mm	2227	2227
F	Skip Width	mm	2018	2310
G	Track Width	mm	1820	1820
I	Height to front lip of skip (tipped)	mm	1178	511
H	Height to front lip of skip (untipped)	mm	1697	1520
J	Loadover Height	mm	2163	1738
K	Height over skip (tipped)	mm	3666	2511
L	Skip Tip Angle	degrees	70	75
M	Discharge Distance - Front	mm	569	580
	Discharge Distance - Side	mm	204	N/A
	Turning Radius to Outside of Skip	mm	5741	5645
	Turning Radius to Outside of Tyres	mm	5778	5527
	Steering Angle (+/-)	degrees	30	34
	Oscillation	degrees	10	10
N	Height to Top of ROPS (with/without beacon)	mm	3259 / 3119	3264 / 3124
O	Height with Folded ROPS	mm	2057	2062

SITE DUMPER 6T SITESAFE ROPS

CAPACITIES

Payload		6000kg
Operating Weight - ISO6016		4500 kg (Swivel Tip) / 4500 kg (SiTESAFE Front Tip)
Skip Capacity (fluid)	litres	1621 (Swivel Tip) / 1883 (SiTESAFE Front Tip)
Skip Capacity (struck)	litres	2473 (Swivel Tip) / 2794 (SiTESAFE Front Tip)
Skip Capacity (heaped)	litres	3190 (Swivel Tip) / 3346 (SiTESAFE Front Tip)

ENGINE

Model		JCB DieselMAX
Capacity	cc	3000
Aspiration		Turbocharged
Cylinders		4
Max. Gross Power to SAE J1995/ISO 14396	kW (hp)	55 (74)
Max. Torque	Nm	440
Emissions Compliance		Stage V

TRANSMISSION

Type		Powershuttle
Drive		4/4 Forward and Reverse - Permanent 4WD
Max. Travel Speed (unladen) - 1st Gear	mph (kph)	3.1 (5.0)
Max. Travel Speed (unladen) - 2nd Gear	mph (kph)	5.0 (8)
Max. Travel Speed (unladen) - 3rd Gear	mph (kph)	9.3 (15)
Max. Travel Speed (unladen) - 4th Gear	mph (kph)	16.1 (26)
Tyre Size		405-70-20 14PR

ELECTRICAL SYSTEM

System Voltage	V	12
Alternator Output	A	95
Battery Capacity	Ah	110

SERVICE FILL CAPACITIES

Hydraulic Tank	litres	60
Fuel Tank	litres	65

BRAKING

Working Brake	Foot brake - oil immersed discs on front/rear	
Parking Brake	Over centre parking brake - dry disc on gearbox	

SITE DUMPER 6T SITESAFE ROPS

OPTIONS & ACCESSORIES		
	6T SITESAFE ROPS - SWIVEL TIP	6T SITESAFE ROPS - FRONT TIP
Folding SITESAFE ROPS Frame and Operator Protection System (EN474 compliant)	●	●
Reverse Alarm	●	●
White Noise Reverse Alarm	+	+
Dual Circuit Braking	●	●
Speedometer	●	●
Tie Down & Lifting Points	●	●
Lap-belt (high visibility orange, emergency locking retractor)	●	●
LED Amber Beacon	●	●
LED Green Beacon	+ Standard in UK	+ Standard in UK
Sequenced drive inhibit system	●	●
Audible alarm on initial machine movement (horn sounds twice)	●	●
Skip Raised Audible Alarm	●	+
Inclinometer	●	●
Seat adjustment: fore/aft, operator weight, back angle	●	●
Recovery points on Chassis	●	●
Tow bar	+	+
Leg guard - Full-width steering column protection	●	●
CESAR Datatag security	● UK only	● UK only
Traction Tyres	●	●
High Visibility Steps and Grab Handles	+	+
Flexible steps (High Visibility)	+	+
Road Light Ready (Wiring Harness for Roadlight Fitment - No Roadlights Fitted)	●	●
Road Lights (includes Rear View Mirrors)	+	+
Rear View Mirror	+	+
LED Work Lights (front and rear)	+	+
Three speed only restriction	+	+
Front Camera	●	●
SITESAFE Object Detection System	+ from 2026	+ from 2026
360 Vision Camera Kit Upgrade - Additional Side/ Rear Cameras	+ from 2026	+ from 2026
LiveLink Telematics - Hardware only	●	●
LiveLink Telematics - Subscription	+	+
Rental ready Decals (clear skip sides)	+	+
Loose Decals	+	+
Hydraulic Oil Biodegradeable	+	+

● Standard

+ Option





SITE DUMPER 6T SITESAFE ROPS

EXTREMELY TOUGH AND PRODUCTIVE

JCB, Rcester, Staffordshire, United Kingdom ST14 5JP. Tel: +44 (0)1889 590312. salesinfo@jcb.com. www.jcb.com

©2025 JCB Sales. All rights reserved. No part of this publication may be reproduced, stored in a retrieval system, or transmitted in any form or by any other means, electronic, mechanical, photocopying or otherwise, without prior permission from JCB Sales. All references in this publication to operating weights, sizes, capacities and other performance measurements are provided for guidance only and may vary dependant upon the exact specification of machine. They should not therefore be relied upon in relation to suitability for a particular application. Guidance and advice should always be sought from your JCB Dealer. JCB reserves the right to change specifications without notice. Illustrations and specifications shown may include optional equipment and accessories. The JCB logo is a registered trademark of J C Bamford Excavators Ltd.

33017 en-GB 07/25 Issue 1



WHY JCB

