

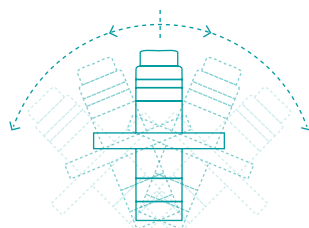
Get ready for the future.

T27

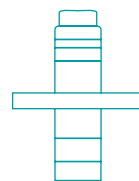
**MARTIN**



# T27



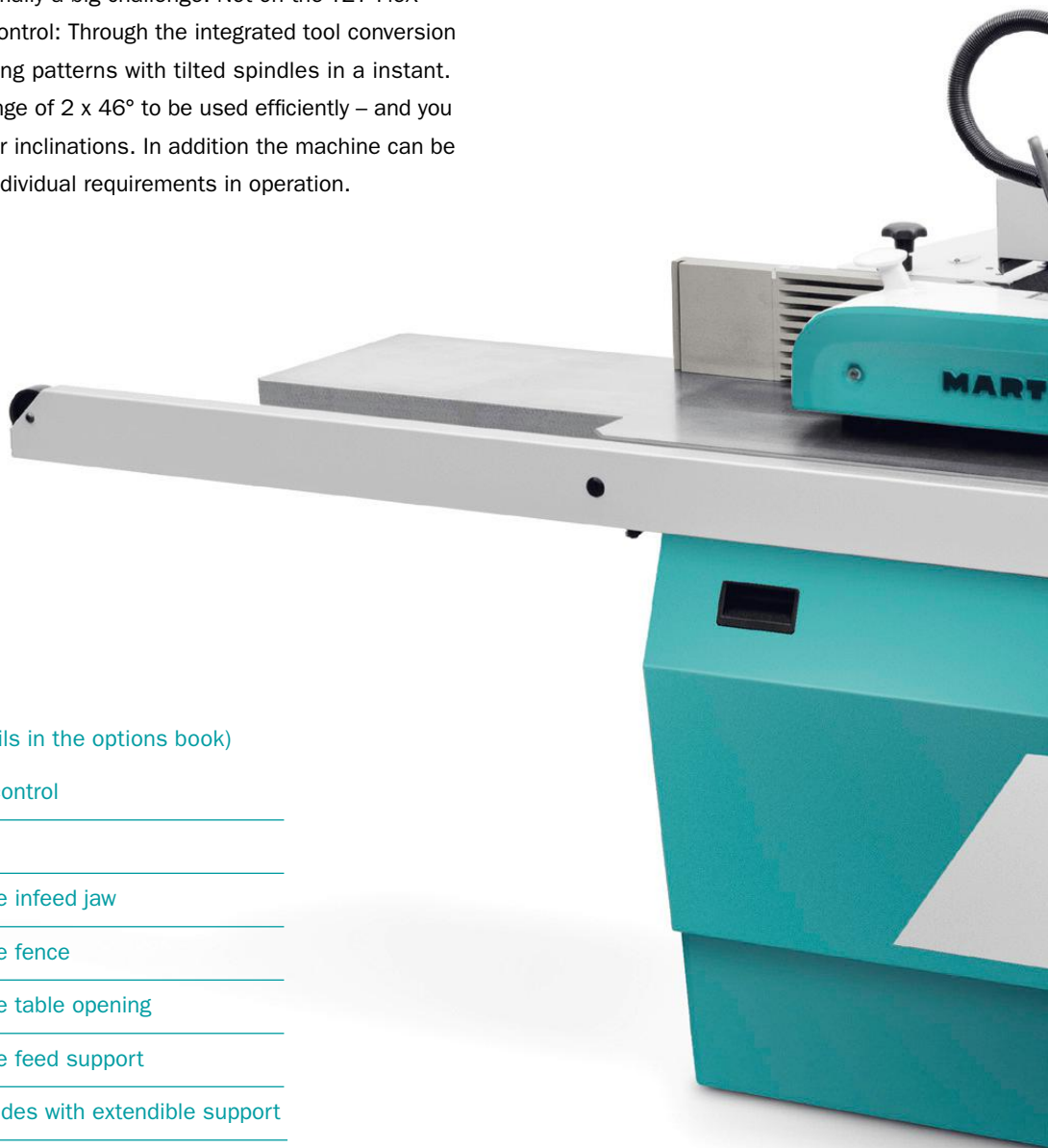
Tilting arbor spindle moulder T27 Flex



Spindle moulder T27 Fix

## Flexibility for today and tomorrow.

Setting up a spindle moulder is normally a big challenge. Not on the T27 Flex thanks to its modern touchscreen control: Through the integrated tool conversion you can also setup complex moulding patterns with tilted spindles in a instant. Only this enables the large tilting range of  $2 \times 46^\circ$  to be used efficiently – and you can do it fully and completely to your inclinations. In addition the machine can be very precisely coordinated to your individual requirements in operation.



### T27 with accessories (further details in the options book)

T2704 | 9.5 kW continuous speed control

T2710 | 10.4" touchscreen control

T2711 | Motorised positioning of the infeed jaw

T2712 | Motorised positioning of the fence

T2714 | Motorised positioning of the table opening

T2715 | Motorised positioning of the feed support

T2731 | Table extensions on both sides with extendible support

T2740 | Centrex guard

T2742 | Integral fence

T2745 | Foldable support for fence

T2770 | Cutter arbor – HSK 63 F quick change system

T2796 | Electronically adjustable feed speed



Intelligent touch-screen control



Discharge by feed support



Quick HSK interface



Electric table rings



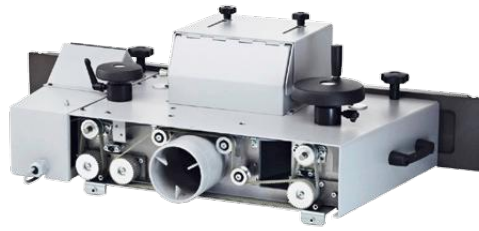
Powerful drive



**MARTIN**

**T27**

Technology of the fence | Standard



## Precision and repetition accuracy as standard.

The fence, which is guided on both sides, ensures the highest precision where it counts. In the basic version of the T27 it is set by hand wheel according to digital display in the control system, the motorised variants are completely electronically controlled. If the fence has to be removed from the machine table, perhaps for moulding at the ring fence, after reassembly thanks to the precise and reliable mechanical fits no more time consuming referencing is required.



Electric motor positionable table opening | T2714

## Continuous distancing for perfect results.

In order to close the gap between tool and table in the best way possible the electrically adjustable ring inserts represent the perfect solution. They are fully integrated into the control and facilitate the setup enormously. Through simple value specification the eccentric rings open or close the gap continuously. So already at the start of setup you don't need to know, which fixed ring you have to insert in the table, but simply subsequently fit the gap quickly and easily. It could hardly be easier.

# Robust, precise and durable construction.



## Intelligent combinations for excellent work.

The machine frame is a stable, thick walled composite structure; a frame construction with a perfection that is only found in MARTIN products. The market is full of many manufacturers who call their frames "composite frames". However, if you take a closer look, you can quickly see that MARTIN is the only manufacturer of standard machines that actually uses the two materials, steel and concrete, in a genuinely composite structure. One component is worthless without the other – it's the intelligent combination that makes the first-class frame. With this frame, the customer gets the perfect base for excellent working.



The unique  
construction of the  
MARTIN composite frames  
leads to incomparable  
stability.

# Modern control for economic efficiency.

Through the consistent user-supporting modern control of the T27 the many mechanical goodies of this machine can be extremely effectively and economically implemented. Each T27 is equipped with a modern, intuitively operable touchscreen control system. Self-explanatory, coloured icons, easy to read text messages and the clear menu structure support even inexperienced users and ensure a first class work result.

Up to six axes are clearly shown, and up to 1,000 tools and 1,000 programmes can be stored. All digital dimension indicators on the T27 always show the real dimension of the tool in relation to the table and the fence jaws. Once the tools or programmes are stored in the control system, they can always be called up again and so calculated. Selection is very simple thanks to a powerful search function.

## Digital display of the infeed jaw position.

The digital display gives you the option of making this setting quickly and very precisely according to the digital display. The crucial advantage is surely that you can also store the position of the electronically recorded cutting jaw position in the programmes. You can therefore use all the benefits of the control system, you only need to take care of the setting yourself manually via hand wheel as before.

10,4" touchscreen control system  
for T27 Fix and Flex | T2710





## Collision detection

If, during the setup process, a tool is accidentally moved on a collision course, the machine, which is equipped with continuous speed control detects this and warns the operator. This creates the highest degree of safety, even for inexperienced operators.

## Collision avoidance

The machine software prevents a collision between machine components (not tools) in the border areas of the travel paths of table rings and the spindle sleeve. This is a significant contribution to the value retention of the machine.



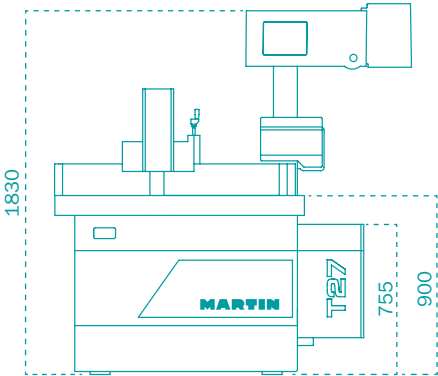
## More convenience with the feed support.

The motorised feed support with its intelligent snap-in mechanism is an option geared towards quick tool change. The height adjustment of the feed unit can easily be defined via control system and moved to, and can also be integrated into the programme. The depth adjustment of the feed can easily be implemented thanks to the ball bearing guide. And if you don't need the feed right now, it can simply be folded to the side – without losing the previously adjusted settings.

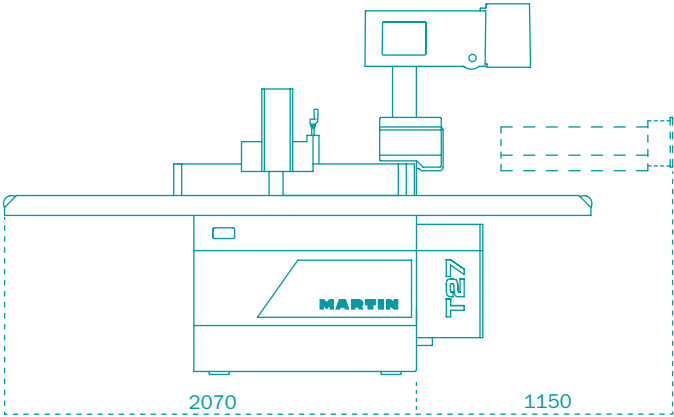
Feed support | T2715



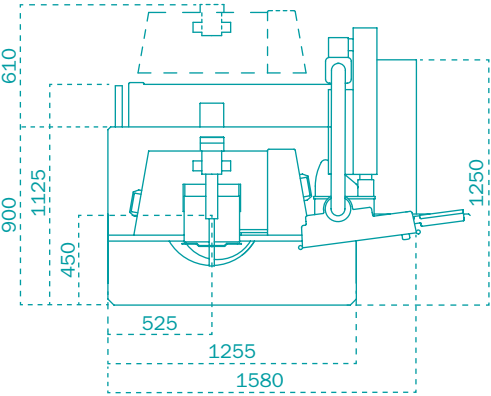
# T27



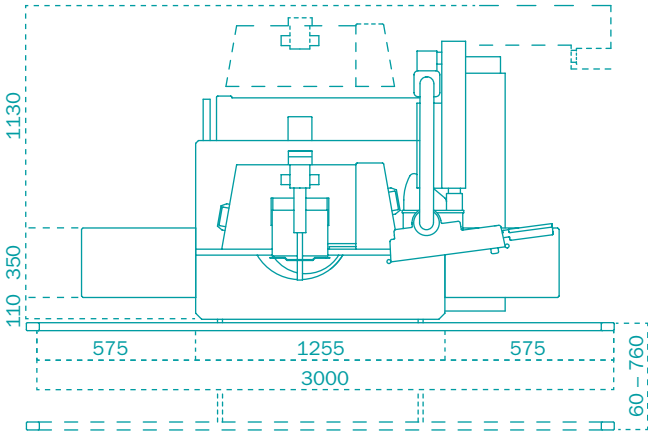
T27 | Side view



T27 with extension of the table length | Side view



T27 | Plan view



T27 with extension of the table length | Plan view

## Technical data

### T12 Spindle moulder

### T27 Spindle and tilting arbor spindle moulder

Motor power optional	5.5 kW 7.5 kW   11.0 kW   continuous: 7.5 kW   9.5 kW	5.0 kW   6.0 kW 7.5 kW   9.5 kW
Control optional	5.7" touchscreen –	5.7" touchscreen 10.4" touchscreen
Control panel	at eye level, inclined, 2x rotation	at eye level, inclined, 2x rotation
Spindle stroke optional	150 mm –	150 mm 125 mm with 7.5   9.5 kW motor
Spindle pivot	– –	T27 Fix: – T27 Flex: ± 46.00°
Rotational speeds optional	3,000   4,500   6,000   8,000   10,000 rpm Cont. speed control 1,000 – 12,000 rpm	3,000   4,000   5,000   6,000   8,000   10,000 rpm Cont. speed control 1,000 – 12,000 rpm
Table opening	255   205   161   106   74 mm	255   205   161   106   74 mm
Display resolution	0.05 mm	0.05 mm   0,01°
Repeat accuracy	± 0.025 mm	± 0.025 mm   ± 0,005°
Extraction connections	2 x 120 mm	2 x 120 mm
Weight	approx. 950 – 1,200 kg	approx. 1,200 – 1,600 kg

The machines generate very little dust as per BGI 739-1 Annex 1.

All dimensions in millimetres. Manufactured in Germany.

Dimensions and specifications subject to technical innovation and may be changed without notice.

Illustrations may differ from the original. The binding technical features and equipment are given in the applicable price list.

Visit us at:

Website



Facebook



YouTube



Brochure



Contact us at:  
+49 (0) 8332 911 - 0  
[sales@martin.info](mailto:sales@martin.info)

**MARTIN**