

Model AMT

Dewpoint Transmitter 4-20mA. Ranges available between -120°C to +20°C (-184°F to +68°F) dewpoint

Model AMT Dewpoint Transmitter is a two wire 4-20mA loop powered transmitter, used for continuous measurement of moisture in dry process gases or dry compressed air, which will output a linear 4-20mA signal corresponding to the dewpoint temperature. The Model AMT transmitter can also be factory configured to output a 4-20mA linear signal for any other moisture unit e.g. ppm(v), ppm(w), g/m³, lb/MMSCF etc.

Fast Response - Stable - Reliable - Accurate - Easy to Install.

The Ultra High Capacitance sensing element is long lasting and offers excellent sensitivity, repeatability and response speed. Each unit is supplied with a Certificate of Calibration, traceable to International Humidity Standards, validating accuracy better than ±2°C dewpoint.



FEATURES

- 2 Wire Loop Powered Dewpoint Transmitter
- Overall Range: -120°C to +20°C Dewpoint
- Accuracy better than ± 2°C Dewpoint
- INTEGRATED AUTOMATIC CALIBRATION
- Can be configured for linear 4-20mA signal in: °C & °F Dewpoint, ppm(v), ppb(v), g/m³, lb/MMSCF
- Temperature Compensation
- Failure Diagnostics
- Long Term Stability
- Fast Response Time
- IP66 / NEMA4X Protection

The transmitter also incorporates an Automatic Calibration (AUTOCAL) feature, which allows the user to carry out a field calibration / span check. The **AUTOCAL feature** is operated by two small button switches built within the transmitter enclosure. To avoid tamper, the switches are locked in normal use and can only be activated by following a specific routine from the manual.

The integral RISC microprocessor circuitry of the **Model AMT** transmitter allows high resolution with advanced self diagnostics for fault conditions. It also enables periodic re-calibration of the moisture sensor, storing calibration data within the fully self contained unit. Loop powered by a 7V to 28V dc source, the **Model AMT** transmitter will provide a linear 4-20mA signal over the chosen range.

The mechanics of the **Model AMT** transmitter have been designed to cope with extreme environmental conditions. The rugged stainless steel construction offers protection to IP66 (NEMA4X), with the transmitter electrical connections made via a secure industrial connector.

Model AMT transmitter can withstand 35,000 kPa (350bar) maximum pressure and by employing a low resistance cable, the transmitter can be located at significant distances, in excess of 1000 metres, from the control room.

Designed with the operator in mind for reliable and accurate measurements, the **Model AMT** transmitter is extremely easy to install and operate, requiring little or no maintenance.

The **Model AMT** transmitter is supplied with a Certificate of Calibration, an instruction manual and 2m connecting cable.

Specifications

MODEL AMT Dewpoint Transmitter

4-20mA Loop Powered Transmitter

TRANSMITTER TYPE: 2 Wire, 4-20mA Loop Powered Transmitter

OUTPUT SIGNAL: 4 to 20mA Linear

OPERATING VOLTAGE: 7V - 28V dc. Reverse polarity protected.

MAXIMUM SERIES RESISTANCE: = {40 x (Supply Voltage - 7)} ohms

SENSING ELEMENT: Ultra High Capacitance - Aluminium Oxide Type

RANGES: See How to Order Below

AUTOCAL: Field calibration / Span check facility. Activated and operated via two button switches on the Transmitter body. Locked in normal operating mode to avoid tamper.

FACTORY CALIBRATION: Supplied with Certificate of Calibration traceable to NPL / NIST

ACCURACY: Better than $\pm 2^{\circ}\text{C}$ dewpoint (NPL / NIST traceable for range -90°C to $+20^{\circ}\text{C}$)

TEMPERATURE COEFFICIENT: Temperature compensated for operating range.

REPEATABILITY: Better than $\pm 0.3^{\circ}\text{C}$ dewpoint

OPERATING TEMPERATURE: -20°C to $+60^{\circ}\text{C}$

STORAGE TEMPERATURE: -20°C to $+70^{\circ}\text{C}$

OPERATING PRESSURE: From 1kPa (0.01 barA) to Maximum 35,000kPa (350 barA)

OPERATING HUMIDITY (External): Maximum - 95% RH Non-condensing

SAMPLE FLOW RATE: Flow independent but ideally 2 to 5 litres per minute. Max: 25 litres/min.

CABLE TERMINATIONS: IP66 (NEMA4X) rated, size C, DIN EN 175301 connector at the Transmitter and other end terminated with bootlace ferrules.

CABLE: Supplied with 2m standard cable. Nominal diameter 3.4mm, 92ohms/km at 20°C

ELECTROMAGNETIC COMPATIBILITY (EMC):

Complies to BS EN 61326-1

WARM UP TIME: 10 seconds

FAULT CONDITIONS:

Open Circuit : Output drives to 20.50mA

Short Circuit : Output drives to 20.75mA

ISOLATION: Sensing Element connected to the 4-20mA loop but isolated from Transmitter body.

TRANSMITTER ENCLOSURE: 316 Stainless steel body with size C, DIN EN 175301 connector.

SENSOR PROTECTION: 316 Sintered stainless steel filter - 50 micron

PROBE MATERIAL (WETTED PARTS): 316 Stainless Steel

WEATHERPROOF CLASSIFICATION: IP66 / NEMA4X when Connector mated to Transmitter.

MECHANICAL CONNECTION: 3/4" UNF (16tpi) with integral Viton "O" ring seal.

MECHANICAL WARRANTY: 24 months in case of faulty workmanship and defective parts.

CALIBRATION WARRANTY: 12 months.

ACCESSORIES INCLUDED: Standard 2 meter connecting cable.

How to Order - Step 1 of 4

Select a Range Below

Model AMT- [X]

SD(F):	-100°C to +20°C (-148°F to +68°F) dewpoint	} resolution = 0.1°C / °F
LD(F):	-120°C to +20°C (-184°F to +68°F) dewpoint	
HD(F):	-65°C to +20°C (-85°F to +68°F) dewpoint	
SILVER	-110°C to -20°C (-166°F to -4°F) dewpoint	
RED	-80°C to -20°C (-112°F to -4°F) dewpoint	
GREY	-80°C to 0°C (-112°F to +32°F) dewpoint	
BLUE	-80°C to +20°C (-112°F to +68°F) dewpoint	
PURPLE	-100°C to 0°C (-148°F to +32°F) dewpoint	
SP:	1 to 1000 ppm(v) - - - - - resolution = 1ppm	
MP:	0.1 to 100.0 ppm(v) - - - resolution = 0.1ppm	
LP:	0.01 to 10.00 ppm(v) - resolution = 0.01ppm	
PB:	1 to 1000 ppb(v) - - - - - resolution = 1ppb	
HG:	0.01 to 10.00 g/m3 - - resolution = 0.01g/m3	
LG:	0.001 to 1.000 g/m3 - resolution = 0.001g/m3	
LB:	0.1 to 100 lb/MMSCF	



Order Example:- Dewpoint Transmitter Model DS1200-AMT-SDC(F) = -100°C to $+20^{\circ}\text{C}$ dp Model DS1200-AMT COMES COMPLETE WITH A STANDARD 2 METRE CONNECTING CABLE.

How to Order - Step 2 of 4

Select A Longer Cable Below

CAB069-AMT + [XX]

Your AMT Transmitter comes complete with 2 metres of connecting cable as standard.

To order a longer length in metres, add number after this part number.

Example: CAB069-AMT-10 for 10 metres

Non-Standard off the shelf cables available in 3, 4, 5, 10, 12, 15, 25m lengths. For longer lengths please call.

AMT Standard Cable 2 Meters



Part No. CAB069-AMT

How to Order - Step 3 of 4

Order a Display Below

Model DS1200



- Perfect for continuous online measurements
- Fast Response
- 22V – 253V AC or DC operation
- Single channel in-line hygrometer
- Panel protection to IP65 (NEMA4X)
- 2 independent alarms

For more details please see data sheet DS1200.

How to Order - Step 4 of 4

Select a Transmitter Holder

Comes complete with mounting plate.

SH-AMT + [X] [X]

X = Choose INLET Pipe Fitting

0 = None 1/8" NPT Port

4 = 1/4" - Pipe OD

8 = 1/8" - Pipe OD

6 = 6mm - Pipe OD

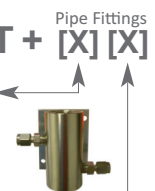
X = Choose OUTLET Pipe Fitting

0 = None 1/8" NPT Port

4 = 1/4" - Pipe OD

8 = 1/8" - Pipe OD

6 = 6mm - Pipe OD

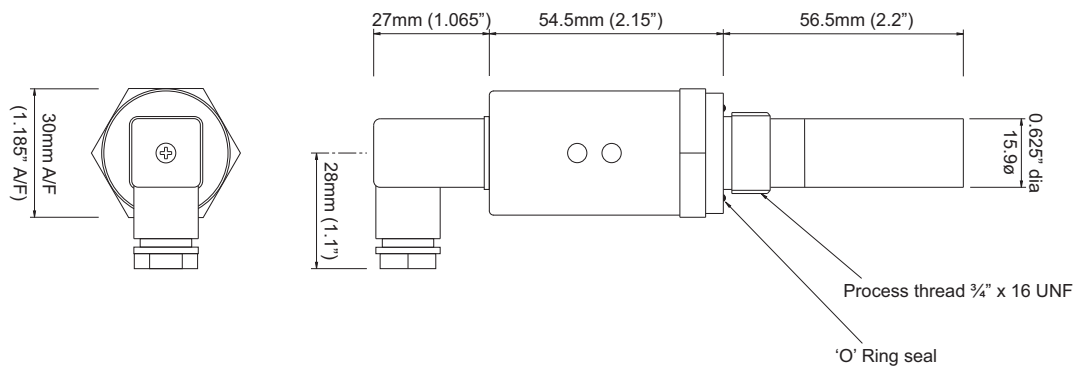


Order Example:- For Transmitter Holder with 2 x 1/4 fittings Order SH-AMT-4-4

Dimensions

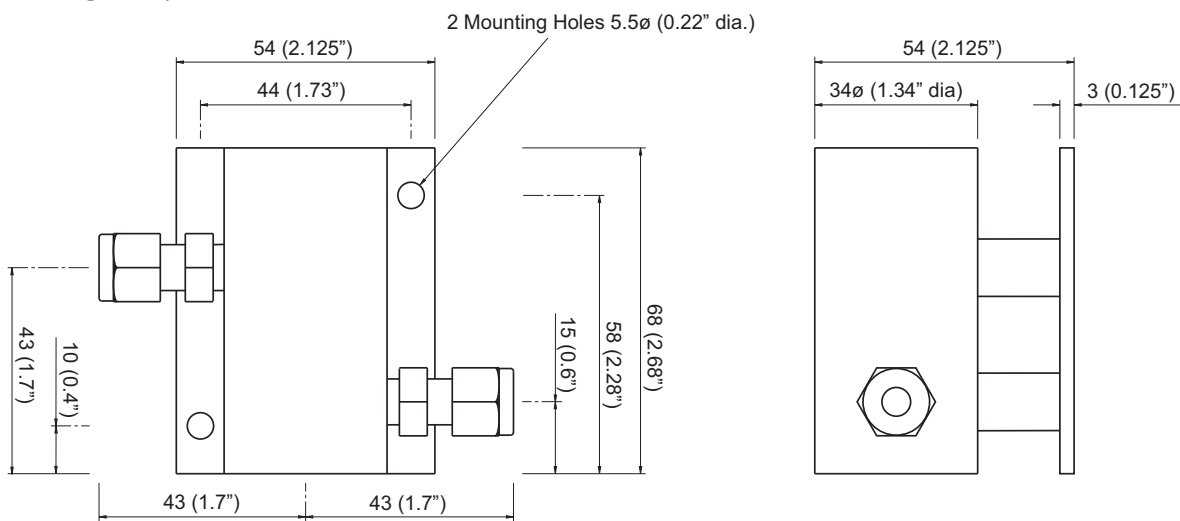
Model AMT Dewpoint Transmitter

4-20mA Loop Powered Transmitter



Model SH-AMT Transmitter Holder

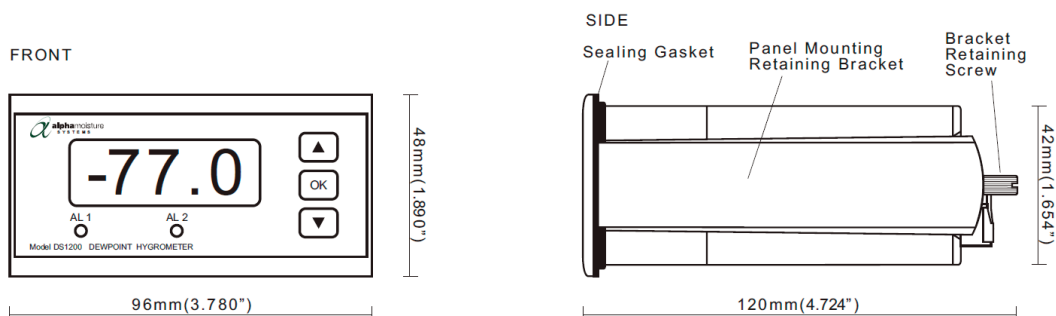
Flow Through Sample Cell



Note: The Assembly is shown with 1/4" OD tube fittings. The dimensions across the tube fittings will vary for all other size fittings.

Model DS1200 Display

Stable, Accurate and Reliable Alarmed Monitor



Corrosive Gases: The Sensor should not be exposed to corrosive gases (or corrosive contaminants in the gas sample) as these can chemically attack the sensor, impairing calibration accuracy and/or damaging it beyond economic repair. Examples of such gases are mercury (Hg), ammonia (NH₃), chlorine (Cl₂) etc. Strong oxidising agents such as ozone (O₃) should also be prevented from coming into contact with the sensor.

Alpha Moisture Systems Limited.
Registered Office: Alpha House,
96 City Road, Bradford, BD8 8ES. UK.



Registered in England and Wales No. 3902302
VAT Registration No. GB607207563
WEEE Producer Registration No. WEEE/EA0067TX

Tel +44 (0) 1274 733100

Email info@amsystems.co.uk

Website www.amsystems.co.uk