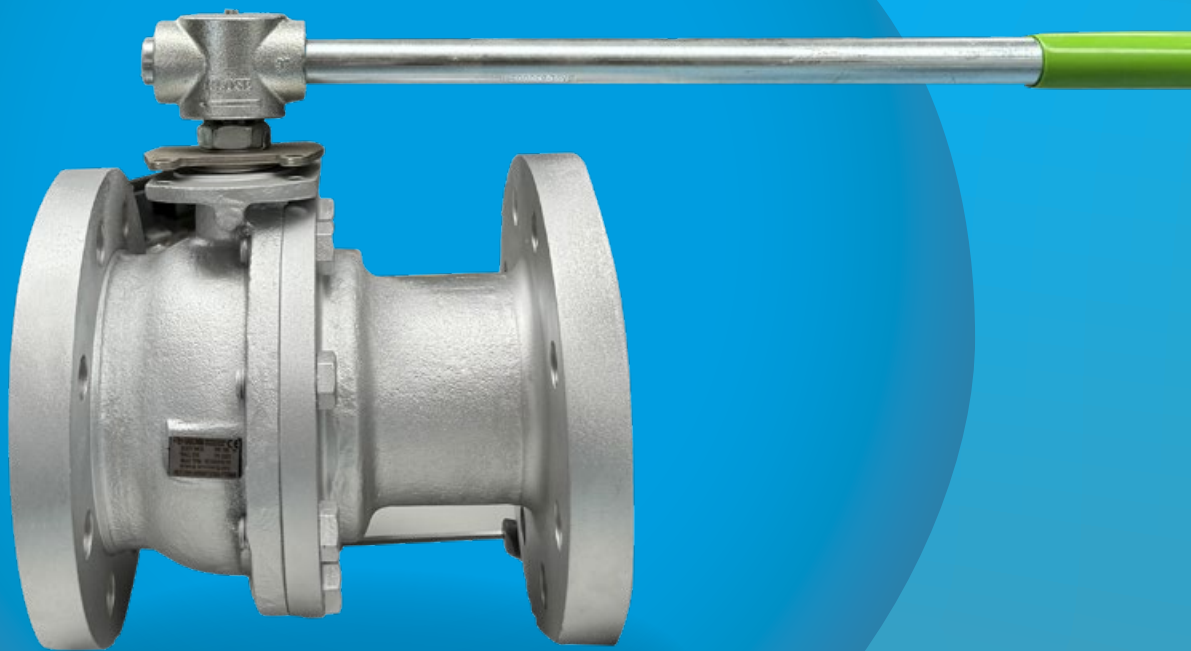


HABONIM

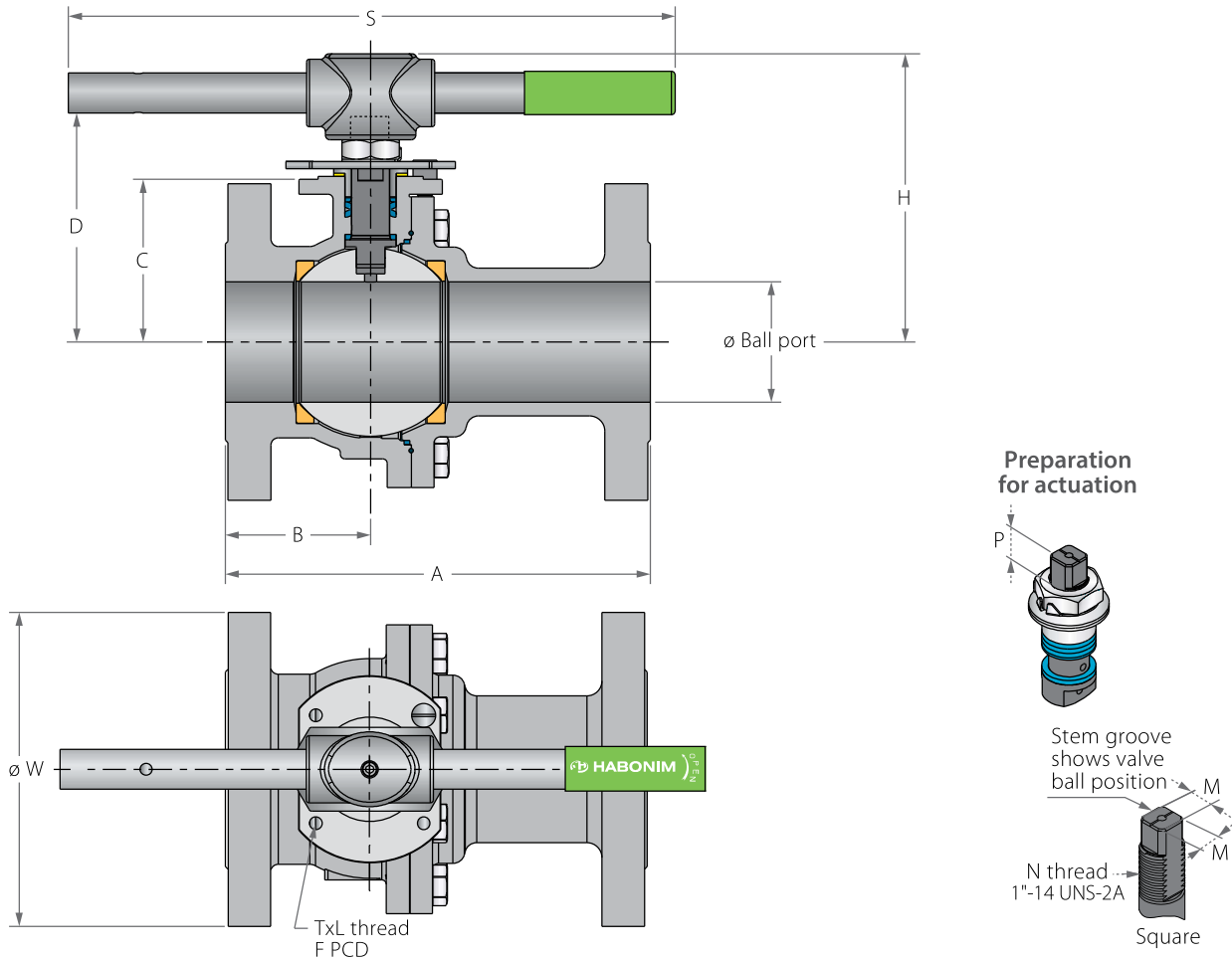
74-series Flanged 4" Ball Valve



HABONIM 74 series flanged 4" ball valve

FLOATING BALL FLANGED - DN65-DN200 | Class 150/300

Valve dimensions



| 73 74 2½"-8" | | | | | | | | | | | | | | | | | | | | | |
|--------------|------|-----------|-------|-------|-------|-------|------|-------|-------|-------|-------|-------|-------|-------|--------|------------|------|---------|--------------|-------|------|
| Std. port | Unit | Ball port | A | | B | | C | D | H | S | W | | M | M-DD | N | P | F | TxL | Weight kg/lb | | Kv |
| | | | 150 | 300 | 150 | 300 | | | | | 150 | 300 | | | | | | | 150 | 300 | |
| DN65 | mm | 65 | 190 | 241 | 83 | - | 119 | 165.5 | 194.8 | 400 | 180 | 190 | 18.9 | 15.9 | 1"-14 | 16.7 (F10) | 102 | M10x20 | - | - | - |
| 2½" | inch | 2.56 | 7.48 | 9.48 | 3.26 | - | 4.76 | 6.51 | 7.67 | 15.75 | 7.08 | 7.48 | 0.74 | 0.63 | UNS-2A | 0.66 | 4.02 | M10x20 | - | - | - |
| DN80 | mm | 80 | 203 | 282.5 | 77.5 | 96.4 | 108 | 154.6 | 194.8 | 400 | 191 | 210 | 18.9 | 15.9 | 1"-14 | 16.7 (F10) | 102 | M10x20 | 22 | 28.2 | 1111 |
| 3" | inch | 3.20 | 7.99 | 11.12 | 3.05 | 3.80 | 4.25 | 6.09 | 7.67 | 15.75 | 7.52 | 8.27 | 0.74 | 0.63 | UNS-2A | 0.66 | 4.02 | M10x20 | 48.5 | 62.2 | 1300 |
| DN100 | mm | 100 | 228.5 | 304.8 | 84.5 | 104.5 | 124 | 170.5 | 211 | 610 | 230 | 254 | 18.9 | 15.9 | 1"-14 | 16.7 (F10) | 102 | M10x20 | 39 | 44.5 | 2051 |
| 4" | inch | 3.94 | 9.00 | 12.00 | 3.33 | 4.11 | 4.88 | 6.69 | 8.31 | 24.02 | 9.06 | 10.00 | 0.74 | 0.63 | UNS-2A | 0.66 | 4.02 | M10x20 | 86 | 98.1 | 2400 |
| DN150 | mm | 150 | 394 | 403.5 | 163.5 | 174.5 | 179 | 248.5 | 308 | 916 | 279.4 | 328 | 28.45 | 23.75 | 1½"-12 | 26.2 (F12) | 125 | M12x20 | 82 | 100 | 4615 |
| 6" | inch | 5.91 | 15.51 | 15.89 | 6.44 | 6.87 | 7.05 | 9.78 | 12.13 | 36.06 | 11.00 | 12.91 | 1.12 | 0.94 | UNS-2A | 1.03 | 4.92 | M12x20 | 180.8 | 220.5 | 5400 |
| DN200 | mm | 200 | 457.2 | 502 | 242.5 | 241 | 241 | 353.7 | - | - | 460 | 460 | 35.92 | 35.92 | 2"-8 | 37.5 (F14) | 140 | M16x240 | 190 | 225 | 7949 |
| 8" | inch | 7.87 | 18.00 | 19.76 | 9.55 | 9.49 | 9.49 | 13.92 | - | - | 18.11 | 18.11 | 1.41 | 1.41 | UNS-2A | 1.48 | 5.51 | M16x240 | 418.9 | 496 | 9300 |

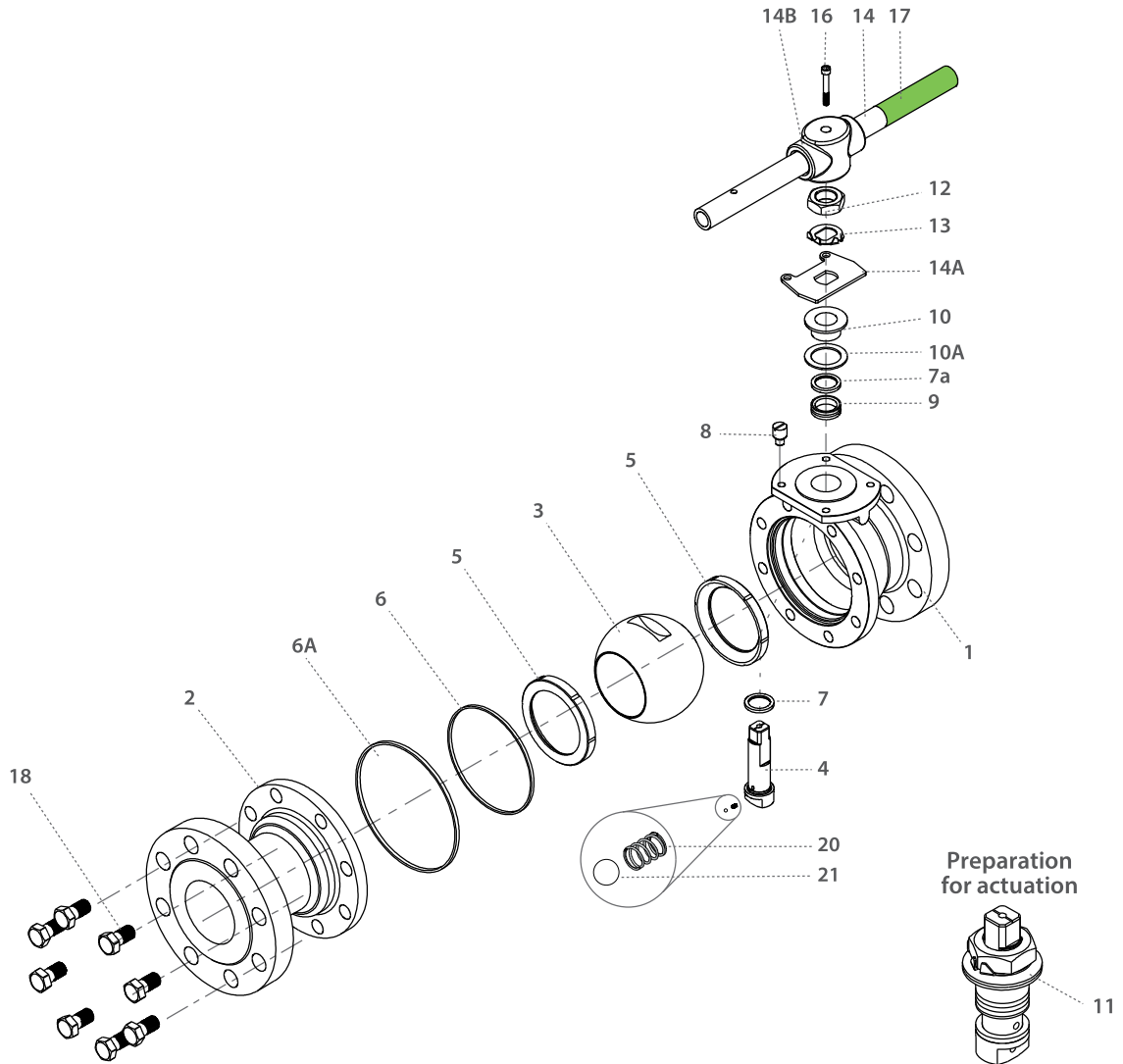
| 78 2½" 77 3"-8" | | | | | | | | | | | | | | | | | | | | |
|-----------------|------|-----------|---------|------|-------|------|---------|---------|-------|-------|---------|-------|-------|--------|------------|------|--------|--------------|------|------|
| Std. port | Unit | Ball port | A 16/40 | | B | | C 16/40 | D 16/40 | H | S | W 16/40 | M | M-DD | N | P | F | TxL | Weight kg/lb | | Kv |
| | | | F5/F1 | F4 | 16 | 40 | | | | | | | | | | | | F5 | F4 | |
| DN65 | mm | 65 | - | 170 | 83 | 70 | 119 | 165.5 | 194.8 | 400 | 185 | 18.9 | 15.9 | 1"-14 | 16.7 (F10) | 102 | M10x20 | - | - | - |
| 2½" | inch | 2.56 | - | 6.69 | 3.26 | 2.75 | 4.68 | 6.51 | 7.67 | 15.75 | 7.28 | 0.74 | 0.63 | UNS-2A | 0.66 | 4.02 | M10x20 | - | - | - |
| DN80 | mm | 80 | - | 180 | 77.5 | - | 108.00 | 162 | 194.8 | 400 | 200 | 18.9 | 15.9 | 1"-14 | 16.7 (F10) | 102 | M10x20 | - | 24 | 1111 |
| 3" | inch | 3.20 | - | 7.09 | 3.05 | - | 4.25 | 6.40 | 7.67 | 15.75 | 7.87 | 0.74 | 0.63 | UNS-2A | 0.66 | 4.02 | M10x20 | - | 52.8 | 1300 |
| DN100 | mm | 100 | - | 190 | 84.5 | - | 132.00 | 186 | 211 | 610 | 225 | 18.9 | 15.9 | 1"-14 | 16.7 (F10) | 102 | M10x20 | - | 30 | 2051 |
| 4" | inch | 3.94 | - | 7.48 | 3.33 | - | 5.20 | 7.32 | 8.31 | 24.02 | 8.86 | 0.74 | 0.63 | UNS-2A | 0.66 | 4.02 | M10x20 | - | 66 | 2400 |
| DN150 | mm | 150 | 350 | - | 163.5 | - | 178.00 | 236 | 308 | 916 | 328 | 28.45 | 23.75 | 1½"-12 | 26.2 (F12) | 125 | M12x20 | 63 | - | 4615 |
| 6" | inch | 5.91 | 13.78 | - | 6.44 | - | 7.01 | 9.29 | 12.13 | 36.06 | 12.91 | 1.12 | 0.94 | UNS-2A | 1.03 | 4.92 | M12x20 | 139 | - | 5400 |
| DN200 | mm | 200 | 400 | - | 242.5 | - | 226.00 | 286 | - | - | 395 | 35.92 | 35.92 | 2"-8 | 37.5 (F14) | 140 | M16x24 | 97 | - | 7949 |
| 8" | inch | 7.87 | 15.75 | - | 9.55 | - | 8.91 | 11.26 | - | - | 15.55 | 1.41 | 1.41 | UNS-2A | 1.48 | 5.51 | M16x24 | 213 | - | 9300 |

* IN STOCK

HABONIM 74 series flanged 4" ball valve

FLOATING BALL FLANGED | DN65-DN200 | Class 150/300

Components & materials



| Item | Description | Material specification | Qty. |
|------|--------------------|----------------------------|------|
| 1 | Body | Acc. Ordering Code | 1 |
| 2 | End | Acc. Ordering Code | 1 |
| 3 | Ball | Acc. Ordering Code | 1 |
| 4 | Stem | Acc. Ordering Code | 1 |
| 5* | Seat | Acc. Ordering Code | 2 |
| 6* | Inner Seal | PTFE | 1 |
| 6A* | Outer Seal | Acc. Ordering Code | 1 |
| 7* | Stem Thrust Seal | VIRGIN PEEK, PCTFE (KEL-F) | 1 |
| 7a* | Anti-Abrasion Ring | VIRGIN PEEK, PCTFE (KEL-F) | 1 |
| 8 | Stop Pin | S. Steel | 1 |
| 9* | Stem Seal | CF PTFE, TFM | 1 |
| 10 | Follower | S. Steel | 1 |
| 10A* | Slide Bearing | S. Steel | 1 |
| 11 | Disc Spring | S. Steel | 2 |

| Item | Description | Material specification | Qty. |
|------|---------------------|------------------------|------|
| 12 | Stem Nut | S. Steel | 1 |
| 13 | Tab Lock Washer | A240 304 | 1 |
| 14** | Handle | S. Steel | 1 |
| 14A | Stop Plate | S. Steel | 1 |
| 14B | Wrench Head | S. Steel | 1 |
| 16 | Wrench Bolt | S. Steel | 1 |
| 17 | Sleeve | PVC | 1 |
| 18 | Body Bolts | S. Steel | 8-12 |
| 20 | Anti-Static Spring | S. Steel | 2 |
| 21 | Anti-Static Plunger | S. Steel | 2 |
| 23 | Tag (not shown) | S. Steel | 1 |

* Repair kit components

** Gear operator should be used for size 8" DN200 (handle components are not included)



FLOWTEKNIK
SCANDINAVIA APS

Metalgangen 13
DK-2690 Karlslunde
Denmark
Phone (+45) 73 84 12 30
info@pgflowteknik.dk
www.pgflowteknik.dk

PG FLOWTEKNIK SCANDINAVIA
ARE AUTHORIZED DISTRIBUTORS OF:

