



Description & Features:

- Quality series for all sanitary gauge systems
- Food grade glycerin filling standard
- High polish finish
- Crack/breakage-resistant polycarbonate lens standard
- Clean-In-Place and steam-in-place design
- CRN registered
- 5 year warranty

Applications:

- Built to withstand all sanitary applications where 3A approval is required including food, beverage and dairy installations



Specifications

Dial	2.5" (63mm), 4" (100mm) aluminum
Case	304 SS, polished
Bezel	304 SS, polished
Lens	Polycarbonate
Over-range Capability	Over pressure limit: 25% up to 600 psi 15% up to 1,000 psi
CIP Temperature Limit	250°F (121°C) continuous
SIP Temperature Limit	266°F (149°C) 1 hour, dry
Bourdon Tube	316 SS
Socket	316 SS
Movement	304 SS
Enclosure Rating	IP65/NEMA 4X
System Fill	Food grade glycerin standard (Mineral oil, silicone and Neobee-20 optional)
Case Fill	Food grade glycerin standard (Dry, mineral oil, silicone and Neobee-20 optional)
Re-zero Feature	Adjustable micrometer pointer (4" dial only)
Wetted Parts	316L SS, Ra = 8 microinches
Ambient Temperature	Glycerin filled: 40°F to 150°F (4°C to 65°C)
Process Temperature	0°F to 250°F (-18°C to 121°C)
Accuracy	2.5" (63mm): ±1.5% of full scale 4" (100mm): ±1.0% of full scale
Agency Compliance	3A standard 74-05

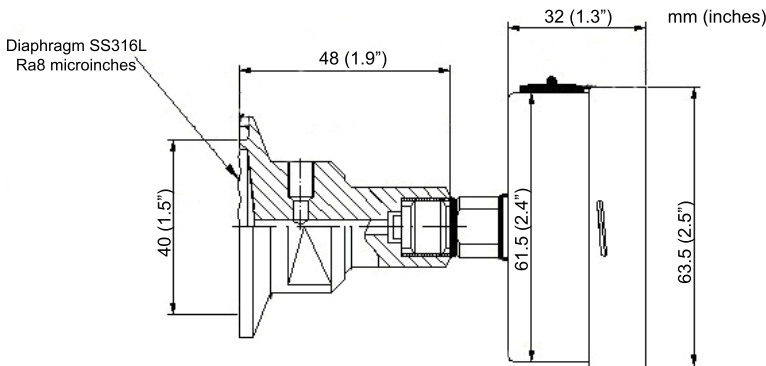
Order Codes (products in bold are normally in stock)

Dial Size	2.5" (63mm)				4" (100mm)			
	1.5" (40mm)		2" (50mm)		1.5" (40mm)		2" (50mm)	
Tri-Clamp®	1.5" (40mm)		2" (50mm)		1.5" (40mm)		2" (50mm)	
Connection	Bottom	Back	Bottom	Back	Bottom	Back	Bottom	Back
30"/0/30 psi/bar	PSQ15798	PSQ15798B	PSQ20798	PSQ20798B	PSQ151021	PSQ151021B	PSQ201021	PSQ201021B
30"/0/60 psi/bar	PSQ15799	PSQ15799B	PSQ20799	PSQ20799B	PSQ151022	PSQ151022B	PSQ201022	PSQ201022B
30"/0/100 psi/bar	PSQ15791	PSQ15791B	PSQ20791	PSQ20791B	PSQ151023	PSQ151023B	PSQ201023	PSQ201023B
30"/0/150 psi/bar	PSQ15793	PSQ15793B	PSQ20793	PSQ20793B	PSQ151025	PSQ151025B	PSQ201025	PSQ201025B
30"/0/200 psi/bar	PSQ15794	PSQ15794B	PSQ20794	PSQ20794B	PSQ151026	PSQ151026B	PSQ201026	PSQ201026B
30"/0/300 psi/bar	PSQ15795	PSQ15795B	PSQ20795	PSQ20795B	PSQ151027	PSQ151027B	PSQ201027	PSQ201027B
0 - 30 psi/bar	PSQ15802	PSQ15802B	PSQ20802	PSQ20802B	PSQ15602	PSQ15602B	PSQ20602	PSQ20602B
0 - 60 psi/bar	PSQ15803	PSQ15803B	PSQ20803	PSQ20803B	PSQ15603	PSQ15603B	PSQ20603	PSQ20603B
0 - 100 psi/bar	PSQ15804	PSQ15804B	PSQ20804	PSQ20804B	PSQ15604	PSQ15604B	PSQ20604	PSQ20604B
0 - 160 psi/bar	PSQ15805	PSQ15805B	PSQ20805	PSQ20805B	PSQ15605	PSQ15605B	PSQ20605	PSQ20605B
0 - 200 psi/bar	PSQ15806	PSQ15806B	PSQ20806	PSQ20806B	PSQ15606	PSQ15606B	PSQ20606	PSQ20606B
0 - 300 psi/bar	PSQ15807	PSQ15807B	PSQ20807	PSQ20807B	PSQ15607	PSQ15607B	PSQ20607	PSQ20607B
0 - 600 psi/bar	PSQ15808	PSQ15808B	PSQ20808	PSQ20808B	PSQ15608	PSQ15608B	PSQ20608	PSQ20608B
0-1000 psi/bar	PSQ15809	PSQ15809B	PSQ20809	PSQ20809B	PSQ15609	PSQ15609B	PSQ20609	PSQ20609B

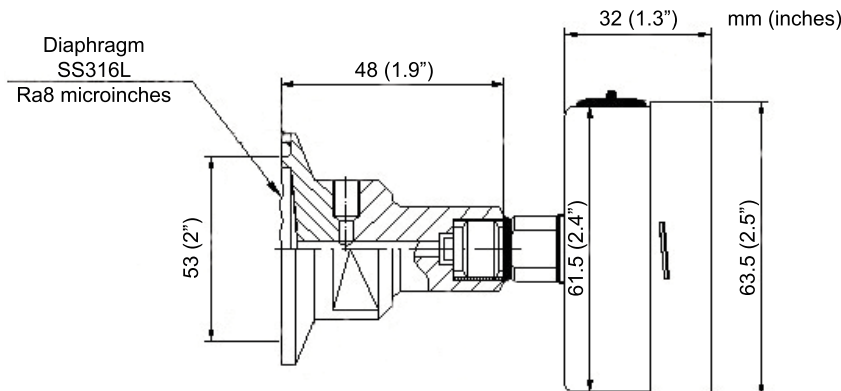
Other ranges available upon request. For scale change, refer to How to Order Guide for scale codes.

Tri-Clamp® is a registered trade mark of Tri-Clover

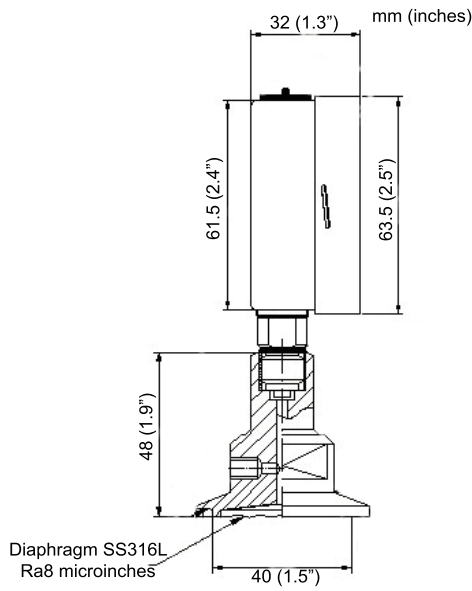
2.5" Back Connection 1.5" Tri-Clamp®



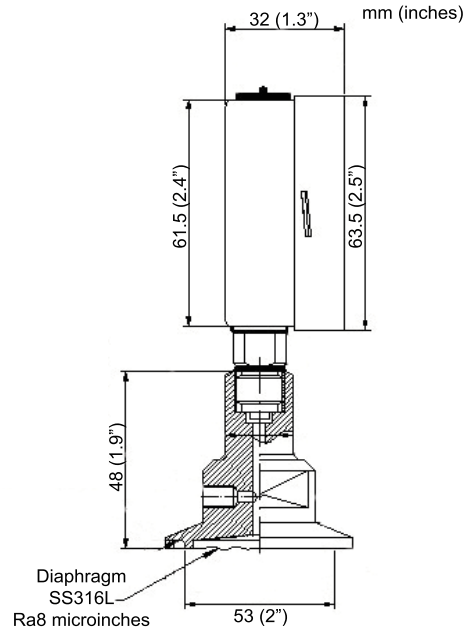
2.5" Back Connection 2" Tri-Clamp®



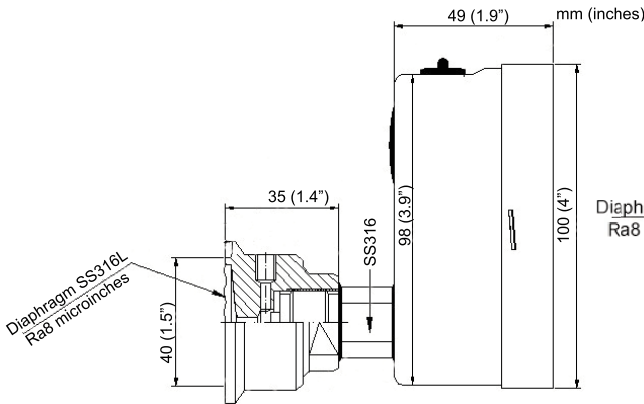
2.5" Bottom Connection 1.5" Tri-Clamp®



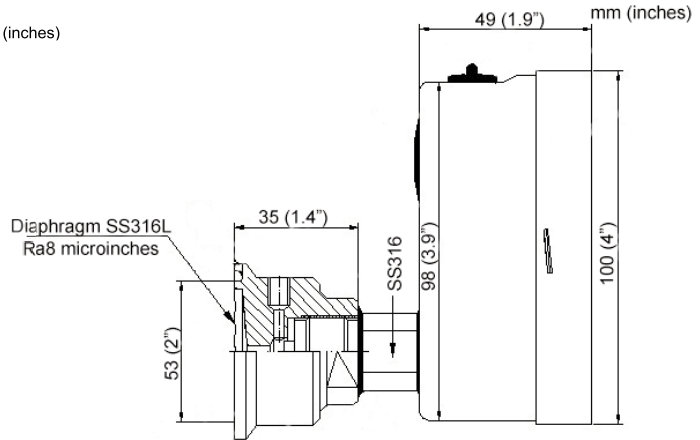
2.5" Bottom Connection 2" Tri-Clamp®



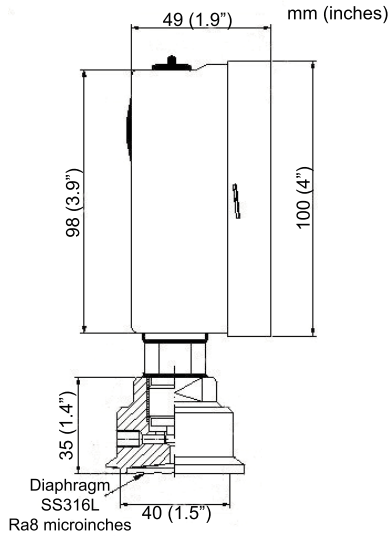
4" Lower Back Connection 1.5" Tri-Clamp®



4" Lower Back Connection 2" Tri-Clamp®



4" Bottom Connection 1.5" Tri-Clamp®



4" Bottom Connection 2" Tri-Clamp®

