

## NETWORK ANALYZER - MTA36

MTA36 measuring transformers stand out because of their easy installation and the large number of network parameters it can measure. These measurement power meters are designed for the calculation and measurement of the electrical variables, voltage, current, frequency, power, power factor, energy, harmonic components...; of a power distribution network. It is available for both single-phase and three-phase (**3P4W**) measurement.

Its revolutionary design brings together in the same device the measuring transformer and the network power meter, which together with its communication possibilities create a versatile and easy to install device.

### GENERAL FEATURES

- **EASY INSTALLATION**
- **INSULATION PIERCING SYSTEM FOR VOLTAGE**
- **THD on V and I.**
- **HARMONIC RMS (2-31).**
- **LoRa® COMMUNICATION\*.**
- **MAXIMUM DEMAND.**
- **4 QUADRANT MEASUREMENT.**
- **MAXIMUM AND MINIMUM VALUES.**
- **AVERAGE VALUES**



ELECTRICAL PARAMETER	UNIDAD	L1	L2	L3	TOTAL	V. MEDIOS	MAX/MIN	DEMANDA
<b>Voltage (Phase - Neutral)</b>	V, kV	•	•	•		•	•	
<b>Voltage (Phase - Phase)</b>	V, kV	•	•	•		•	•	
<b>Current</b>	A, kA	•	•	•		•	•	•
<b>Neutral current</b>	A, kA				•	•	•	
<b>Active power (P)</b>	kW, MW, GW	•	•	•	•	•	•	•
<b>Reactive power (Q)</b>	kvar, Mvar, Gvar	•	•	•	•	•	•	•
<b>Apparent power (S)</b>	kVA	•	•	•	•	•	•	•
<b>Power factor (Cos φ)</b>	PF	•	•	•	•	•	•	
<b>Frequency</b>	Hz				•			
<b>Import active energy (EP+)</b>	kWh, MWh, GWh				•			
<b>Export active energy (EP-)</b>	kWh, MWh, Gwh				•			
<b>Import reactive energy (Eq+)</b>	kvarh, Mvarh, Gvarh				•			
<b>Export reactive energy (Eq-)</b>	kvarh, Mvarh, Gvarh				•			
<b>Puncture Temperature</b>	°C				•			
<b>THD Current and Voltage</b>	A, V	•	•	•				
<b>Harmonic RMS-U and I (2-31)</b>	%	•	•	•				
<b>Unbalanced -U and I</b>	%				•			

### EASY INSTALLATION

- Power meter integrated in the transformer
- Insulation piercing system for measuring voltage
- Up to 36 mm diameter
- Wireless\*

### COMMUNICATION

- \*Wireless communication via LoRa®
- Up to 16 difference communication channels
- RS485 communication
- ModBus-RTU protocol

MODEL	
MTA36L1	LoRa®single-phase power meter
MTA36R1	Rs485 single-phase power meter
MTA36L3	LoRa®three-phase power meter
MTA36R3	Rs485 three-phase power meter
MTA36F3	Auxiliary transformer
MTA36-IFLORA	RS-485/LoRa® Interface

## TECHNICAL SPECIFICATIONS

INPUT	
Rated voltage (Un)	3×230/400 V C.A.
Overload	1,2 Un
Impedance	≥ 1.7 MΩ/phase
Rated current	50 (600) A
Overload continuous	1.2 In
Overload instantaneous	10 In/5s
Burden	≤ 0.2 VA /phase
Rated value	< 20 mΩ/phase
Cable section	Minimum: 16 mm <sup>2</sup> Maximum: 510 mm <sup>2</sup>

AUXILIARY VOLTAGE	
Aux. V. AC/DC	80 - 270 V
Burden	≤ 5VA

OUTPUT	
RS-485 port	ModBus
Transmission rate	Up to 9,600 bps programmable
Connection	2 wire
LoRa®	Up to 9,600 bps programmable
max distance	Up to 1,000 m indoor Up to 10,000 m outdoor

GENERAL FEATURES	
Dimensions	88.5 x 71 x 204 mm
Weight	0.489 kg
Protection	IP 20
Operating temperature	-10 - 55 °C
Storage temperature	-25 - 70 °C
Relative humidity	5 - 95 %

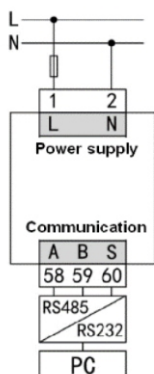
## ACCURACY

PARAMETER	OPERATING RANGE	ACCURACY
Voltage	2,5-120 %	0.5%
Current	0,1-120 %	0.5%
Active power	1-120 %	1%
Reactive power	1-120 %	1 %
Apparent power	1-120 %	1 %
Power factor	± 0,5 %	1 %
Frequency	45-65 Hz	± 0,01 Hz
Active energy	1-120 %	Class 1
Reactive energy	1-120 %	Class 2

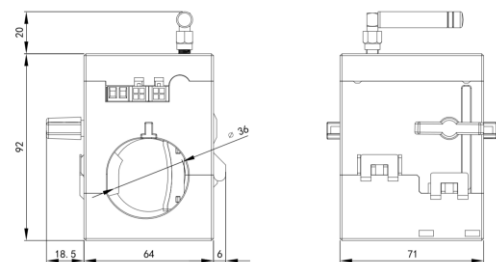
## COMMUNICATION MODULE\*

\*Only required for LoRa® communications

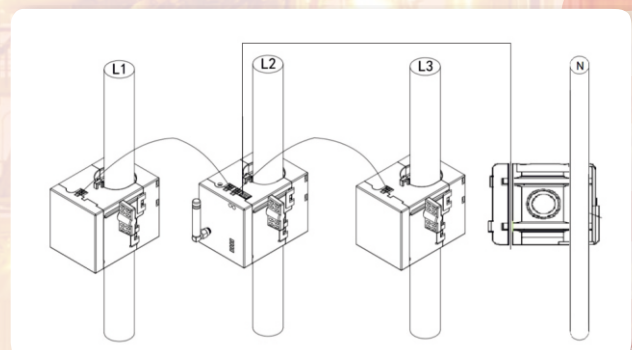
INPUT	
T/R frequency	860 MHz~900 MHz, 0.1 MHz.
Transmitting power	+ 17.6 dBm/100 mW
Receiving sensitivity	-139 dBm@0.81 Kbps
Auxiliary voltage	AC/DC 80~270V
Consumption	< 2VA



## DIMENSIONS



## CONNECTIONS (3P4W)



S.A. DE CONSTRUCCIONES INDUSTRIALES. C/Aragoneses 15, 28108 Alcobendas, Madrid (Spain)



saci@saci.es



(+34) 91 519 02 45



www.saci.es/en