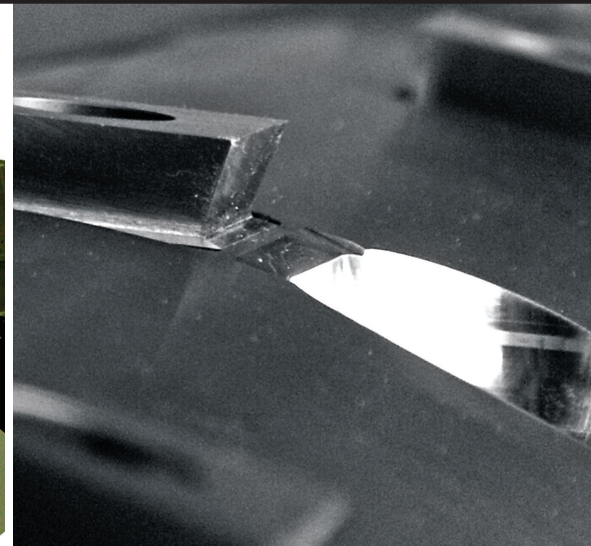
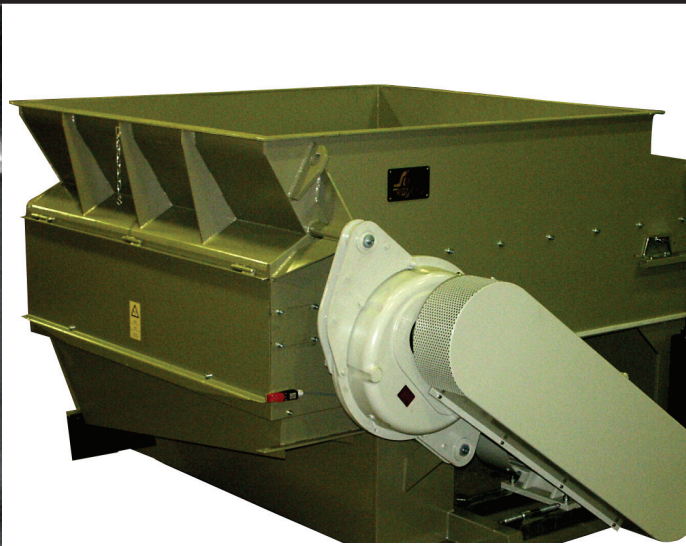


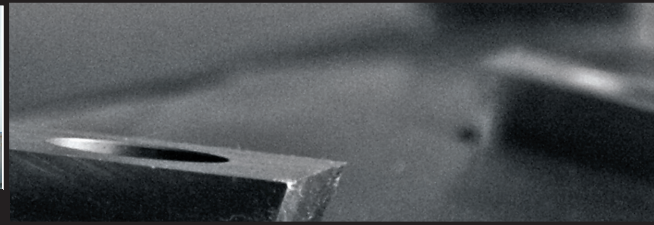
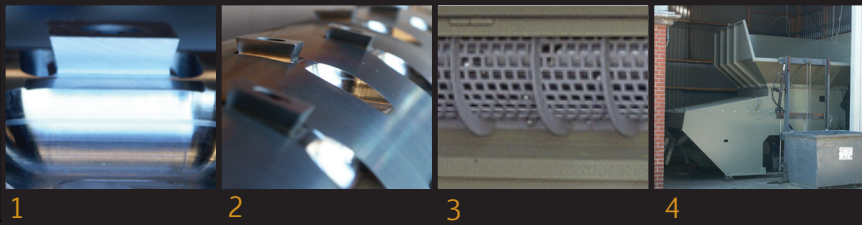
The Scanhugger HL 4/18/20 shredder is designed for shredding most any type of wood waste, hardwood- and softwood trim blocks, particleboard and MDF, furniture parts, paper and cardboard, pallets.

Depending on the material to be processed and the desired chip quality, the machine can be mounted with different rotor types and various screen sizes.



## TECHNICAL DATA:

Hopper dimension		1828 x 2000 mm
Hopper volume (standard hopper)		4 cbm
Rotor diameter		Ø 370 mm
No. of knives	1)	50/32
No. of counterknives	1)	4
Rotor speed	2)	80 RPM
Main motor	2)	55 – 90 kW
Screen perforation	2)	20 – 80 mm
Chip length	2)	30 – 200 mm
Capacity	2)	1500 – 7000 kg/hr
Weight		7000 kg
Sound level Lpa	3)	86.5 dB
1) DEPENDING ON ROTOR AND KNIFE 2) DEPENDING ON MOTORSIZE, MATERIAL AND SCREEN PERFORATION 3) IN ACCORDANCE WITH ISO/DIN 11204,PREN691		



**EXCLUSIVE ROTOR AND KNIFE DESIGN [ 1-2 ]**

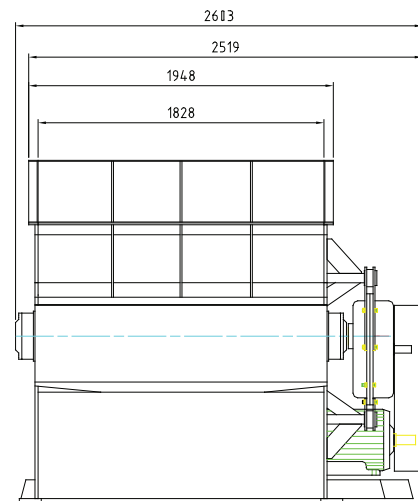
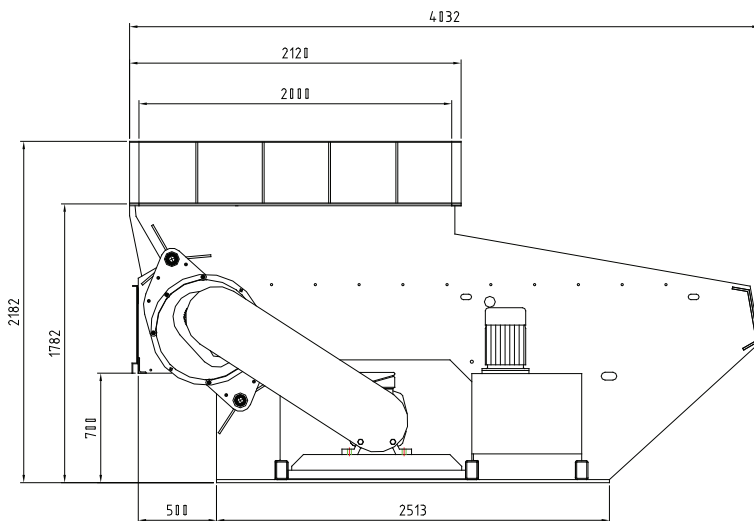
the knife and knife precision mounting arrangement ensure a long tool life, optimal chip quality and easy maintenance. The machined chip pocket in front of each knife allows room for the chips, when the knife is cutting through the material .

**CHIP QUALITY [ 3 ]**

the rotor, knife design together with the heavy duty chip screen ensure a high chip quality. The screen has square holes. Hole sizes range from 20-80 mm.

OUR SCANHUGGER LINE-UP [ 4 ] , coupled with a full range of options and auxiliary equipment enables us to build turnkey wood waste systems.

- auxiliary hopper extensions customized for each application
- pneumatic discharge systems
- auger and conveyor systems
- magnet systems for separation of ferrous metals from chips



TECHNICAL ALTERATIONS RESERVED

DISTRIBUTOR: