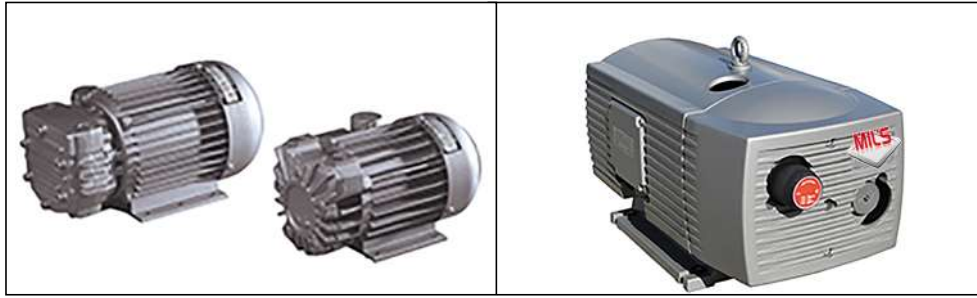


ARICA 3VK to 40V



ARICA 3VK and 6VK

ARICA 12, 17V, 27V and 41V

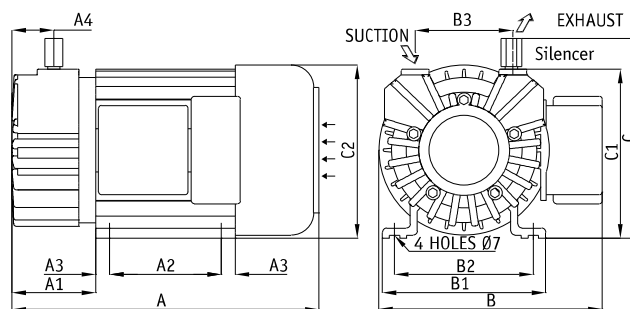
Characteristics

1-ph 230 V	Nominal capacity $m^3 \cdot h^{-1}$		Motor power kW		End vacuum mbar abs.	Rotation speed $tr \cdot min^{-1}$		Noise level db(A)	Weight kg
	50 Hz	60 Hz	50 Hz	60 Hz		50 Hz	60 Hz		
3VK	4	4.8	0.25	0.30	100	1400	1680	58	6.5
6VK	7	8.4	0.30	0.36	100	1400	1680	59	11.5
12V	10	12	0.37	0.45	150	1380	1630	60	16
17V	16	19	0.55	0.66	150	1380	1600	61	22.5
27V	25	30	0.80	1.00	150	1380	1600	62	26
41V	40	48	1.10	1.10	150	1380	1620	67	38.5

3-ph 400V	Nominal capacity $m^3 \cdot h^{-1}$		Motor power kW		End vacuum mbar abs.	Rotation speed $tr \cdot min^{-1}$		Noise level db(A)	Weight kg
	50 Hz	60 Hz	50 Hz	60 Hz		50 Hz	60 Hz		
12V	10	12	0.37	0.45	150	1420	1700	60	16
17V	16	19	0.55	0.70	150	1420	1700	61	22.5
27V	25	30	0.75	0.90	150	1430	1690	62	26
41V	40	48	1.25	1.50	150	1430	1680	67	38.5

Dimensions (mm)

ARICA 3VK / 6VK



	A	A1	A2	A3	A4	B	B1	B2	B3	C	C1	C2	INLET
3VK	220	60	80	10	30	160	117	100	70	143	121	124	1/8"
6VK	278	92	89	16	36	185	132	112	82	170	127	148	3/8"

Oil-free rotary vane vacuum pumps

- Oil-free rotary vane vacuum pumps
- Running and maintenance low costs
- Compact assembly under box for intensive cooling and total protection (Arica 17V to 41V)
- Low noise

Pump references

	3VK	6VK	12V	17V	27V	41V
MONO (1-ph) 230V	816596	816597	824361	824362	824363	824364
TRI (3-ph) 400V			824365	824366	824367	824368

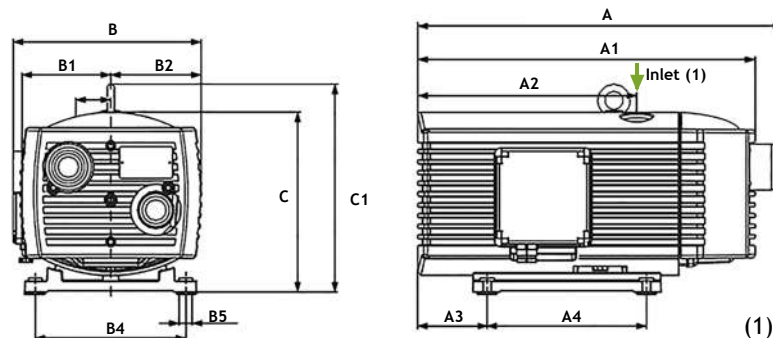
Accessory and option references

	3VK	6VK	12V	17V	27V	41V
Fitted complete paper air filter	25PA * 714926	38PA * 362243	51PA * 357947	76PA 623775		76PA 706190
Fitted suction hose		618981	712931	723760		712926
Adjusting valve	1/4"	333031		Included		
Non fitted vacuum gauge	363031			363032		
Adjusting valve and vacuum gauge dia.40 cross mounted	714927		770581			770582
Fitted check valve	MF1/4" 670175		MF1/2" 670583			MF3/4" 670584
Direct starters without regulation	400V 3-ph		770573	770495		770496
	230V 3-ph		770495	770496		770497
	230V 1-ph	770631		770503		770632
Starters with LG7 control board	400V 3-ph		710421	710422		710423
	230V 3-ph		710429	710430		710431
	230V 1-ph	770471		710428		710436

* It is advised to equip the pump with a hose for easier change of the cartridge

Dimensions (mm)

ARICA 12V / 17V / 27V / 41V



(1) Vacuum connection

	A	A1	A2	A3	A4	B	B1	B2	B3	B4	B5	C	C1	INLET
12V	429	387	257	106	160	206	90	90	35	112	7	189	189	1/2"
17V	452	416	292	73	202	231	102	102	35	125	7	186	205	1/2"
27V	505	465	302	96	220	260	125	125	40	190	7	253	290	3/4"
41V	572	532	363	131	220	280	125	125	40	190	7	253	290	3/4"