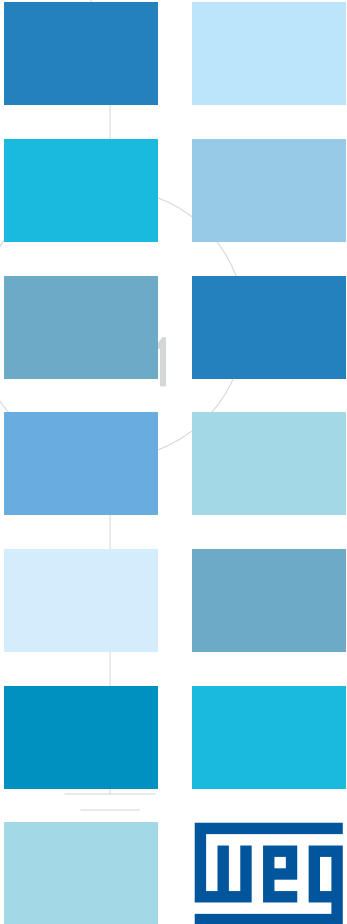


W60

Three-Phase Induction Motor

- Performance
- Compact
- Rugged
- Modular
- Reliability

NEW



W60 - Three-Phase Induction Motor

The WEG W60 motor line is designed for industrial applications, focused on compressors, pumps and fans, ensuring high performance and reliability even under the most severe operating conditions.

Flexibility is the Key

The W60 is available on three different configurations allowing it to be designed as an open, self ventilated (IC01, WP-II) motor, or an enclosed, air-air cooled (IC611, TEAAC) or air-water cooled (IC81W, TEWAC) motor.

Compact Design

With its compact design, lightweight components, reduced dimensions and footprint that saves valuable space on the skid or base where the motor is installed, the W60 is the most compact modular motor in the market.



Severe Duty is Standard for W60

A rugged motor, high quality cast iron frame and end shields and a true stiff shaft (no critical frequencies below rated speed) on its standard design guarantees the lowest vibration and noise levels.

Outstanding in the Market

WEG engineers have developed a unique product that combines the latest technology of high quality rotor and stator lamination, low losses fans and optimized heat exchanger, increasing considerably the power density rate (output per weight). This combination makes the W60 your best choice for an energy efficient motor.

Reliability Where you Need It

Designed to operate continuously without interruption, the W60 was conceived with unique characteristics: easy to build, easy to assemble, easy to install.



VFD Friendly

The W60 adapts easily to any medium voltage VFD in the market. Suitable to operate with no speed limitation up to rated speed by standard design. Works even better if combined with WEG medium voltage variable frequency drive.

Product Scope

- Rated output: 800 up to 4,250 kW (1,000 up to 5,700 HP)
- Number of poles: 2 and 4
- Frame sizes: IEC 450 up to 560 (NEMA 70 up to 88)
- Voltage: 2,300 up to 10,000 V
- Frequency: 50 or 60 Hz
- Mounting: horizontal
- Bearing type: ball bearings (sleeve bearings available)
- Cooling method: IC01, IC611 and IC81W (WP-II, TEAAC and TEWAC)
- Starting: DOL or VFD

Standard Features

- RTD Pt-100, two per phase
- RTD Pt-100, one per bearing
- Space heater
- 4140 alloy steel shaft



Optional Features

- ATEX / IECEx / INMETRO certified:
Ex nA IIC T3 Gc /
Ex tc IIIB T125 °C Dc /
Ex tb IIIC T125 °C Db
- cCSAus certified:
Class I, Division 2, Groups B, C and D, T3
Class II, Division 2, Groups F and G, T3C
- Differential pressure switch (air cooled)
- Water leakage detector (water cooled)
- Encoder
- Automatic lubrication system (ball bearings)
- Accelerometer (ball bearings)
- Proximity sensors (sleeve bearings)
- Other features available upon request



Components Design

Noise Suppressors

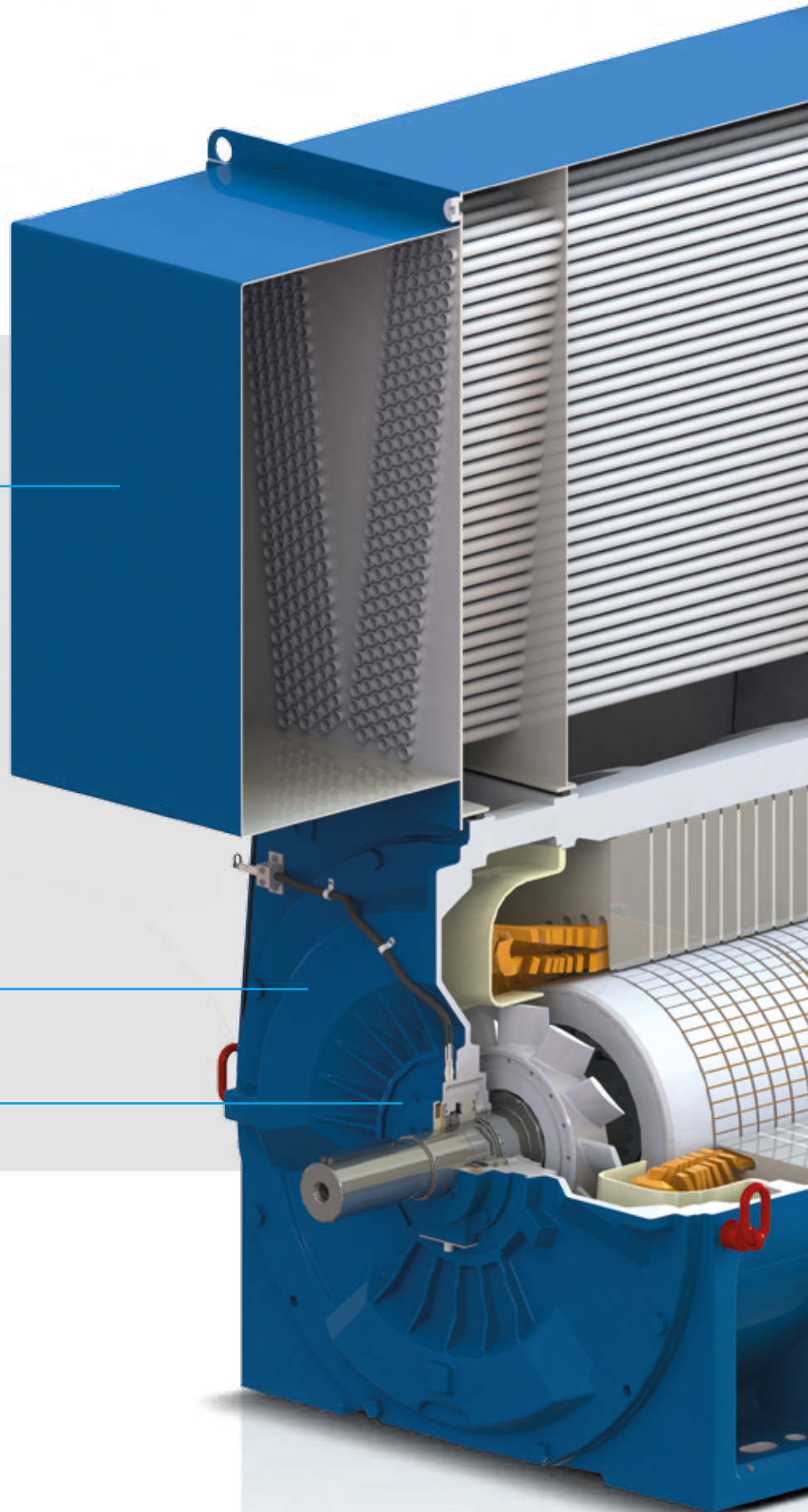
- Noise level reduction
- Simplified assembly
- Easy maintenance

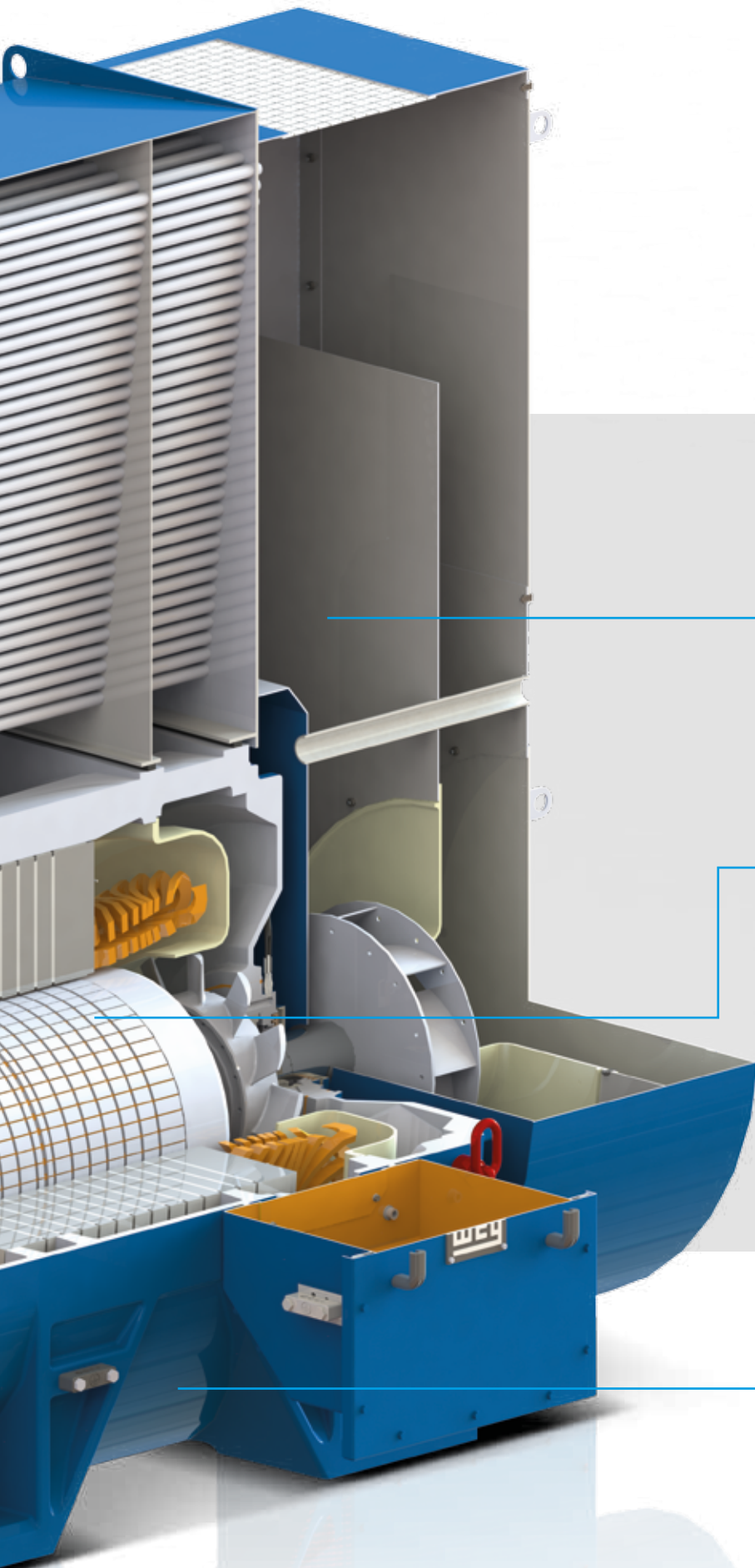
End Shields

- High quality cast iron
- Reinforced structure

Bearings

- Ball bearings as standard
- Sleeve bearings as optional





Cooling System

- Optimized heat exchanger
- Increased air flow
- Low losses fans
- Easy assembly
- Increased mechanical strength

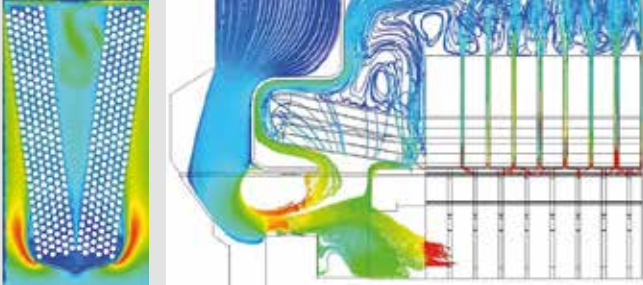
Electrical Core

- High quality lamination
- Energy efficient
- Increased power density ratio

Frame

- Rugged design
- Compact and lighter
- Smallest footprint area

Design Details



Cooling System

With a new and optimized concept for heat exchanging, the W60 allows three different configurations that suits all sort of applications:

- IC01 (WP-II)
- IC611 (TEAAC)
- IC81W (TEWAC)

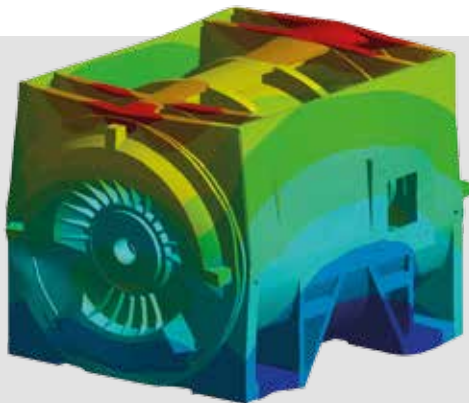


Bearings

Ball bearings are standard for the W60, from 800 kW up to 4,250 kW (1,000 up to 5,700 HP).

Its compact design allows utilization of antifriction ball bearings where other motors can not.

Sleeve bearings are also available when required.



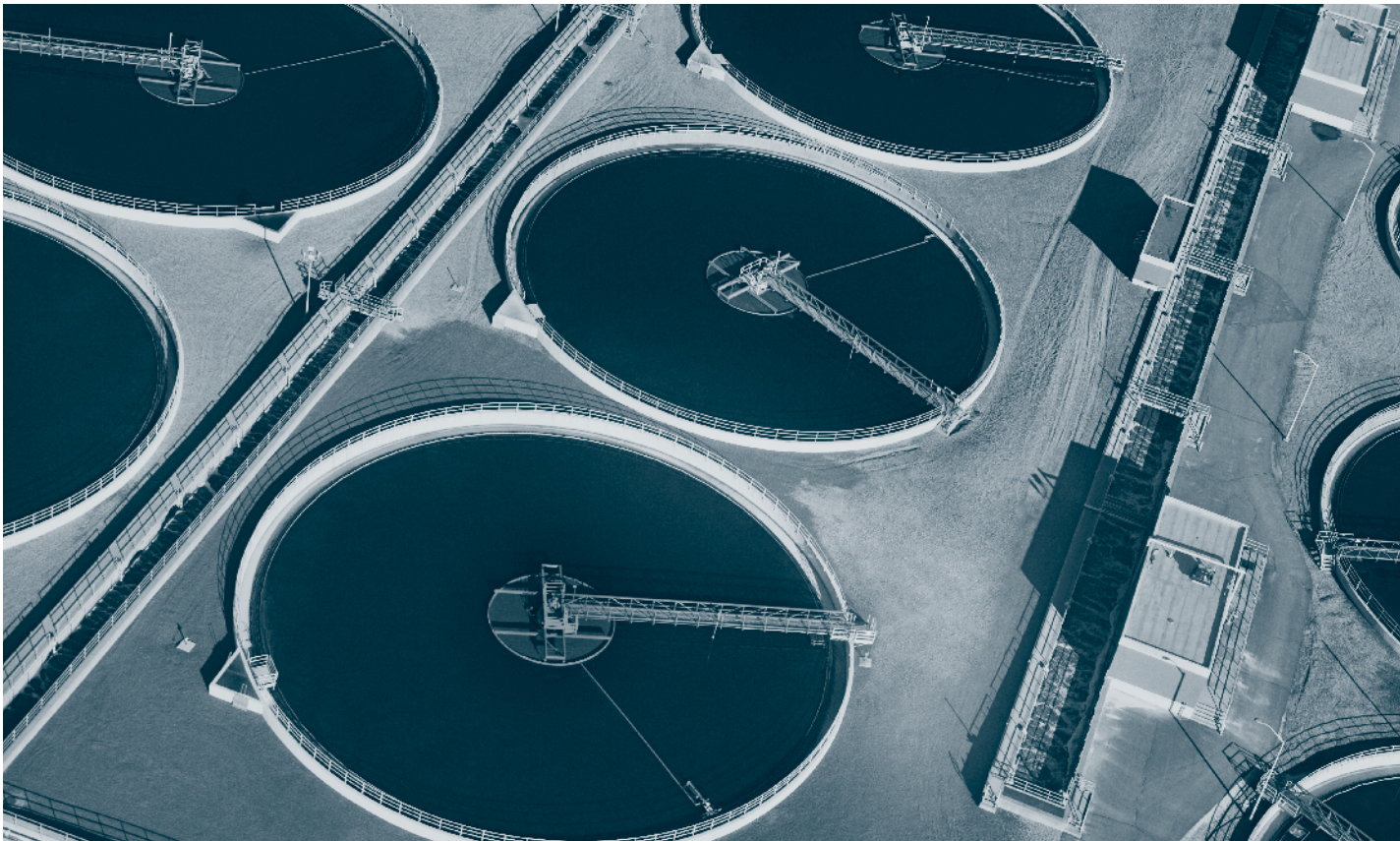
Frame

Designed using the most advanced software, the W60 new frame design provides a solid structure that allows operation in the most severe environments, suitable for high impact and speed applications.



Compact Design

With the shortest frame available in the market, the W60 requires the smallest footprint installation when compared to similar market products.



WEG Worldwide Operations

ARGENTINA

WEG EQUIPAMIENTOS
ELECTRICOS
San Francisco - Cordoba
Phone: +54 3564 421 484
info-ar@weg.net
www.weg.net/ar

WEG PINTURAS - Pulverlux
Buenos Aires
Phone: +54 11 4299 8000
tintas@weg.net

AUSTRALIA

WEG AUSTRALIA
Victoria
Phone: +61 3 9765 4600
info-au@weg.net
www.weg.net/au

AUSTRIA

WATT DRIVE - WEG Group
Markt Piesting - Vienna
Phone: +43 2633 404 0
watt@wattdrive.com
www.wattdrive.com

BELGIUM

WEG BENELUX
Nivelles - Belgium
Phone: +32 67 88 84 20
info-be@weg.net
www.weg.net/be

BRAZIL

WEG EQUIPAMENTOS ELÉTRICOS
Jaraguá do Sul - Santa Catarina
Phone: +55 47 3276-4002
info-br@weg.net
www.weg.net/br

CHILE

WEG CHILE
Santiago
Phone: +56 2 784 8900
info-cl@weg.net
www.weg.net/cl

CHINA

WEG NANTONG
Nantong - Jiangsu
Phone: +86 0513 8598 9333
info-cn@weg.net
www.weg.net/cn

COLOMBIA

WEG COLOMBIA
Bogotá
Phone: +57 1 416 0166
info-co@weg.net
www.weg.net/co

FRANCE

WEG FRANCE
Saint Quentin Fallavier - Lyon
Phone: +33 4 74 99 11 35
info-fr@weg.net
www.weg.net/fr

GERMANY

WEG GERMANY
Kerpen - North Rhine Westphalia
Phone: +49 2237 9291 0
info-de@weg.net
www.weg.net/de

GHANA

ZEST ELECTRIC GHANA
WEG Group
Accra
Phone: +233 30 27 664 90
info@zestghana.com.gh
www.zestghana.com.gh

INDIA

WEG ELECTRIC INDIA
Bangalore - Karnataka
Phone: +91 80 4128 2007
info-in@weg.net
www.weg.net/in

WEG INDUSTRIES INDIA

Hosur - Tamil Nadu
Phone: +91 4344 301 501
info-in@weg.net
www.weg.net/in

ITALY

WEG ITALIA
Cinisello Balsamo - Milano
Phone: +39 02 6129 3535
info-it@weg.net
www.weg.net/it

JAPAN

WEG ELECTRIC MOTORS
JAPAN
Yokohama City - Kanagawa
Phone: +81 45 550 3030
info-jp@weg.net
www.weg.net/jp

MALAYSIA

WATT EURO-DRIVE - WEG Group
Shah Alam, Selangor
Phone: 603 78591626
info@wattdrive.com.my
www.wattdrive.com

MEXICO

WEG MEXICO
Huehuetoca
Phone: +52 55 5321 4231
info-mx@weg.net
www.weg.net/mx

VOLTRAN - WEG Group

Tizayuca - Hidalgo
Phone: +52 77 5350 9354
www.voltran.com.mx

NETHERLANDS

WEG NETHERLANDS
Oldenzaal - Overijssel
Phone: +31 541 571 080
info-nl@weg.net
www.weg.net/nl

PERU

WEG PERU
Lima
Phone: +51 1 472 3204
info-pe@weg.net
www.weg.net/pe

PORTUGAL

WEG EURO
Maia - Porto
Phone: +351 22 9477705
info-pt@weg.net
www.weg.net/pt

RUSSIA and CIS

WEG ELECTRIC CIS
Saint Petersburg
Phone: +7 812 363 2172
info-ru@weg.net
www.weg.net/ru

SOUTH AFRICA

ZEST ELECTRIC MOTORS
WEG Group
Johannesburg
Phone: +27 11 723 6000
info@zest.co.za
www.zest.co.za

SPAIN

WEG IBERIA
Madrid
Phone: +34 91 655 30 08
info-es@weg.net
www.weg.net/es

SINGAPORE

WEG SINGAPORE
Singapore
Phone: +65 68589081
info-sg@weg.net
www.weg.net/sg

SCANDINAVIA

WEG SCANDINAVIA
Kungsbacka - Sweden
Phone: +46 300 73 400
info-se@weg.net
www.weg.net/se

UK

WEG ELECTRIC MOTORS U.K.
Redditch - Worcestershire
Phone: +44 1527 513 800
info-uk@weg.net
www.weg.net/uk

UNITED ARAB EMIRATES

WEG MIDDLE EAST
Dubai
Phone: +971 4 813 0800
info-ae@weg.net
www.weg.net/ae

USA

WEG ELECTRIC
Duluth - Georgia
Phone: +1 678 249 2000
info-us@weg.net
www.weg.net/us

ELECTRIC MACHINERY

WEG Group
Minneapolis - Minnesota
Phone: +1 612 378 8000
www.electricmachinery.com

VENEZUELA

WEG INDUSTRIAS VENEZUELA
Valencia - Carabobo
Phone: +58 241 821 0582
info-ve@weg.net
www.weg.net/ve

For those countries where there is not a WEG own operation, find our local distributor at www.weg.net.



WEG Group - Energy Business Unit
Jaraguá do Sul - SC - Brazil
Phone: +55 47 3276 4000
energia@weg.net
www.weg.net

