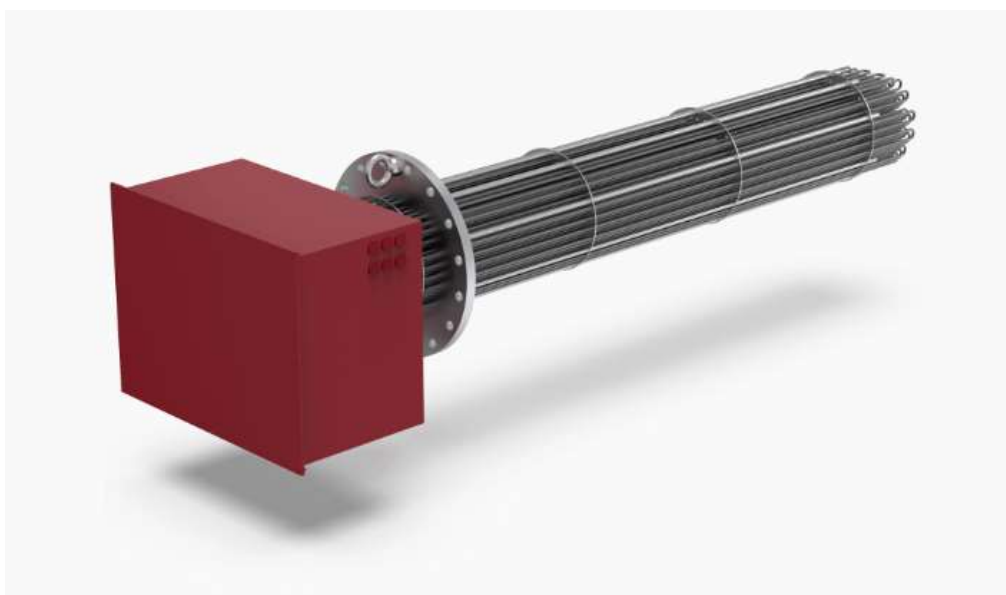



FLANGEVARMELEGEMER 250-5500 KW



**FLANGEVARMELEGEMER
STANDARD 250-5500 KW**

APPLICATION

Industrial process electrical heating equipment was developed in order to guarantee high thermal efficiency . Avoid CO₂ emissions by using green electricity generate up to 7,500 kg/h of steam completely electrically with the Thermowatt WS series electrical heater for steam boiler.

The system range can cover a wide range of application as, textile plant, utility or power plant, hospital, hotel, food & beverage, chemical industry and more applications.

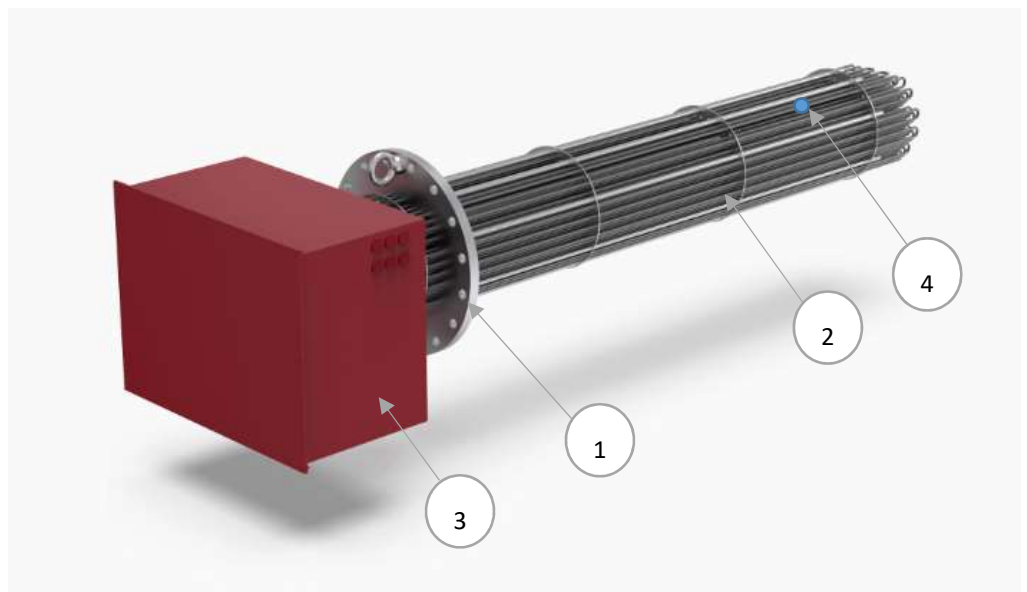
PRODUCT


The product is designed and manufacturing according to PED 2014/68/EC or ASME Sect. VIII Div. 1

MODEL	Flow rate [Kg/h]	DN	Temp. in [°C]	Temp. out [°C]	Power [KW]	Spare elements	Voltage	Immersed length	W/cm2	1 Stage	Power 1 st stage [KW]	Remaining stage	Remaining stage [KW]
WS1_400	350	150	20	180	250	1	400	2200	8,0	1	250	/	/
WS1_690	350	150	20	180	250	1	690	2200	8,0	1	250	/	/
WS2_400	700	200	20	180	500	2	400	2600	6,8	1	208,3	3	97,2
WS2_690	700	200	20	180	500	2	690	2600	8,2	1	200	3	100
WS3_400	1500	400	20	180	1100	6	400	1700	7,6	1	183,3	10	91,7
WS3_690	1500	400	20	180	1100	6	690	1700	7,6	1	366,7	4	183,3
WS4_690	3000	450	20	180	2200	6	690	2200	6,4	1	400	9	200
WS5_690	5000	600	20	180	3600	6	690	2000	6,4	1	423,5	15	211,8
WS6_690	7500	700	20	180	5500	6	690	2200	6,8	1	423	24	211,5

MAIN COMPONENTS

- 1.FLANGE
- 2.HEATING ELEMENT
- 3.JUNCTION BOX
- 4.PT100



	PRODUCT SPECIFICATION	
	Industrial Boiler heater	
	Rev.:	0
	Date:	17/04/23
	Page	2

FEATURES

TEMPERATURE	Design	250°C
	Working	-40 ...+224 °C
PRESSURE	Design	40 bar
	Working	24 bar
FLANGE	Material	AISI 316L
	Nominal pressure	PN40
HEATING ELEMENTS	Sheath Material	AISI 316L, INCOLOY 800
	Tube formed	Welded
	Tube dimension Ø [mm]	10mm; 12,5mm; 16mm
SAFETY SENSOR	PT100	SIL 2
JUNCTION BOX	Proof level	IP65
	Material	Stainless Steel
CERTIFICATION	 	

JUNCTION BOX TYPE

	DIMENSION			DOOR PANELS
	H	W	D	
WS1/WS2	506	406	200	1
WS3/WS4	800	1200	300	2
WS5/WS6	1200	1200	300	2

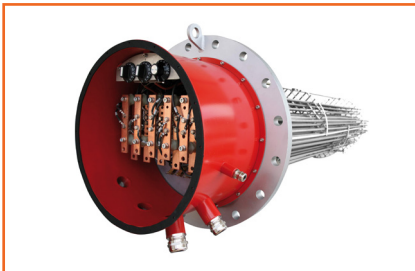




ELVARME



VORES PRODUKTSORTIMENT INKLUDERER:



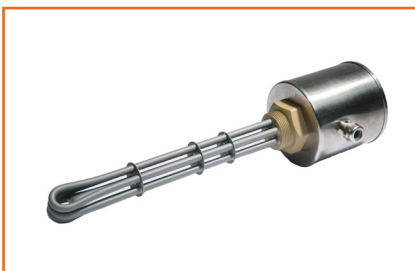
FLANGEVARMELEGEMER KUNDEDES.



BADVARMERE



LINE HEATERS



ELPATRONER



VARMEBESKYTTENDE PRODUKTER



FLANGEVARMELEGEMER

VI FØRER PRODUKTER INDENFOR KATEGORIERNE:



AUTOMATIK



**HVAC & BYGNINGS-
AUTOMATIK**



KØLEPROFILER



NEWTRONIC

Ove Jensens Alle 35 F
DK-8700 Horsens
Denmark
www.newtronic.eu
www.newtronic.dk
+45 7669 7090

