



*Picture of model ML-18 / 325x2000

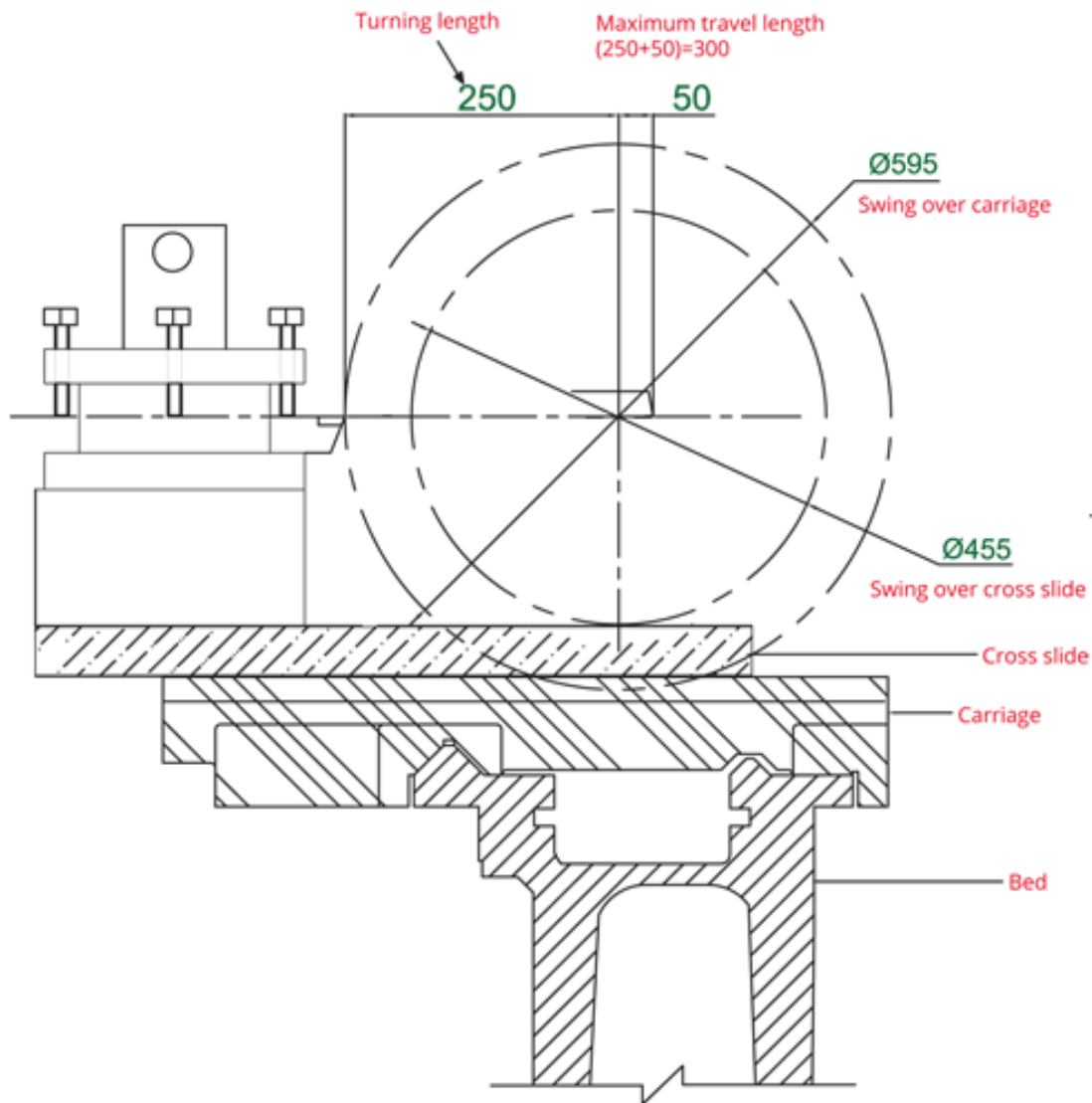
>Standard equipment

- >Variable speed headstock
- >Cast iron pedestals
- >Electronic and mechanic brake
- >Norton box
- >4 positions tool post
- >Headstock electric lubrication
- >Chip collecting tray
- >Centralized carriages lubrication
- >Coolant equipment
- >Tailstock
- >Retractable chuck guard
- >Slideable carriage guard
- >Rear splash guard
- >Rigid guard of leadscrew
- >Emergency stopper
- >LED lighting
- >Thread meter dial
- >Two fixed centers and reducing bush

>Technical specifications

MODEL		ML-18 325x1000	ML-18 325x1500	ML-18 325x2000	ML-18 325x3000
Type of headstock		Headstock with electronic variable speed			
Center distance	mm / in	1000 / 40	1500 / 60	2000 / 80	3000 / 120
Center height	mm / in	325 / 13			
Swing over bed	mm / in	652 / 26			
Swing over gap	mm / in	910 / 35 ¾			
Gap length from face plate	mm / in	220 / 9			
Swing over carriage	mm / in	595 / 23			
Swing over cross slide	mm / in	440 / 17 ¼			
Cross slide travel	mm / in	340 / 12 ¾			
Top slide travel	mm / in	165 / 6 ½			
Bed width	mm / in	350 / 14			
Headstock main spindle bore	mm / in	80 / 3	105 / 4	155 / 6	
Main spindle nose	ASA / CAMLOCK	A2-8 / D1-8	A2-8 / D1-8	A2-11 / --	
Main spindle morse taper	MT	5			
Speed ranges	Range 1	r.p.m.	30-200	80-200	50-120
	Range 2	r.p.m.	200-550	200-465	120-290
	Range 3	r.p.m.	550-1500	465-1250	290-800
Norton box threads and feeds		55			
Longitudinal feeds	mm/rev	0.05-1.5			
Cross feeds	mm/rev	0.025-0.752			
Metric threads	mm	0.5-15			
Whitworth threads	T.P.I.	60-2			
Modular threads	mm	0.25-7.5			
Diametral Pitch threads	D.P.	120-4			
∅ Leadscrew	mm / in	35 / 1.37			
Lead screw rod pitch	mm / in	6 / 1 ¼			
∅ tailstock quill	mm / in	95 / 3 ¾			
Tailstock quill travel	mm / in	200 / 7 ¾			
Tailstock morse taper	MT	5			
Tool shank	mm / in	25 x 25 / 1 x 1			
Steady rest capacity (small // big)	mm / in	10-180 / ½-7 ¼		180-400 / 7 ¼-15 ½	
Follow rest capacity	mm / in	10-140 / ½-5 ½			
Main motor power	kW	7.5			
Coolant pump power	kW	0.1			
Total length	mm / in	2.650 / 104	3150 / 124	3650 / 144	4.650 / 183
Total width	mm / in	1.140 / 45			
Total height	mm / in	1.610 / 63			
Total weight	Kg / lb	2.250/1.022	2.600/1.182	3.000/1.364	3.850/1.750
Norton box threads and feeds		DIN 8605			

> Tool interference diagram ML-18 / 325



*Valid for manual 4 positions tool post.