

AGI4500/6000



AGIH4500



AGIV6000

AGI4500/6000

Robust air curtain for large industrial doors

Recommended installation height *

AGI4500: 4,5 m

AGI6000: 6 m

AGI is a robust air curtain intended for vertical or horizontal installation in large doorways such as logistic centres, loading bays and warehouses. With its powerful fans and high enclosure classification it is specially suitable for industrial environments.

- Simple suspension using fixing nuts on the upper side for installation with threaded rod.
- Adjustable outlet grille makes it possible to direct the air for optimum air curtain effect.
- AGI4500: Corrosion proof housing made of alu-zinc coated steel panels.
AGI6000: Corrosion proof housing made of hot zinc-plate and powder enamelled steel panels.
Colour: grey, RAL9006.

🌀 Ambient, no heat - AGIH4500 A Horizontal mounting (IP54)

Type	Output [kW]	Airflow [m³/h]	Sound level* ¹ [dB(A)]	Voltage motor [V]	Amperage motor [A]	Length [mm]	Weight [kg]
AGIH4515A	0	5500	59	400V3~	1,1	1500	70
AGIH4520A	0	7300	60	400V3~	1,5	2000	90
AGIH4525A	0	9100	61	400V3~	1,9	2500	110
AGIH4530A	0	10900	62	400V3~	2,2	3000	130

💧 Water heat - AGIH4500 WL, coil for low water temperature (≤80 °C) Horizontal mounting (IP54)

Type	Output* ³ [kW]	Airflow [m³/h]	Δt* ^{2,3} [°C]	Water volume [l]	Sound level* ¹ [dB(A)]	Voltage motor [V]	Amperage motor [A]	Length [mm]	Weight [kg]
AGIH4515WL	25	5500	13	7,2	59	400V3~	1,1	1500	90
AGIH4520WL	35	7300	14	9,7	60	400V3~	1,5	2000	110
AGIH4525WL	46	9100	15	12,3	61	400V3~	1,9	2500	130
AGIH4530WL	55	10900	15	14,6	62	400V3~	2,2	3000	150

🌀 Ambient, no heat - AGIV4500 A Vertical mounting (IP54)

Type	Output [kW]	Airflow [m³/h]	Sound level* ¹ [dB(A)]	Voltage motor [V]	Amperage motor [A]	Height [mm]	Weight [kg]
AGIV4515A	0	5500	59	400V3~	1,1	1550	75
AGIV4520A	0	7300	60	400V3~	1,5	2050	95
AGIV4525A	0	9100	61	400V3~	1,9	2550	115
AGIV4530A	0	10900	62	400V3~	2,2	3050	135

💧 Water heat - AGIV4500 WL, coil for low water temperature (≤80 °C) Vertical mounting (IP54)

Type	Output* ³ [kW]	Airflow [m³/h]	Δt* ^{2,3} [°C]	Water volume [l]	Sound level* ¹ [dB(A)]	Voltage motor [V]	Amperage motor [A]	Height [mm]	Weight [kg]
AGIV4515WL	25	5500	13	7,2	59	400V3~	1,1	1550	95
AGIV4520WL	35	7300	14	9,7	60	400V3~	1,5	2050	115
AGIV4525WL	46	9100	15	12,3	61	400V3~	1,9	2550	135
AGIV4530WL	55	10900	15	14,6	62	400V3~	2,2	3050	155

*¹) Conditions: Distance to the unit 5 metres. Directional factor: 2. Equivalent absorption area: 200 m².

*²) Δt = temperature rise of passing air at maximum heat output and highest airflow.

*³) Applicable at water temperature 60/40 °C, air temperature, in +18 °C.

✿ Ambient, no heat - AGIH6000 A Horizontal mounting (IP54)

Type	Output [kW]	Airflow [m³/h]	Sound level*1 [dB(A)]	Voltage motor [V]	Amperage motor [A]	Length [mm]	Weight [kg]
AGIH6012A	0	6600	68	400V3~	1,9	1200	51
AGIH6018A	0	9600	70	400V3~	2,8	1800	75
AGIH6024A	0	12600	71	400V3~	3,8	2400	97
AGIH6030A	0	15600	72	400V3~	4,7	3000	120

💧 Water heat - AGIH6000 WL, coil for low water temperature (≤80 °C) Horizontal mounting (IP54)

Type	Output*3 [kW]	Airflow [m³/h]	Δt*2,3 [°C]	Water volume [l]	Sound level*1 [dB(A)]	Voltage motor [V]	Amperage motor [A]	Length [mm]	Weight [kg]
AGIH6012WL	32	6600	15	6,6	68	400V3~	1,9	1200	82
AGIH6018WL	46	9600	14	10,1	70	400V3~	2,8	1800	125
AGIH6024WL	61	12600	14	14,0	71	400V3~	3,8	2400	165
AGIH6030WL	77	15600	14	17,6	72	400V3~	4,7	3000	205

✿ Ambient, no heat - AGIV6000 A Vertical mounting (IP54)

Type	Output [kW]	Airflow [m³/h]	Sound level*1 [dB(A)]	Voltage motor [V]	Amperage motor [A]	Height [mm]	Weight [kg]
AGIV6012A	0	6600	68	400V3~	1,9	1250	56
AGIV6018A	0	9600	70	400V3~	2,8	1850	80
AGIV6024A	0	12600	71	400V3~	3,8	2450	102
AGIV6030A	0	15600	72	400V3~	4,7	3050	125

💧 Water heat - AGIV6000 WL, coil for low water temperature (≤80 °C) Vertical mounting (IP54)

Type	Output*3 [kW]	Airflow [m³/h]	Δt*2,3 [°C]	Water volume [l]	Sound level*1 [dB(A)]	Voltage motor [V]	Amperage motor [A]	Height [mm]	Weight [kg]
AGIV6012WL	32	6600	15	6,6	68	400V3~	1,9	1250	87
AGIV6018WL	46	9600	14	10,1	70	400V3~	2,8	1850	130
AGIV6024WL	61	12600	14	14,0	71	400V3~	3,8	2450	170
AGIV6030WL	77	15600	14	17,6	72	400V3~	4,7	3050	210

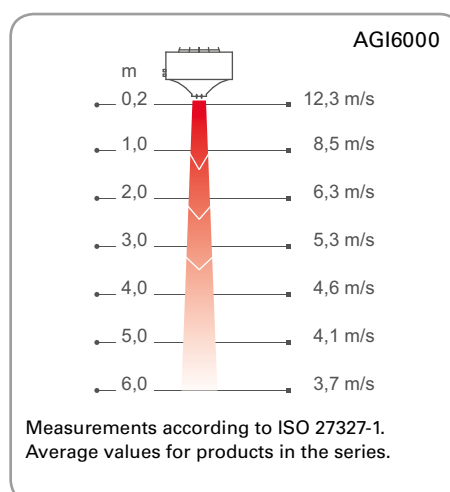
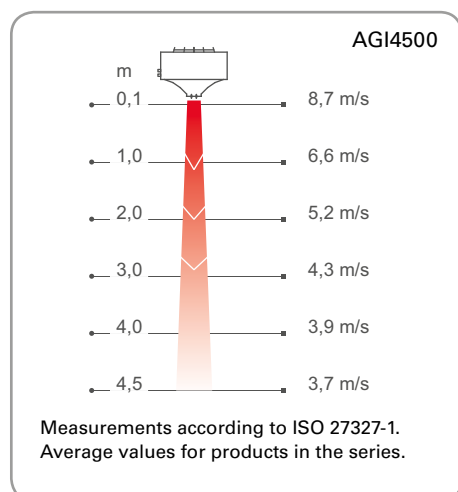
*1) Conditions: Distance to the unit 5 metres. Directional factor: 2. Equivalent absorption area: 200 m².

*2) Δt = temperature rise of passing air at maximum heat output and highest airflow.

*3) Applicable at water temperature 60/40 °C, air temperature, in +18 °C.

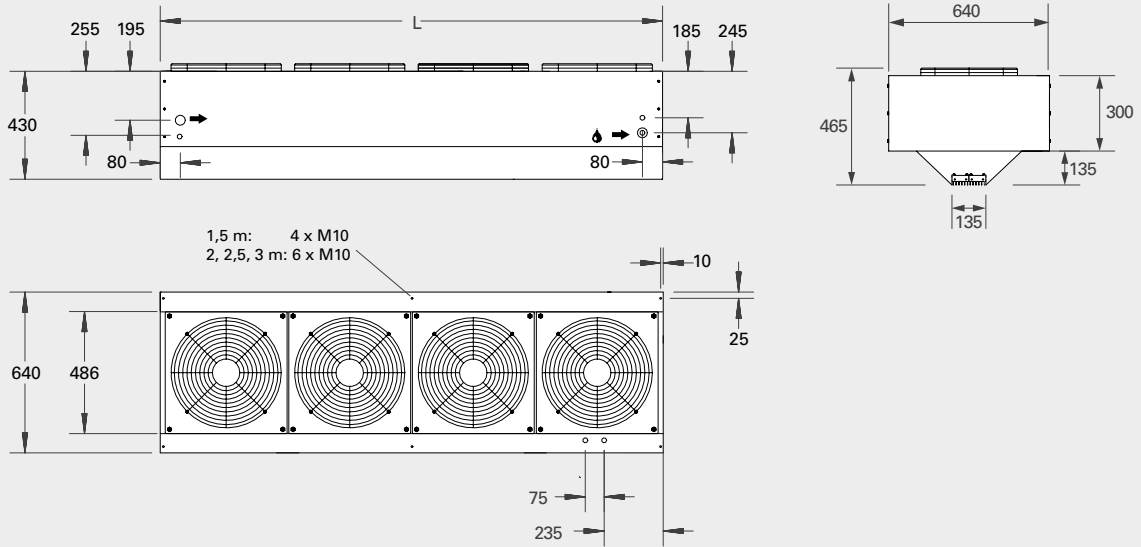
Approved for 380V/3ph/60Hz. Product performance for 380V/3ph/60Hz will differ from stated data. For models with coil for high temperature water (WH), see www.frico.se.

Air velocity profile



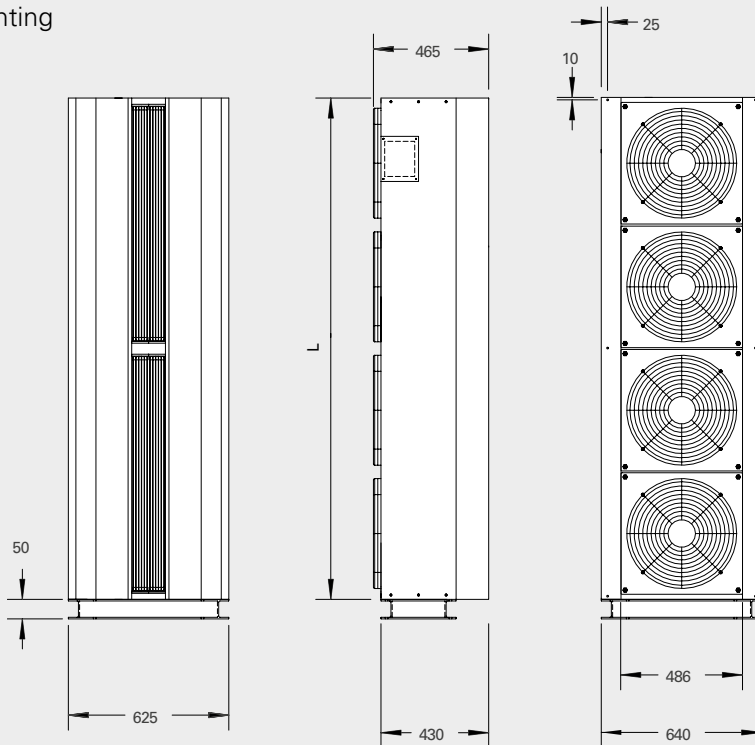
Dimensions AGI4500

Horizontal mounting



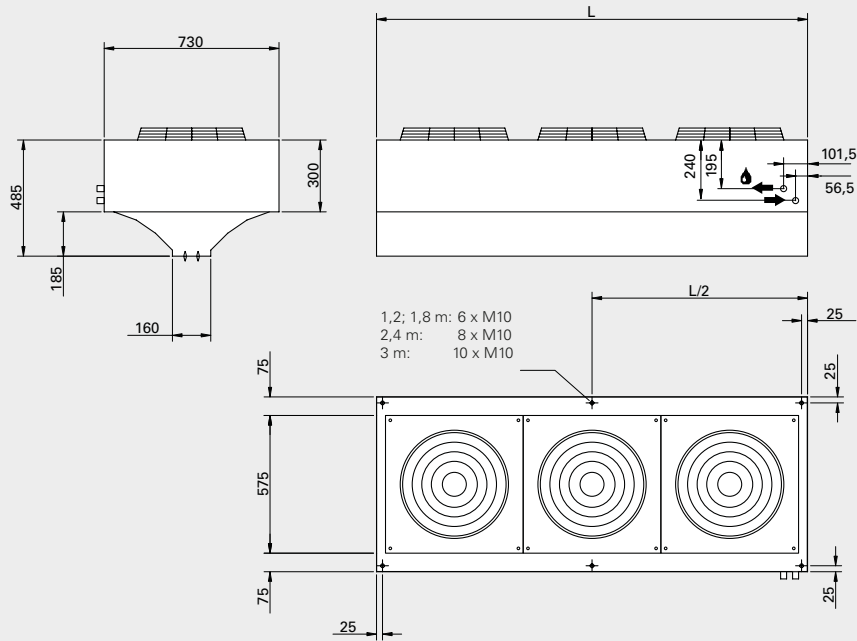
	L [mm]
AGI4515	1500
AGI4520	2000
AGI4525	2500
AGI4530	3000

Vertical mounting



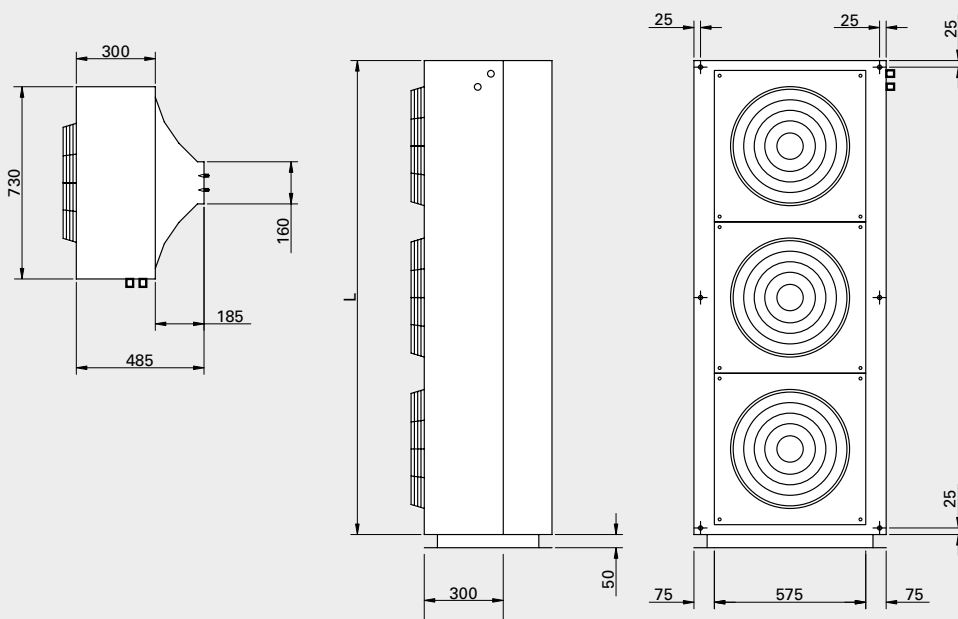
Dimensions AGI6000

Horizontal mounting

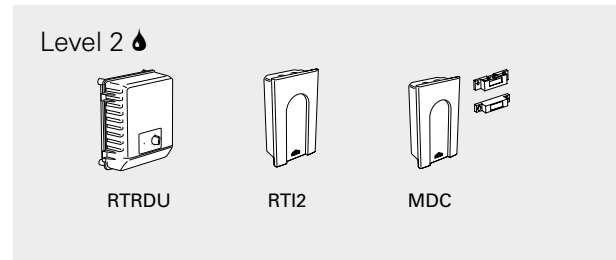
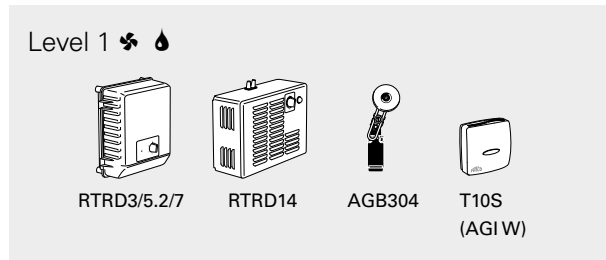


	L [mm]
AGI6012	1200
AGI6018	1800
AGI6024	2400
AGI6030	3000

Vertical mounting



Control options



 Unit without heating

Level 1
Airflow is set manually. The position limit switch regulates the airflow on/off.

Control kit:

- RTRD, 5-step fan speed control.
- AGB304, position limit switch.


 Unit with water heating

Level 1
Airflow is set manually. The position limit switch regulates the airflow on/off. Room thermostat controls the heat output via actuator/valve on/off.

Control kit:

- RTRD, 5-step fan speed control.
- AGB304, position limit switch.
- T10S, room thermostat IP30.

Note! A valve set VRS25 (option: TVVS25 with SD20) should be added for a complete control kit.

 Unit with water heating

Level 2

Airflow and heat output are controlled automatically based on the opening of the door and the room temperature. When the door is open the fan runs at high speed, when the door closes the fan will continue to run at high speed for the desired time (2s–10 min.) set on MDC. When the door is closed the fan runs at low speed if there is a need for heating, if not the fan is switched off.

The room thermostat controls the heat output on/off.

E.g. the thermostat is set on 23 °C and the difference between the steps 4 °C. The thermostat will activate below 19 °C when the door is closed. When the door opens, the thermostat will activate below 23 °C and normally the heat is switched on.

Control kit:

- RTRDU, 5-step fan speed control, high/low speed.
- MDC, magnetic door contact with a time relay.
- RTI2, electronic 2-step thermostat.

Note! A valve set VRS25 (option: TVVS25 with SD20) should be added for a complete control kit.

Type	Description	HxWxD [mm]
RTRD3	5-step fan speed control, 3 A, IP54	323x270x163
RTRD5.2	5-step fan speed control, 5,2 A, IP54	323x270x163
RTRD7	5-step fan speed control, 7 A, IP21	323x270x163
RTRD14	5-step fan speed control, 14 A, IP21	290x450x165
RTRDU7	5-step fan speed control, high/low speed, 7 A, IP21	323x270x163
T10S	Electronic thermostat, IP30	80x80x31
RTI2	Electronic 2-step room thermostat, IP44	155x87x43
AGB304	Position limit switch, IP44	
MDC	Magnetic door contact with time relay, IP44	155x87x43
MDCDC	Magnetic door contact	
VRS20	Valve kit DN20	
VRS25	Valve kit DN25	
TVVS20	2-way control valve DN20	
TVVS25	2-way control valve DN25	
SD20	Actuator 230V~	

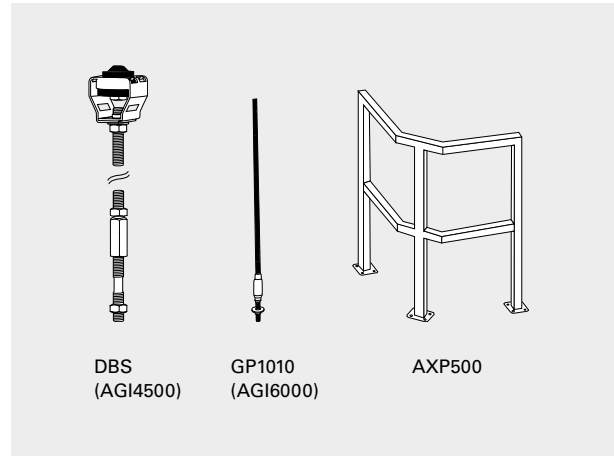
For further information and options, see the "Controls" section.

Accessories

DBS, threaded bars with damper
Threaded bars with damper for mounting in ceilings.
Length 1 m. DBS10: M10. (AGI4500)

GP1010, threaded bar
Threaded bar for mounting in ceilings. Length 1 m.
M10. Six are required for 1.2 and 1.8 metre units, while
2.4 metre units need eight and 3 metre units need ten.
(AGI6000)

AXP500, collision protection
Floor placed protection against impact from e.g.
forklifts. Height 1 m. Colour: red, other colours on
request.



Type	Description	Quantity included	Length
DBS10-4	Threaded bar with damper for AGI4515	4	1 m
DBS10-6	Threaded bar with damper for AGI4520/4525/4530	6	1 m
GP1010	Threaded bar for AGI6000	1	1 m
AXP500	Collision protection	1	1 m

