

# **CNC-Processing Center Venture 108**



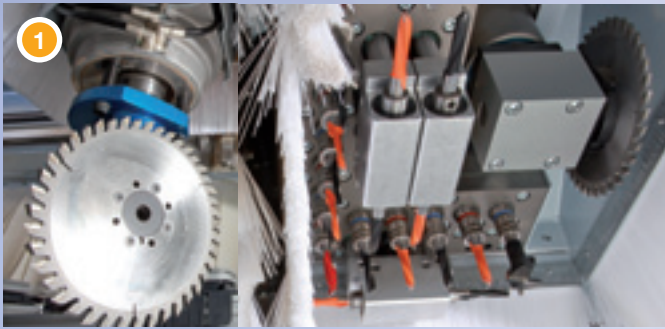
**2014/2015**

# Venture 108

## Highlights:

- **Routing dimension in Y direction: 1550 mm**
- Vector speed X/Y 80 m/min
- Simple positioning of the vacuum cups through the pin laser
- 24 vacuum cups in standard version
- K-table – tubeless vacuum clamping system
- Second row of stops in standard version
- Electronic surveillance of all stops
- High-Speed 7500 – 18 drilling spindles (12 vertical / 6 horizontal)
- Patented quick change system for the vertical spindles
- Patented automatic spindle clamping system
- High-Speed grooving saw (0° / 90°)
- 12 HP (9 kW) HSK routing spindle
- C-axis 360°
- FLEX5 interface (optional)
- 16 places for tool changing (2 x 8)
- Tool pick-up station
- Program-controlled extraction connection for an optimum extraction behavior
- 2 CNC-controlled Z-axes
- Software bundle for machine and PC





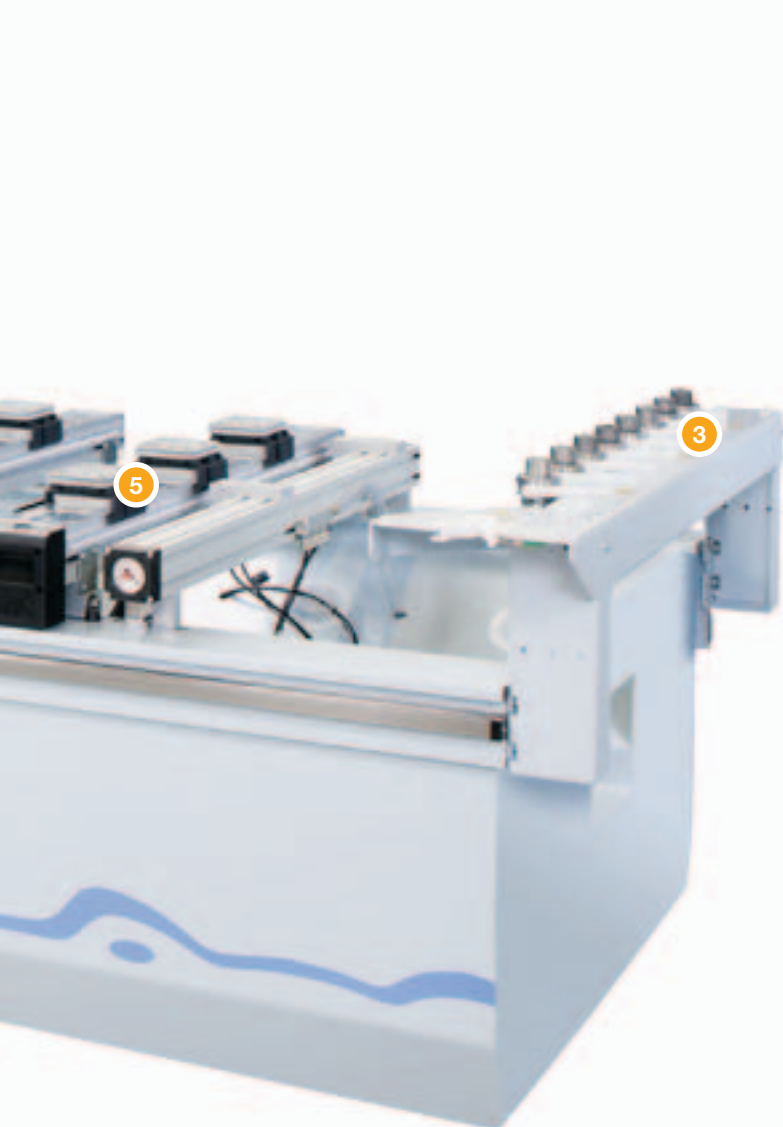
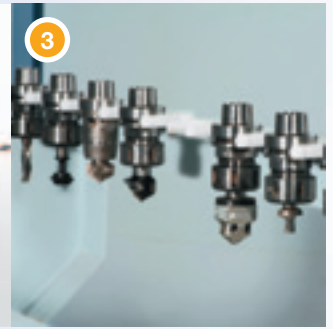
### Configuration

- 1 routing spindle 12 HP (9 kW) HSK (as an option 16 HP (12 kW) HSK)
- 1 C-axis 360°
- 18 drilling spindles (12 vertical/6 horizontal) (as an option 31 drilling spindles (21 vertical/10 horizontal))
- 1 grooving saw Ø 125 mm (0° / 90°)



### 2 tool changing systems in standard version

- 8-fold tool changer moving in X-direction
- 8-fold tool changer (pick-up)



### 2 CNC-controlled Z-axes

- Optimal dust extraction and bigger operative range for processing aggregates
- Weight distribution of the mass (processing aggregates) to the two Z-axes → more stability, higher processing quality



### Electronic cylinder surveillance

Enhanced security with the electronic surveillance of lower cylinder positions at all integrated stops



### Program-controlled extraction connection

Ensures an optimum extraction behavior

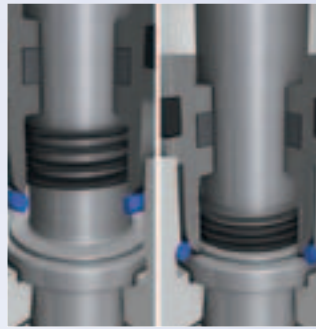


# All inclusive | Hardware



## High-Speed 7500

Spindles with 1500 - 7500 RPM incl. the patented quick change system



## Automatic spindle clamping system

Patented system for exact drilling depth at any time with different materials



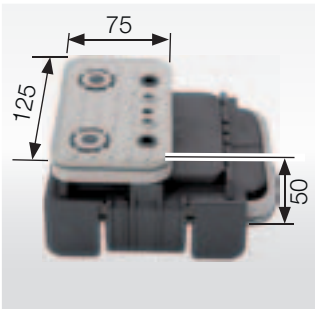
## Workpiece feeding rail

4 solid feeding rails to ease »sheeting« of heavy workpieces



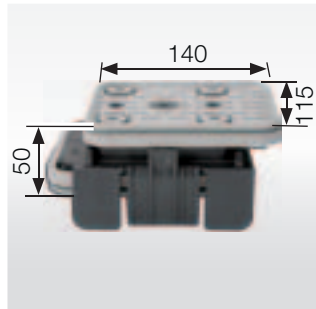
## K-table

Tubeless vacuum clamping system



## Vacuum cups

6 narrow vacuum cups



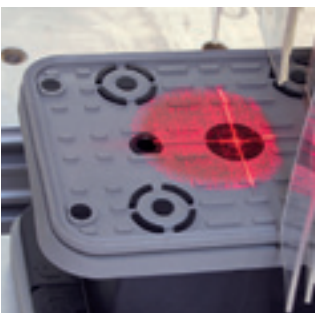
## Vacuum cups

18 vacuum cups



## Sealed energy cable

Secure and protected cable guide (X-Y-Z)



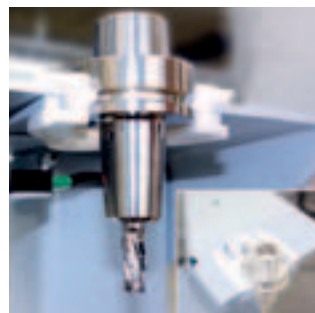
## Laser positioning

Simple positioning of the vacuum cups through the pin laser



## Linear guiding system

Sealed »long-life« linear guiding system



## Tool pick-up station

Secure and quick fitting of the tool changer

# All inclusive | Software



## powerControl

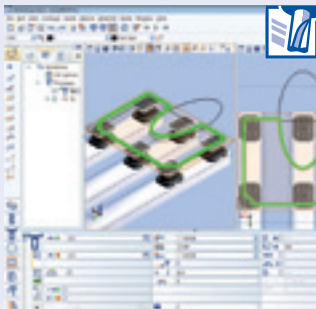
- 17" TFT-monitor
- Intel®Core™ 2 Duo Processor
- Provision teleservice capability
- USB frontside bus
- Ethernet connection 10/100 Mbit
- Ergonomic hand terminal
- Position of the switch cabinet »freely selectable« (left/right)



## Please use our website:

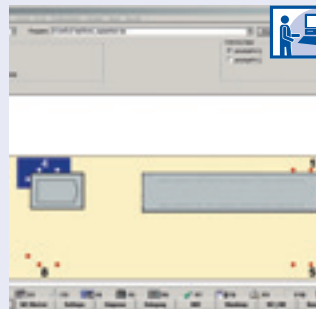
- Worldwide largest forum for woodWOP:  
[www.woodWOP-Forum.de](http://www.woodWOP-Forum.de)
- Free Download of woodWOP-components:  
[www.weeke.com](http://www.weeke.com) → Products → Software

## Software | Machine



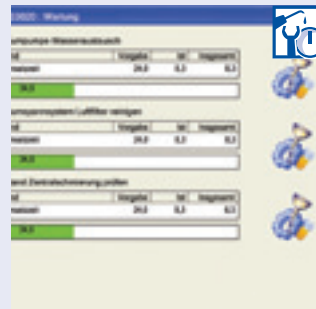
### woodWOP

- Modern software based on Windows®
- More than 30.000 installations worldwide



### MCC

- Simple control of main machine functions through soft keys
- Graphical loading



### Machine Data Recording

Machine Data Recording – collecting and evaluating machine states via time meter and event meter

## Software | Office



### woodWOP

- Modern software based on Windows®
- More than 30.000 installations worldwide



### woodWOP DXF Basic

- Interface for CAD-Data Import
- Basis to generate woodWOP programs

# Options | Hardware/Software

## powerTouch – Touch the innovation

**Simple** | Integrated help and assistant functions are available to simplify working.

**Uniform** | powerTouch controls HOMAG Group machines using standardized operating elements and software modules with the same look and feel.

**Ergonomical** | Direct control using touch-sensitive touchscreen monitor which can be used to access machine functions.

**Evolutionary** | Standardized machine control combined with state-of-the-art operating concepts and standardized multitouch monitors.



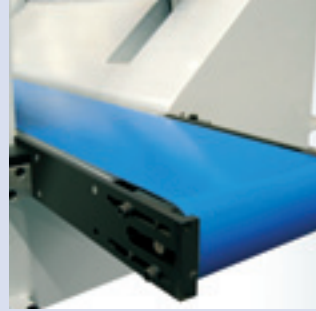
### Air-conditioning

Air-conditioned cabinet



### Multi clamping system

E.g. for frame and narrow parts



### Chip conveyor

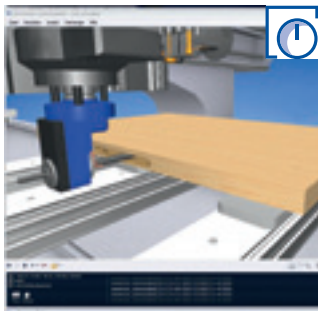
Chip conveyor integrated in the machine frame for disposing of the chips and waste parts



### Barcode connection

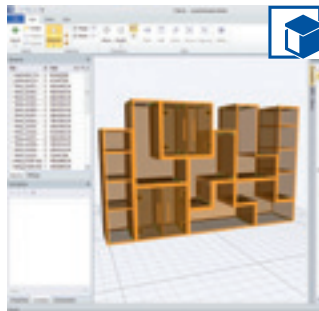
- Barcode scanner
- Supported barcodes:
  - 1D – Barcode
  - 2D – Data Matrix Code

## OFFICE Package Basic



### 3D CNC-Simulator

- Simulates the processing in the order it is stored in the NC-program
- Allows time calculation
- Collision check of the vacuum cups



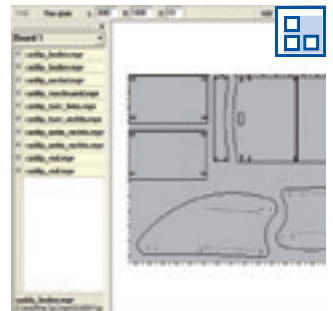
### woodAssembler

- To visualize woodWOP-programs (MPR) in 3D
- Enables the construction of individual workpieces to finished objects



### woodVisio

- Objects generated in woodAssembler or Blum Dynalog can be provided with a surface material
- The objects are displayed in a free-standing position



### woodNest Basic

- Software for manual nesting of shaped parts



### woodWOP DXF Professional

- Machine Data Recording Professional



### woodCAD/CAM

Creates reliability in the order and manufacturing process from the first sketch to the final product



### powerTouch

Implements the HOMAG Group's new operating philosophy: Easy, equal, ergonomic and evolutionary.





# Aggregates

**FLEX5**  
.....

## HIGH PERFORMANCE



**High Performance Sawing**

Ø 220 mm



**High Performance Drilling/Sawing/Routing**

2 spindles,  
Ø 220 mm



**High Performance Cam box router**

2 spindles,  
Ø 16/20 mm



**High Performance Drilling/Sawing**

swivelling,  
(0° - 90°),  
Ø 180 mm



**Drilling/Sawing/Routing**



### Tilting stops for veneer overhang

Guarantee simple positioning of panels with veneer overhang



### CNC set-up trolley

- Processing tools and maintenance aids are centrally available
- appr. 1190 x 600 x 900 mm
- Max. capacity load: appr. 500 kg



### Tool box »STARTER KIT«

Top equipment – from the very start



**Drilling/Routing/Sawing**

2 spindles,  
220 mm



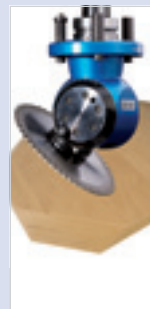
**Drilling/Routing**

4 spindles,  
50 mm



**Cam box router**

2 spindles,  
Ø 16/20 mm



**Drilling/Sawing, swivelling**

(0° - 90°),  
Ø 180 mm



**Drilling/Routing, swivelling cranked**

(0° - 90°)



**Tracing routing aggregate with tracing ring**

Ø 70 mm |  
130 mm

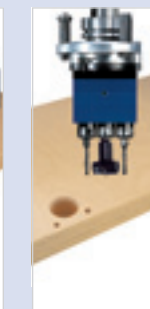


**Corner notching**



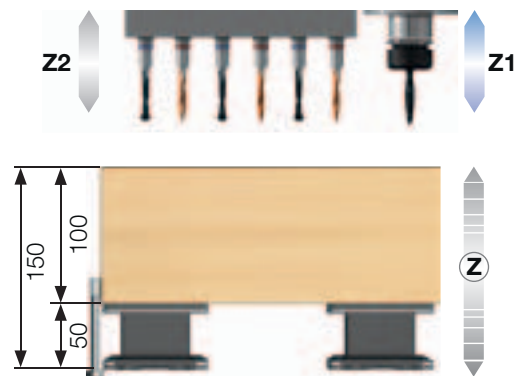
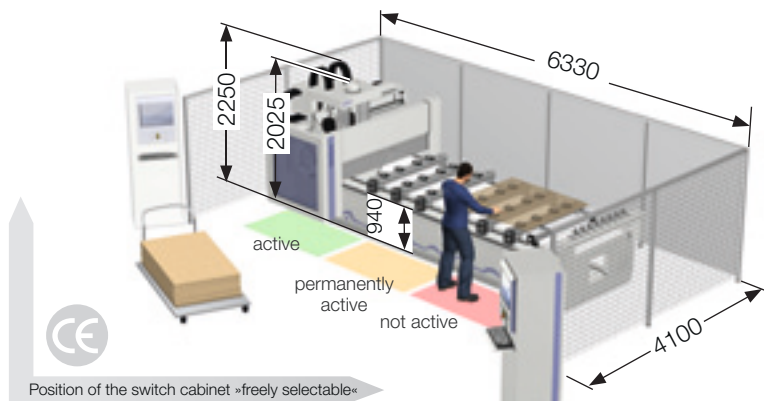
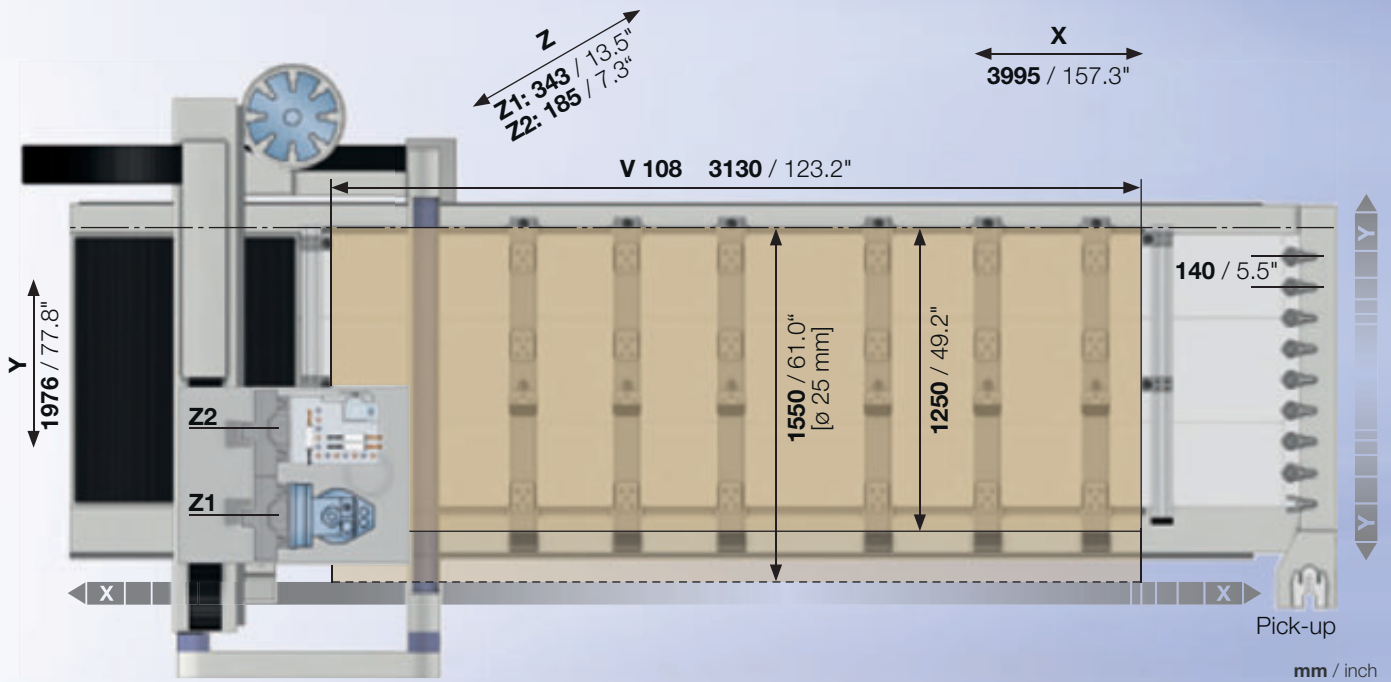
**Drilling, 7 spindles**

25 mm pitch



**Fitting drilling head, 3 spindles**

# Technical data



		X	Y	Z	
Working field	mm / inch	3130 / 123.2	1250 / 49.2	100 / 3.9	
Travel range	mm / inch	3995 / 157.3	1976 / 77.8	Z1: 343 / 13.5	Z2: 185 / 7.3
Two-field operation	mm / inch	1260 / 49.6			
Alternating operation	mm / inch	1000 / 39.4			
Vector speed	m/min	(X - Y) 80 - (Z) 20			
Compressed air connection	inch	R ½			
Compressed air required	bar	7			
Dust extraction port	mm	Ø 200			
Dust extraction volume	m <sup>3</sup> /h	min. 3170			
Total machine weight	kg	appr. 3700			
Electrical power – total connection load	kW	17,5			
Switch cabinet L - W - H	mm	800 - 800 - 1970			

**Choose the Original  
Choose Success!**  
For the Success of Original Technology  
A VDMA Campaign

Equipment as described in this brochure is subject to technical changes and further developments. Some photos show options which are not included in the standard machine configuration. Technical data refer to standard equipment and are not binding for the order.

Member of the HOMAG Group



**WEEKE Bohrsysteme GmbH**  
Benzstrasse 10-16  
33442 Herzebrock-Clarholz  
GERMANY  
Tel.: +49 5245 445-0  
Fax: +49 5245 445-44 139  
info@weeke.de  
www.weeke.com