

FANUC Robot CR-15iA



FEATURES

FANUC Robot CR-15iA is a 15kg payload collaborative robot that can work without safety fences.

Collaborative Operation

- This robot and a human operator can work in close proximity without safety fences.
- This robot can work in cooperation with a human operator. (examples: parts assembling, workpiece transfer)

Safety Function

- This robot stops safely when it touches a human operator.
- A human operator can move the robot by pushing it.
- This robot is certified to meet the requirements of international standard ISO 10218-1.

Intelligence and High Reliability

- Latest intelligent functions such as iRVision (Integrated vision) and force sensor are available.
- This robot is designed with the same high reliability as conventional robots.

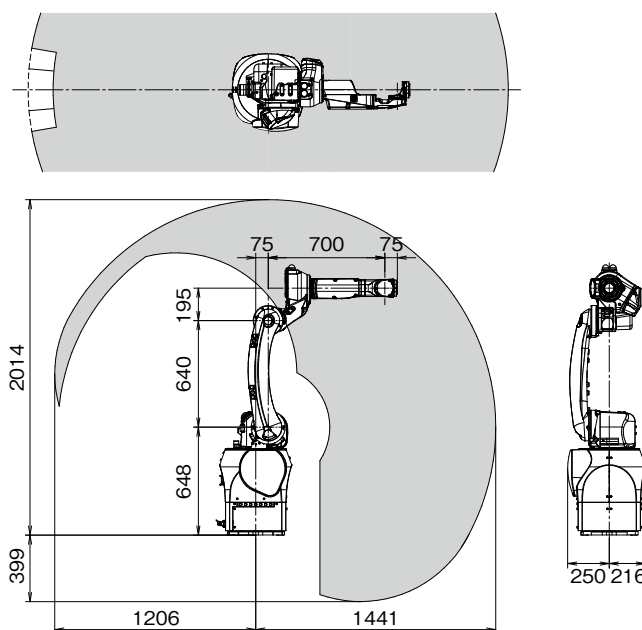
Application Examples



Parts kitting

Operating space

CR-15iA



Specifications

Model		CR-15iA
Type		6axes (J1,J2,J3,J4,J5,J6)
Reach		1441 mm
Installation		Floor, Upside-down, Angle mount
Motion range (Note 1)	J1 axis	340° / 370° 5.93 rad / 6.46 rad
	J2 axis	180° 3.14 rad
	J3 axis	305° 5.32 rad
	J4 axis	380° 6.63 rad
	J5 axis	280° 4.89 rad
	J6 axis	900° 15.71 rad
Max load capacity at wrist		15 kg
Maximum speed (Note 2)		800 mm/s (Note 3) (Max 1500 mm/s (Note 4))
Allowable load moment at wrist	J4 axis	26.0 N·m
	J5 axis	26.0 N·m
	J6 axis	11.0 N·m
Allowable load inertia at wrist	J4 axis	0.90 kg·m ²
	J5 axis	0.90 kg·m ²
	J6 axis	0.30 kg·m ²
Repeatability(Note 5)		± 0.02 mm
Mass (Note 6)		255 kg
Installation environment		Ambient temperature : 0 to 45°C Ambient humidity : Normally 75%RH or less (No dew nor frost allowed), Short term 95%RH or less (within one month)

Note 1) In case of angle mounting, J1 and J2 axis motion range are restricted.

Note 2) During short distance motions, the axis speed may not reach the maximum value stated.

Note 3) It is necessary to set a motion speed according to risk assessment of system.

Note 4) If the area is monitored by a safety sensor (located separately).

Note 5) Compliant with ISO9283.

Note 6) Without controller.

FANUC CORPORATION

Headquarters Oshino-mura, Yamanashi 401-0597, Japan

Phone: 81-555-84-5555 Fax: 81-555-84-5512 <http://www.fanuc.co.jp>

●Overseas Affiliated Companies
FANUC America Corporation
FANUC Europe Corporation, S.A.
SHANGHAI-FANUC Robotics CO., LTD.
KOREA FANUC CORPORATION
TAIWAN FANUC CORPORATION
FANUC INDIA PRIVATE LIMITED
FANUC SINGAPORE PTE. LTD.
FANUC THAI LIMITED
FANUC MECHATRONICS (MALAYSIA) SDN. BHD.

3900 West Hamlin Road, Rochester Hills, MI 48309-3253, U.S.A.
Zone Industrielle, L-6468 Echternach, Grand-Duché de Luxembourg
No. 1500 Fulian Road, Baoshan Area, Shanghai, China
101, Wanam-ro(st), Seongsan-gu, Changwon-si, Gyeongsangnam-do, 642-290 Republic of Korea
No.10, 16th Road, Taichung Industrial Park, Taichung, Taiwan
41-A, Electronics City, Bangalore, 560 100, India
No.1 Teban Gardens Crescent, Singapore 608919, Singapore
1301 Pattanakarn Road, Kwaeng Suanluang, Khet Suanluang, Bangkok 10250 Thailand
No.32, Jalan Pengacara U1/48, Temasya Industrial Park, Section U1, Glenmarie,
40150 Shah Alam, Selangor Darul Ehsan, Malaysia
JL. Boulevard Bukit Gading Raya Blok R, Jakarta 14240 Indonesia
10 Healey Circuit, Huntingwood, NSW 2148, Australia
17 Loper Ave. Aeroport Industrial Ests. Spartan Ext.2 P.O.Box 219, Isando 1600, Republic of South Africa

Phone: 1-248-377-7000 Fax: 1-855-774-7051
Phone: 352-727777-1 Fax: 352-727777-403
Phone: 86-21-5032-7700 Fax: 86-21-5032-7711
Phone: 82-55-278-1200 Fax: 82-55-284-9826
Phone: 886-4-2359-0522 Fax: 886-4-2359-0771
Phone: 91-80-2852-0057 Fax: 91-80-2852-0051
Phone: 65-6567-8566 Fax: 65-6566-5937
Phone: 66-2-714-6111 Fax: 66-2-714-6120
Phone: 60-3-7628-0110 Fax: 60-3-7628-0220
Phone: 62-21-4584-7285 Fax: 62-21-4584-7288
Phone: 61-2-8822-4600 Fax: 61-2-8822-4666
Phone: 27-11-392-3610 Fax: 27-11-392-3615

●All specifications are subject to change without notice.
●No part of this catalog may be reproduced in any form.
●The products in this catalog are controlled based on Japan's "Foreign Exchange and Foreign Trade Law". The export from Japan may be subject to an export license by the government of Japan. Further, re-export to another country may be subject to the license of the government of the country from where the product is re-exported. Furthermore, the product may also be controlled by re-export regulations of the United States government. Should you wish to export or re-export these products, please contact FANUC for advice.

© FANUC CORPORATION, 2018

CR15iA(E)-01, 2018.04, Printed in Japan