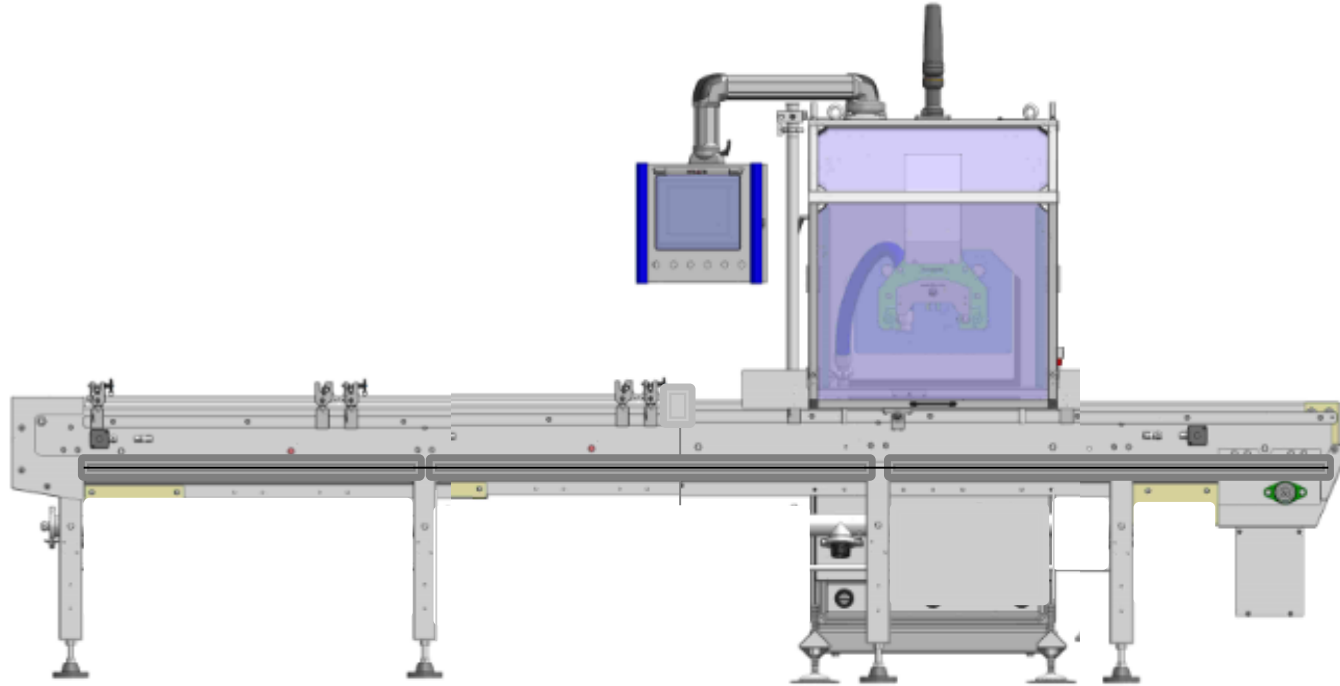
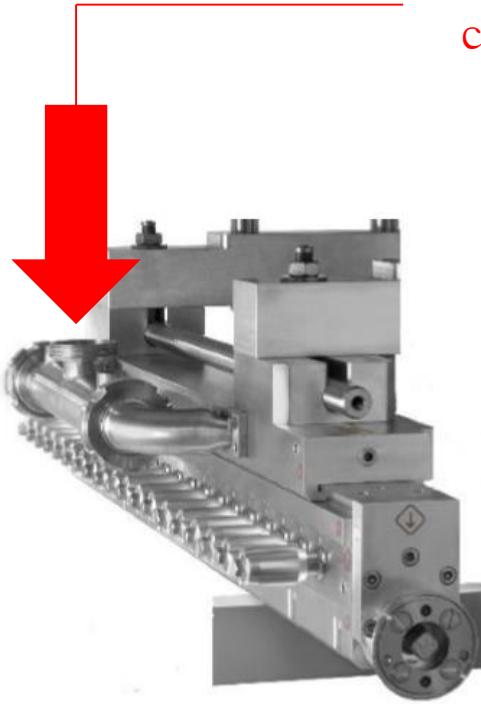


Our MINI WYMBS



Our MINI WYMBS with an integrated process conveyor

Marshmallow inlet connection, this being connected directly to an aeration system



Our plain “MK2” Depositing Manifold