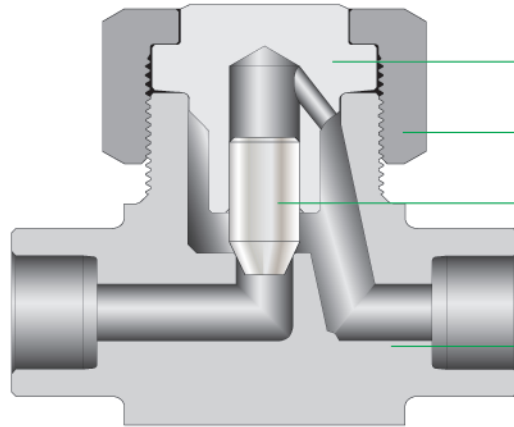


# Hy-Lok CVL Series

## Lift Check Valves



Catalog No. H-CVL100  
Jan. 2007



- **BONNET**  
Union Bonnet Design For Safety
- **BONNET NUT**
- **POPPET**  
Metal to Metal Seal
- **BODY**  
Compact Size & Rugged Construction

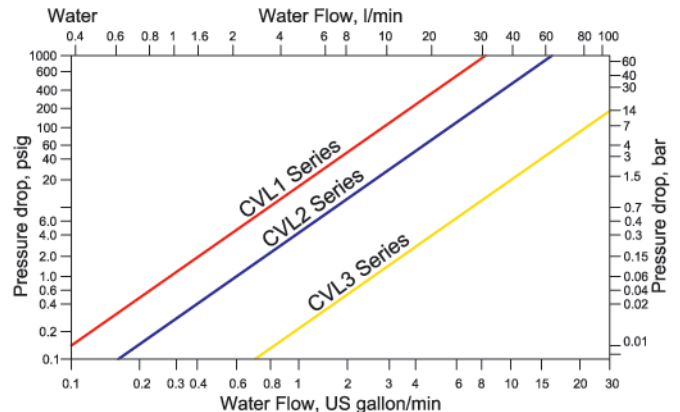
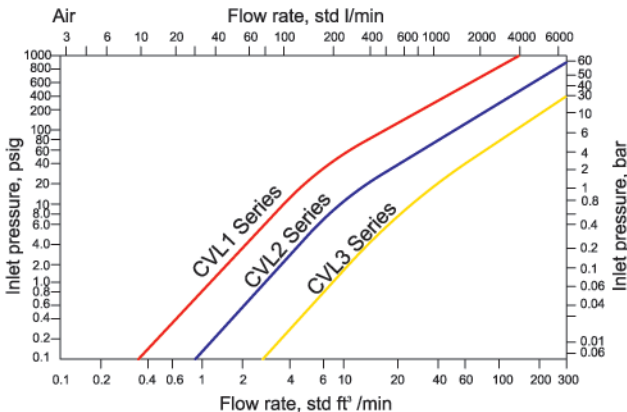
### Features

- **pressure rating** up to 6000 psig (413 bar) @70 °F(21 °C)
- **Temperature rating** from -65 °F to 900 °F (-53 °C to 482 °C)
- Variety of end connection sizes, including Hy-Lok Tube Fittings, female NPT and weld ends.
- **Body materials** available in 316 Stainless steel
- No Spring or Elastomers
- **100 % Factory tested**

### Technical Data

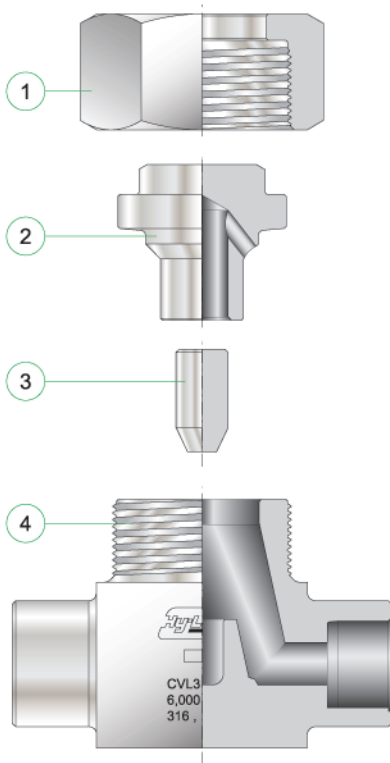
Valve Series	Orifice		Cv	Pressure Rating @ 70 °F (21 °C)	Temperature Rating
	mm	in.			
CVL1 Series	4.0	0.157	Max. 0.28	6000 psig (413 Bar)	-65 °F to 900 °F (-53 °C to 482 °C)
CVL2 Series	6.4	0.252	Max. 0.60		
CVL3 Series	11.1	0.437	Max. 2.30		

### Flow Data at 100°F (37°C)

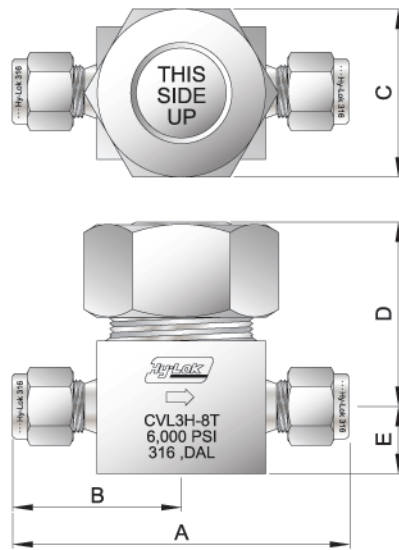


**HY-LOK CORPORATION**

## Materials of Construction



Item No	Component	Material
1	Bonnet Nut	ASTM A276/A479 TYPE 316
2	Bonnet	
3	Poppet	ASTM A564 TYPE 630
4	Body	ASTM A276/A182 TYPE 316



## Table of Dimensions

Basic Part NO.		End Connection		Cv	Orifice mm (in.)	Dimensions, mm (in.)				
Series	Part. NO.	Inlet	Outlet			A	B	C	D	E
CVL1	H-4T	1/4" Hy-Lok	1/4" Hy-Lok	0.28	4.0 (0.157)	61.9(2.44)	31.0(1.22)	22.2 (7/8)	37.3 (1.47)	9.6 (0.38)
	H-6M	6mm Hy-Lok	6mm Hy-Lok			50.8(2.00)	25.4(1.00)			
	F-2N	1/8" Female NPT	1/8" Female NPT			52.4(2.06)	26.2(1.03)			
	F-4N	1/4" Female NPT	1/4" Female NPT			46.0(1.80)	23.0(0.90)			
	SW-4T	1/4" Tube Weld	1/4" Tube Weld							
CVL2	F-4N	1/4" Female NPT	1/4" Female NPT	0.60	6.4 (0.252)	57.2(2.24)	28.6(1.12)	31.8 (1 1/4)	47.0 (1.85)	12.7 (0.50)
	F-6N	3/8" Female NPT	3/8" Female NPT			73.0(2.25)	36.5(1.25)			
	H-6T	3/8" Hy-Lok	3/8" Hy-Lok			57.2(2.25)	28.6(1.125)			
	SW-6T	3/8" Tube Weld	3/8" Tube Weld							
	SW-8T	1/2" Tube Weld	1/2" Tube Weld							
CVL3	H-8T	1/2" Hy-Lok	1/2" Hy-Lok	2.30	11.1 (0.437)	100.0(3.94)	50.0(1.97)	38.1 (1 1/2)	62.0 (2.44)	20.0 (0.79)
	H-12T	3/4" Hy-Lok	3/4" Hy-Lok			79.4(3.12)	39.7(1.56)			15.9 (0.63)
	F-8N	1/2" Female NPT	1/2" Female NPT			82.6(3.26)	41.3(1.63)			
	F-12N	3/4" Female NPT	3/4" Female NPT			79.4(3.12)	39.7(1.56)			
	SW-8T	1/2" Tube Weld	1/2" Tube Weld							

All dimensions in millimeters, reference only subject to change. Dimensions shown with Hy-Lok nuts finger-tight position, where applicable.

### ■ QUALITY SYSTEM CERTIFICATES



ISO 9001  
CERTIFICATE NO. QCC 212

ASME SECT III (MO)  
CERTIFICATE NO. QSC 584

### SAFETY in VALVE SELECTION

Proper installation, material compatibility, operation and maintenance of the valve is the responsibility of the user. The total system design must be taken into consideration to ensure optimal performance and safety.

### ■ TYPE APPROVALS (for Hy-Lok Tube Fittings)



American Bureau Shipping  
CERTIFICATE NO. 00-BK50288-X



Lloyd's Register  
CERTIFICATE NO. 01/10075



GERMANISCHER LLOYD  
CERTIFICATE NO. 57798-91 HH



DET NORSKE VERITAS  
CERTIFICATE NO. P-9100



Distributed by :



RUBVÆNGET 1 90  
2600 TÅRSRUP  
INFO@PBFLOWTEKNIK.DK  
WWW.PBFLOWTEKNIK.DK

www.hy-lok.com