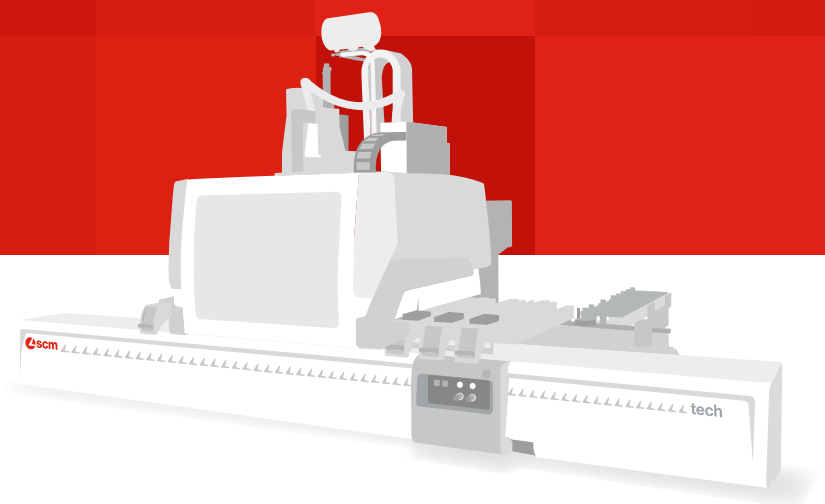




# tech

cnc machining centres with bar worktable.



Designed to be the very best.  
Optimum performance to size ratio and integration in the Netline process.

## tech z5

### tech z5

flexible cnc machining centre  
with bar worktable.

- **5 axes**
- **“Prisma 5” flexibility of use**

## tech z2

### tech z2

flexible cnc machining centre  
with bar worktable.

- **3-4 axes**
- **customisation and flexibility**

## tech z1

### tech z1

flexible cnc machining centre  
with bar worktable.

- **3-4 axes**
- **ease-of-use**



TECH Z5  
page 04

TECH Z2  
page 06

TECH Z1 PRO  
page 08

PRATIX Z5

PRATIX Z2





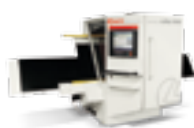
| PRATIX N



| PRATIX S



| CYFLEX F900 PRO



| CYFLEX H810 PRO



| TOP PLUS



| MULTITECH PLUS



| STARTECH



cyflex

semi-automatic boring machines

# tech z5

The “top” of the flexibility offered by a 5 axis machine.



5 AXES CNC MACHINING CENTRE WITH BAR WORKTABLE		TECH Z5	
		Z5-31	Z5-52
<b>Axes</b>			
Working area along X-Y-Z axes	mm	3050 - 1550 - 160	5200 - 1550 - 160
Panel length along Y axis	mm	1550	1550
Panel length (for alternated work process)	mm	1390	2460
Vectorial speed X-Y axes (option)	m/min	83	83
<b>Boring head</b>			
Vertical spindles up to	No. rpm	18 (10X - 4+4Y) 6000	18 (10X - 4+4Y) 6000
Horizontal spindles up to	No. rpm	8 (4X - 4Y) 6000	8 (4X - 4Y) 6000
Integrated blade in X	Ø mm - rpm	120 - 7500	120 - 7500
<b>Electrospindle</b>			
Std motor power (S1)	kW (Hp)	11 (15)	11 (15)
Max. speed	rpm	20000	20000
Tool changer on the carriage in X (base)	places	12 (10)	12 (10)
<b>Installation</b>			
Exhaust air consumption/speed	m <sup>3</sup> /hr - m/sec	5300/30	5300/30
Exhaust outlet diameter	mm	250	250
Total machine weight	Kg	3150	3350

Ideal solution to machine the **sectioned panel** and equipped with devices **allowing solid wood** machining as well.  
**Optimised time and resources** thanks to the Netline integration.



<http://goo.gl/BFKtv>

# tech z2

Customisation and flexibility.



3-4 AXES CNC MACHINING CENTRE WITH BAR WORKTABLE		TECH Z2		
		Z2-27	Z2-31	Z2-52
<b>Axes</b>				
Working area along X-Y-Z axes	mm	2700 - 1300 - 160	3050 - 1300 - 160	5200 - 1300 - 160
Panel length along Y axis	mm	1550	1550	1550
Panel length (for alternated work process)	mm	1210	1390	2460
Vectorial speed X-Y axes (option)	m/min	83	83	83
<b>Boring head</b>				
Vertical spindles up to	No. rpm	18 (10X - 4+4Y) 6000	18 (10X - 4+4Y) 6000	18 (10X - 4+4Y) 6000
Horizontal spindles up to	No. rpm	8 (4X - 4Y) 6000	8 (4X - 4Y) 6000	8 (4X - 4Y) 6000
Integrated blade in X	Ø mm - rpm	120 - 7500	120 - 7500	120 - 7500
<b>Electrospindle</b>				
Std motor power (S6)	kW (Hp)	12 (16,5)	12 (16,5)	12 (16,5)
Max. speed	rpm	24000	24000	24000
Tool changer on the carriage in X (base)	places	8 (10)	8 (10)	8 (10)
<b>Installation</b>				
Exhaust air consumption/speed	m <sup>3</sup> /hr - m/sec	3400/30	3400/30	3400/30
Exhaust outlet diameter	mm	200	200	200
Total machine weight	Kg	2400	2700	2900

Customisation and flexibility due to a wide choice of equipment presets with worktable bars and **Penta** function.



# tech z1

High performance, ease-of-use and more compact dimensions.



## 3-4 AXES CNC MACHINING CENTRE WITH BAR WORKTABLE

### TECH Z1

#### Z1 PRO 3I

#### Axes

Working area along X-Y-Z axes	mm	3050 - 1250 - 180
Panel length along Y axis	mm	1550
Panel length (for alternated work process)	mm	1390
Vectorial speed X-Y axes (option)	m/min	35

#### Boring head

Vertical spindles up to (B-C versions)	No. rpm	12 (8X - 4Y) 6000
Horizontal spindles up to	No. rpm	6 (4X - 2Y) 6000
Integrated blade in X	Ø mm - rpm	120 - 7500

#### Electrospindle

Std motor power (S6) (B-C versions)	kW (Hp)	9,5 (13)
Max. speed	rpm	24000
Tool changer on the carriage in X (base)	places	4 (10)

#### Installation

Exhaust air consumption/speed	m <sup>3</sup> /hr - m/sec	5300 + 1200/30
Exhaust outlet diameter	mm	250 + 120
Total machine weight	Kg	2400



Ideal solution for the production of customised furniture and for the panel machining.



# tech

Exclusive features.



## toptech

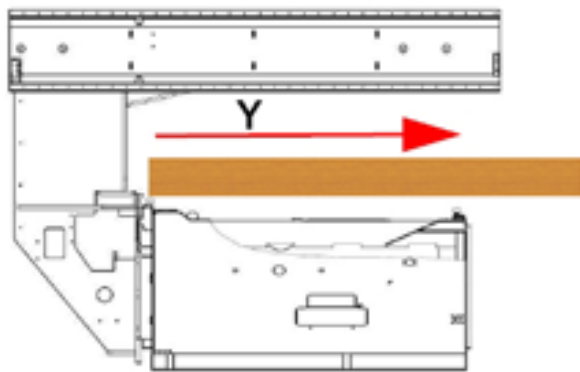
### “BUMPERS”: THE PERFECT COMBINATION OF SAFETY AND PRODUCTIVITY

The “bumpers” safety system is the only one that can fully exploit the potential of machining centres, without placing restrictions or constraints on the use of the machine:

- maximum productivity
- ease-of-use
- more compact dimensions
- guaranteed safety



<http://goo.gl/fBp9q>



## toptech

### CANTILEVER STRUCTURE: UNIQUE AND EASY TO USE.

The only structure that allows the loading of components along the “Y” axis far larger than the working capacity of the machine.



<http://goo.gl/BFKty>



### “NETLINE”: PROGRAMMING MACHINES AUTOMATICALLY.

The automatic programming of beam saws, edge banders and machining centres, interconnected via a PC with advanced software, allows the creation of complete projects without any operator intervention and no risk of errors.



**MECHANICAL FIXING OF VACUUM CUPS: CERTAINLY BEST RESULTS.**

The certainty of quality results is guaranteed by a powerful mechanical grip that locks into position the vacuum cups; instead of the widespread vacuum system. It is unrivalled when working in heavy duty conditions and unique in being free from dust (**Scm** patent).



<http://goo.gl/BFKty>

**toptech**

**"PRISMA 5" 5 AXIS ELECTROSPINDLE: OPERATING EASILY IN REDUCED SPACES WITHOUT RISK OF COLLISIONS.**

No limits to the possible uses of the 5-axis "Prisma 5" group which, with the patented **Scm** solution, allows the keeping of the overall dimensions in each direction of travel to a minimum. This results in **maximum operator convenience and flexibility of use.**

*tech z5*



**BORING HEADS: NO MORE MACHINE DOWNTIME.**

The sturdiness of **Scm** boring heads is proven by the frequency of required maintenance, only every 1000 hours, five times better than that imposed by the majority of other machine manufacturers: **indestructible** and with **low maintenance.**

# tech

Exclusive features.



## “AUTOSSET”: BARS AND VACUUM CUPS AUTOMATICALLY IN THE CORRECT PLACE.

The most practical and economical system that, using a special driving device, uses the movements of the machine body to position bars and suction cups. While the operator works on the other field, the machine prepares everything independently and without any alignment inspection required (no laser, metric rules, or LEDs,...).

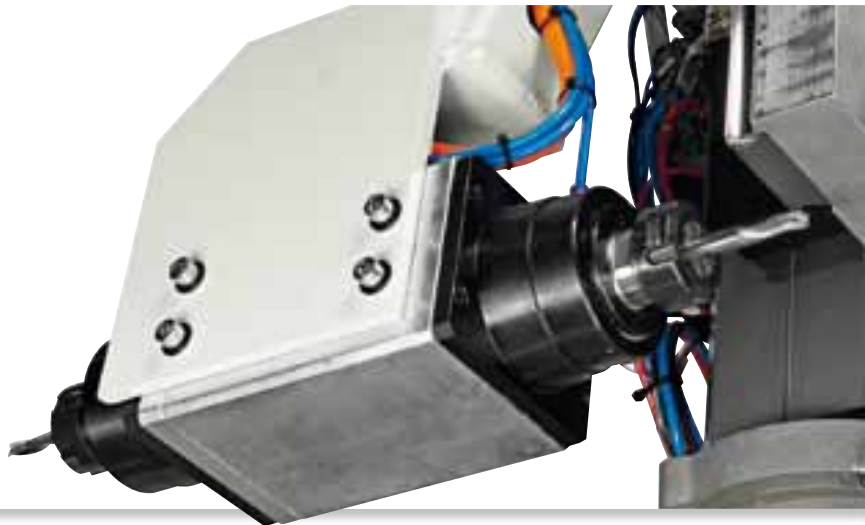


<http://goo.gl/fBp9q>

## HORIZONTAL ELECTROSPINDLE: HIGH WORKING SPEED

The direct output of motion power without gears and sprockets, a guarantee of sturdiness, allows the processing of **heavy duty work easily and fast**, without having to worry about the possible breaking of the wood or the tooling.

*tech z2*



## “PENTA” DEVICE: THE FLEXIBILITY OFFERED BY 5 AXES BUT AT A BUDGET PRICE.

The “Penta” device can **transform**, with a modest investment, a standard **4-axis machine into a perfect 5-axis** positioning one. Also available with automatic tool change.

*tech z2*



<http://goo.gl/BFKty>



#### “TECPAD”: EASE-OF-USE AND PRODUCTIVITY AT FINGER TIPS.

The “Tecpad” standard remote control with LCD display, with 7” colour touch-screen allows the operator to fully **manage the machine intuitively**. The commands are always close to both the machine and the operator.

#### “PRO-SPACE” PROTECTIONS: SAFE AND COMPACT.

Ideal for those with limited available space, it is distinguished by:

- absence of perimeter protections
- protections mounted directly on the mobile upright
- also free access to the rear of the machine

*tech z1 pro*



#### “PRO-SPEED” PROTECTIONS: THE BEST COMPROMISE BETWEEN SPEED AND COMPACTNESS.

X-axis speed up to **70 m/min** due to the new Scm solution using the **photo-bumpers** system, ensuring reduced overall dimensions, maximum safety and ease-of-use.

*tech z5, tech z2*



# tech

Work table.



## TV WORK TABLES

with tubeless system and pneumatic locking of the 6 or 8 bars and the 120 x 120 mm interchangeable suction cups.

Complete with second rows of stops (option for tech z2) for a better management of small dimensions work pieces.

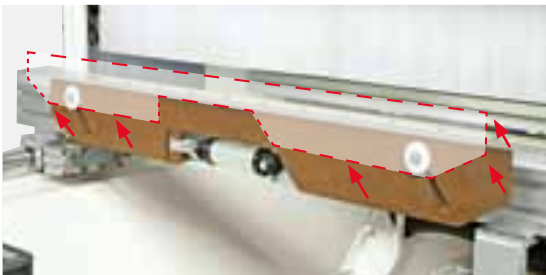
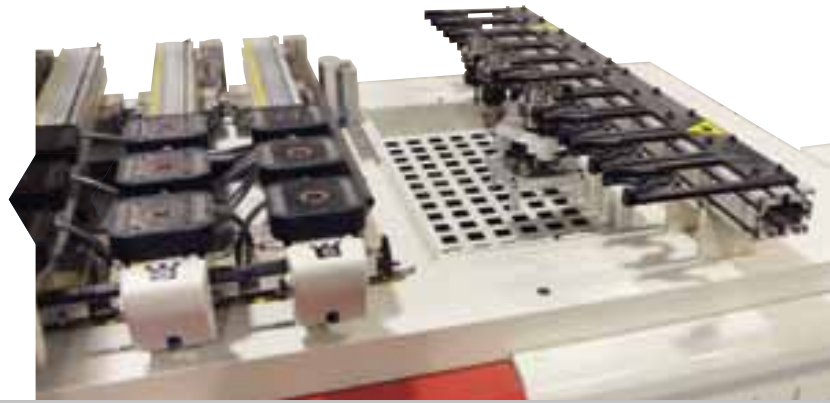
*tech z5, tech z2*

## TVF WORK TABLES

with pneumatic locking of the 4 (A version) or 6 (A and B versions) bars and the 120 x 120 mm suction cups.

Complete with second rows of stops (option for A and B versions) for a better management of small dimensions work pieces.

*tech z1 pro*



## Loading assistance device

It facilitates the positioning of the large dimensions panels on the work table.



## Air conveyor

Easier dust collection located under the work table, ensuring it is always clean.



## Dust shavings conveyor

Dust shavings conveyor belt for easier removal of waste materials.



## Central reference with a double stop

Precise boring with no misalignment when assembling the work pieces.



**Specific operating group for tech z5:**

- boring head
- "Prisma 5" 5 axis electrospindle, 11 kW - 15 HP with water cooling group



**Specific operating group for tech z2:**

- boring head
- 12 kW - 16,5 HP vertical electrospindle
- 5 kW - 7,6 HP horizontal electrospindle (C, D versions)
- interpolating Vector axis (C version)

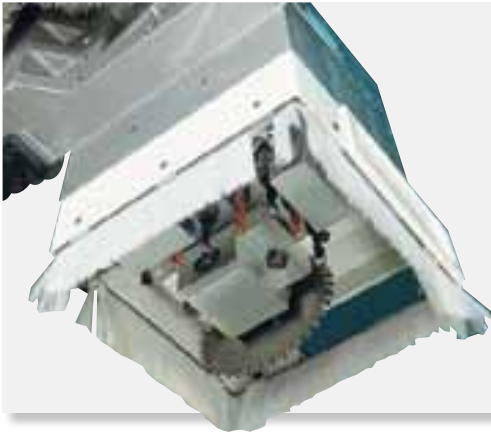


**Specific operating group for tech z1:**

- boring head
- 6,6 kW - 9 HP electrospindle (A version)
- 9,5 kW - 13 HP electrospindle (B, C versions)
- not-interpolating Vector axis (C version)

# tech

Boring heads.



**Boring unit with 7 vertical spindles and 4 horizontal spindles.**

No. 1 integrated blade along X direction (120 mm maximum diameter).

*tech z1 pro (A version)*

**Boring unit with 12 vertical spindles and 6 horizontal spindles.**

No.1 integrated blade along X direction (120 mm maximum diameter).

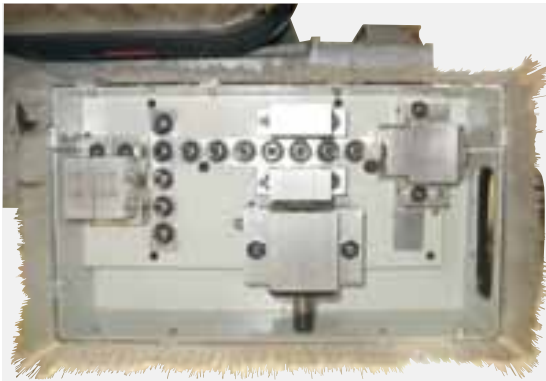
*tech z5, tech z2, tech z1 pro (B and C versions)*



**Boring unit with 12 vertical spindles and 8 horizontal spindles.**

No. 1 integrated blade along X direction (120 mm maximum diameter).

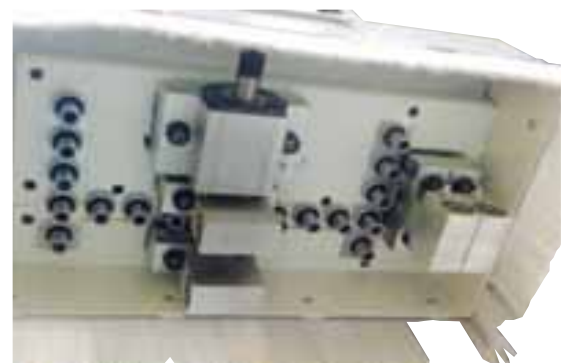
*tech z2*



**Boring unit with 18 vertical spindles and 8 horizontal spindles.**

No.1 integrated blade along X direction (120 mm maximum diameter).

*tech z2*







**Extensive customisation possible**  
with quick attachments for boring heads and angular heads having 1, 2 and 4 outlets with HSK taper couplings for angled routing, boring and grooving with plays elimination system or fixed mechanical couplings.  
*tech z2, tech z1 pro*



# tech

Tool changers.



## TR10 tool changer

Positioned on the machine base.

No problems even with large dimensioned tools.

## R12 tool changer

Positioned on the machining head support. It provides reduced setting-up times and higher tool-holder magazines capacity.

*tech z5*



## R8 tool changer

Faster machine tool changeover due to the tool changer mounted on the machining head support.

*tech z2*

## R4 tool changer

with pneumatic positioning on the machining head support. Ideal equipment for panel machining with alternated work processing.

*tech z1 pro*



# tech

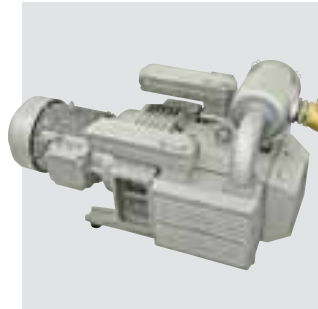
Other devices.



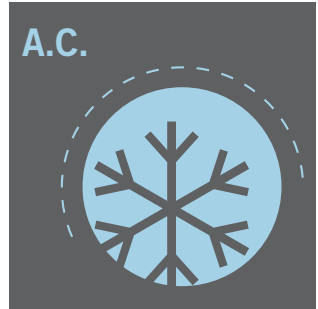
**Automatic centralised lubrication**  
managed by the control (optional device for tech z1 pro, A and B versions).



**Telesolve**  
Teleservice system to connect the machine's PC to the service department by means of the internet.



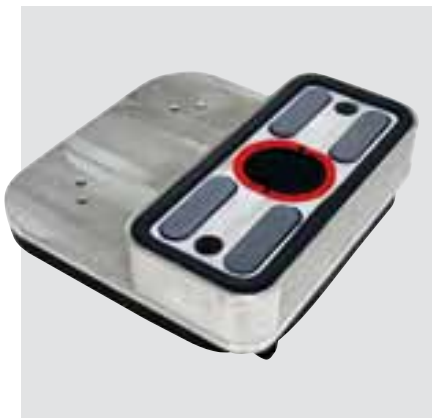
**Upgrade**  
To 250 m<sup>3</sup>/hr 50 Hz pump (option).



**Electrical cabinet**  
with air conditioner which maintains the temperature at around 18°C. (option).

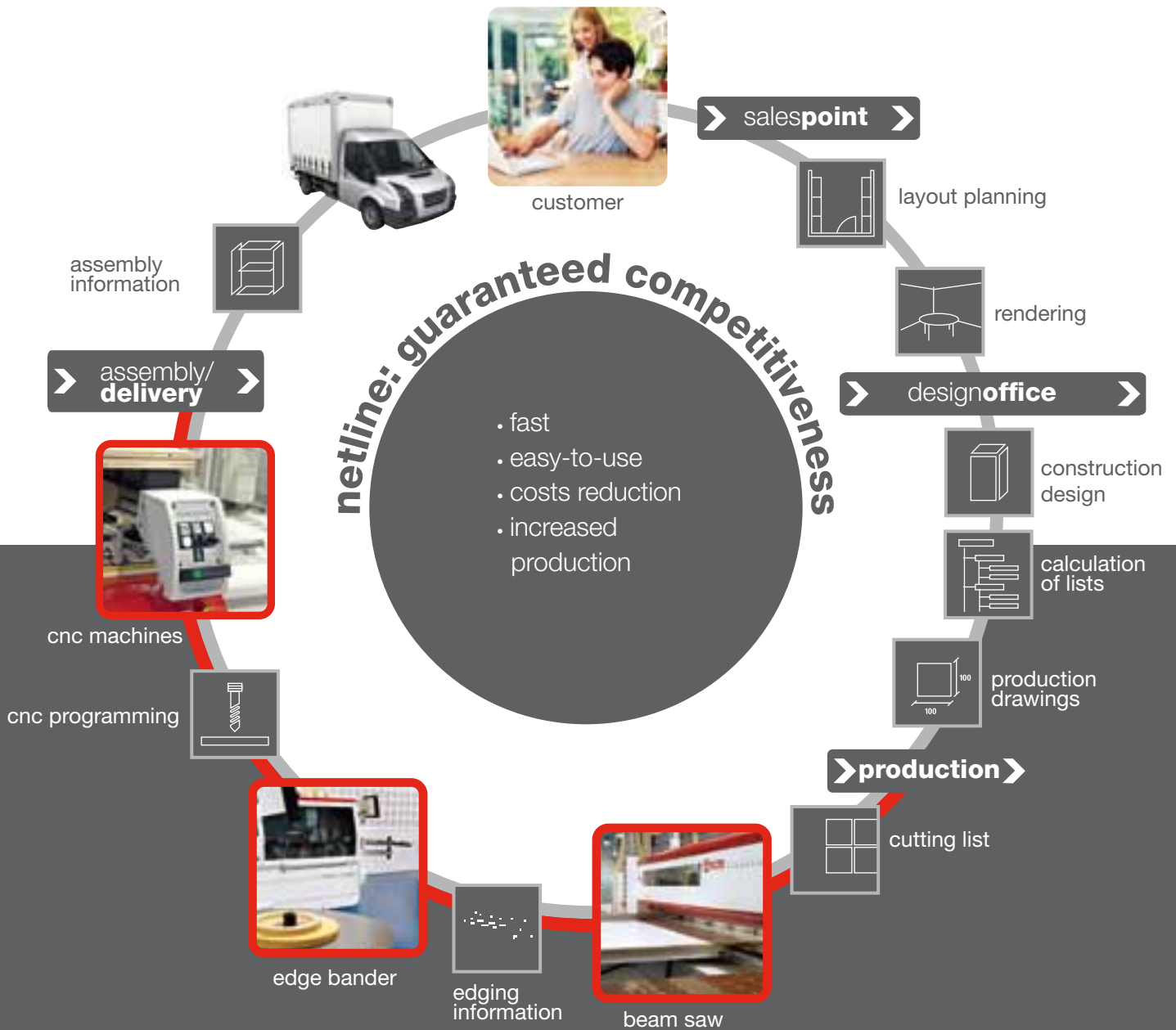


**Laser**  
managed by optimisation software for correct positioning of each bar and suction cup (option).



## Extensive choice of optional devices for TVF or TV work tables

- Suction cups available with different dimensions
- Horizontal or vertical clamps
- Lockings for narrow work pieces (fingers)
- References for panels with overhanging edges



## netline: integrated processing advantages

- **Fast:** very high execution speed and production time reduced to a minimum
- **Easy-to-use:** does not require skilled operators
- **Costs reduction:** a few minutes from design to production
- **Increased productivity:** the software-machine integration sets to zero the programming time due to the automatic and immediate switching of information from design to production

# software xilogmaestro

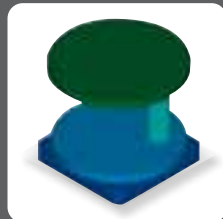
Simply-pro: pro-ject, pro-gramming and pro-duction becomes simple and straightforward!



<http://goo.gl/fBp9q>

## xilog maestro: simply-pro

- easy-to-use
- intuitive
- immediate



3D graphic set-up of work table



graphics library



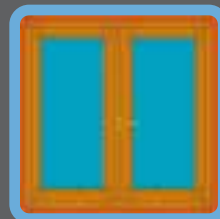
programming work table from 3D graphics



maestro nesting



maestro cabinet



maestro wd

**xilog maestro** from the **scmgroup**: the advantage of having simple and intuitive software

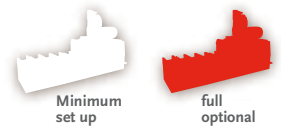
- **Easy-to-use**: easy planning of 3D elements due to the software modules:
  - maestro cabinet*: to create complete cabinets and furniture
  - maestro nesting*: for rectangular and free-form elements it also ensures reduced production time and tool paths
  - maestro wd*: to create complete fastenings
- **Intuitive**: intuitive programming due the pre-set large graphics macro library
- **Immediate**: work table immediately set-up from 3D graphics

# tech

Machines set up for all requirements.

▼ ideal set up for:	▼ tech z5	▼ tech z2
MINIMUM SET-UP		<ul style="list-style-type: none"> <li>▶ F18 boring head</li> <li>▶ 12 kW electrospindle and R4 tool changer</li> <li>▶ No. 6 TV tables, 12 suction cups 120 x 120 mm H30</li> <li>▶ 90/108 m<sup>3</sup>/hr 50/60 Hz vacuum pump</li> <li>▶ Xilog Maestro and Telesolve software</li> </ul>
“A” PANEL MACHINING		
“B” GENERIC APPLICATIONS		<ul style="list-style-type: none"> <li>▶ Remote control for machine controls</li> <li>▶ Optimised centralised exhaust outlet</li> <li>▶ F18 boring head with inverter</li> <li>▶ 12 kW electrospindle and R8 tool changer</li> <li>▶ Set up for angular heads with preloading</li> <li>▶ Automatic centralised lubrication</li> <li>▶ No. 6 TV tables with loading aid device, 12 suction cups 120 x 120 mm H30</li> <li>▶ 90/108 m<sup>3</sup>/hr 50/60 Hz vacuum pump</li> <li>▶ Xilog Maestro and Telesolve software</li> </ul>
“C” FULL OPTIONAL VERSION	<ul style="list-style-type: none"> <li>▶ Remote control for machine controls</li> <li>▶ Optimised centralised exhaust outlet</li> <li>▶ F18 boring head with inverter</li> <li>▶ Device to increase the drilling pressure</li> <li>▶ “Prisma 5” 5 axis head with water cooling group</li> <li>▶ No. 6 TV tables, 12 suction cups 120 x 120 mm H30 and No. 4 suction cups 120 x 120 mm H50</li> <li>▶ TR10 and R12 tool changers</li> <li>▶ Automatic centralised lubrication</li> <li>▶ Loading aid device for TV tables and second row of stops</li> <li>▶ 90/108 m<sup>3</sup>/hr 50/60 Hz vacuum pump</li> <li>▶ Xilog Maestro and Telesolve software</li> </ul>	<ul style="list-style-type: none"> <li>▶ Remote control for machine controls</li> <li>▶ Optimised centralised exhaust outlet</li> <li>▶ F18 boring head with inverter</li> <li>▶ 12 kW electrospindle with R8 and TR10 tool changers</li> <li>▶ VECTOR AXIS and Penta Digital Control</li> <li>▶ 2 outlets electrospindle for horizontal power routing</li> <li>▶ No. 6 TV tables with loading aid device, 12 suction cups 120 x 120 mm H30</li> <li>▶ 90/108 m<sup>3</sup>/hr 50/60 Hz vacuum pump</li> <li>▶ Automatic centralised lubrication</li> <li>▶ Xilog Maestro and Telesolve software</li> </ul>
“D” DOORS APPLICATIONS		<ul style="list-style-type: none"> <li>▶ Remote control for machine controls</li> <li>▶ Optimised centralised exhaust outlet</li> <li>▶ F18 boring head with inverter</li> <li>▶ 12 kW electrospindle with R8 tool changer</li> <li>▶ Set up for angular heads with preloading</li> <li>▶ 2 outlets electrospindle for horizontal power routing</li> <li>▶ Automatic centralised lubrication</li> <li>▶ No. 6 TV tables with loading aid device, 12 suction cups 120 x 120 mm H30</li> <li>▶ 90/108 m<sup>3</sup>/hr 50/60 Hz vacuum pump</li> <li>▶ Xilog Maestro and Telesolve software</li> </ul>

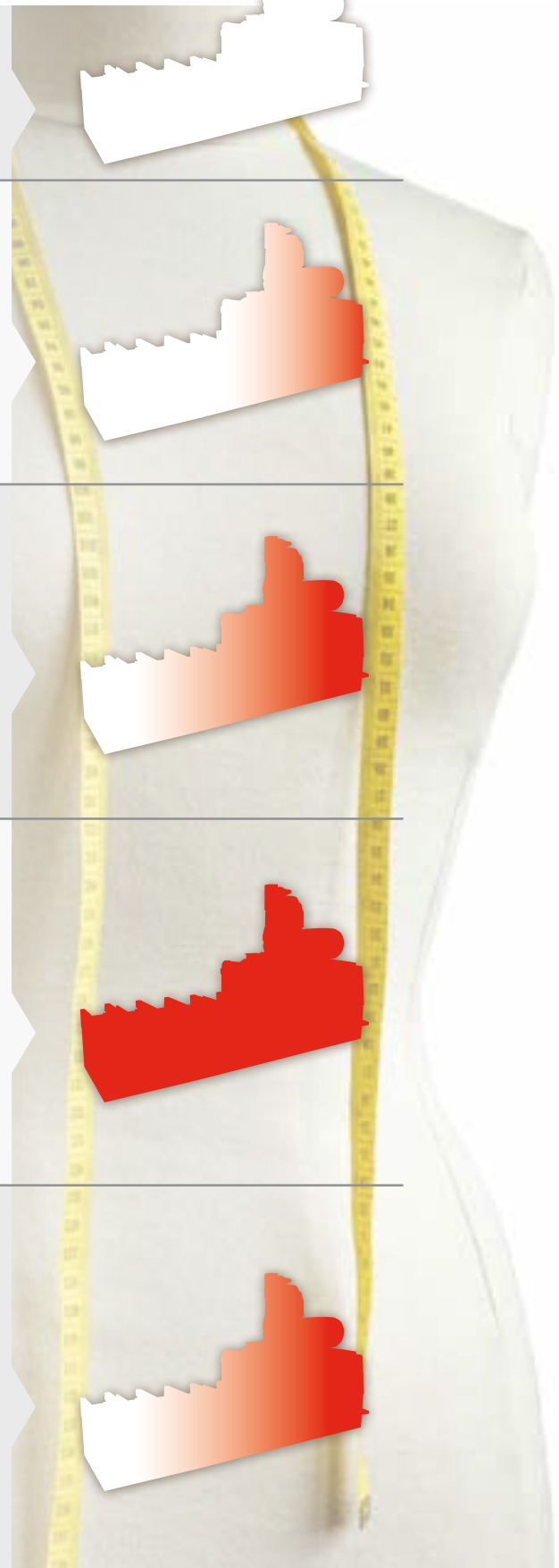
## ▼ tech z1 pro



- ▶ 6,6 kW electrospindle and TR10 tool changer
- ▶ F11 boring head with inverter
- ▶ Optimised centralised exhaust outlet
- ▶ Set up for angular heads with fixed mechanical coupling system
- ▶ Centralised lubrication with manual pump
- ▶ No. 4 TVF tables, 12 interchangeable suction cups 120 x 120 mm H30
- ▶ 90/108 m<sup>3</sup>/hr 50/60 Hz vacuum pump
- ▶ Xilog Maestro and Telesolve software

- ▶ 9,5 kW electrospindle and TR10 tool changer
- ▶ Remote control for machine controls
- ▶ F18 boring head with inverter
- ▶ Centralised exhaust outlet
- ▶ Set up for angular heads with fixed mechanical coupling system
- ▶ Centralised lubrication with manual pump
- ▶ No. 6 TVF tables with loading aid device, 18 suction cups 120 x 120 mm H30
- ▶ 90/108 m<sup>3</sup>/hr 50/60 Hz vacuum pump
- ▶ Xilog Maestro and Telesolve software

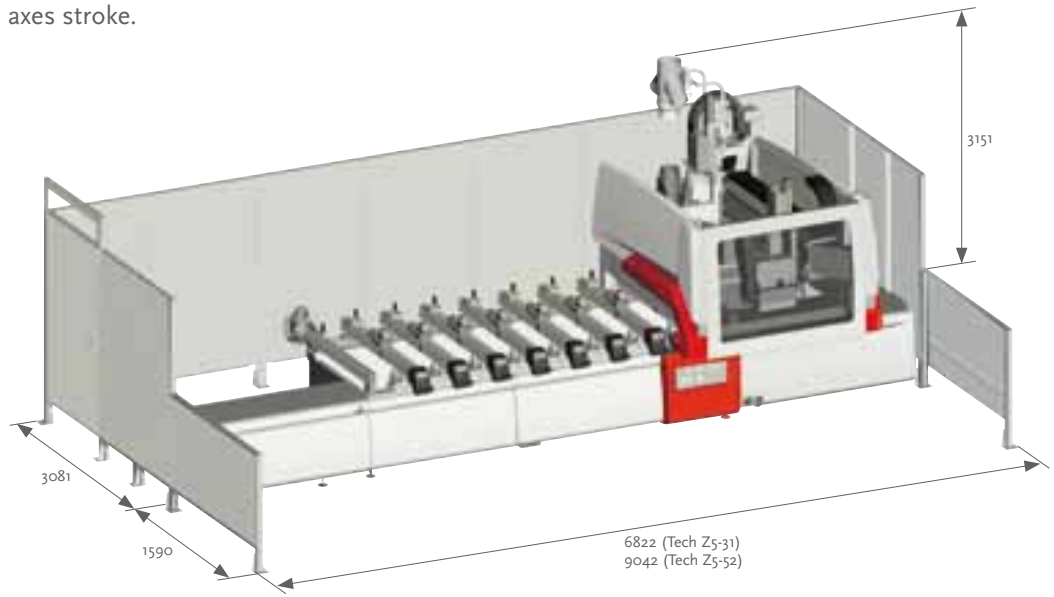
- ▶ 9,5 kW electrospindle and TR10 tool changer
- ▶ "TECPAD" remote control with 7" touch-screen display
- ▶ F18 boring head with inverter
- ▶ Centralised exhaust outlet
- ▶ VECTOR AXIS with Digital Control (with fixed mechanical coupling system)
- ▶ No. 6 TVF tables, with loading aid device, 18 suction cups 120 x 120 mm H30
- ▶ Automatic centralised lubrication
- ▶ Second row of stops
- ▶ 90/108 m<sup>3</sup>/hr 50/60 Hz vacuum pump
- ▶ Xilog Maestro and Telesolve software



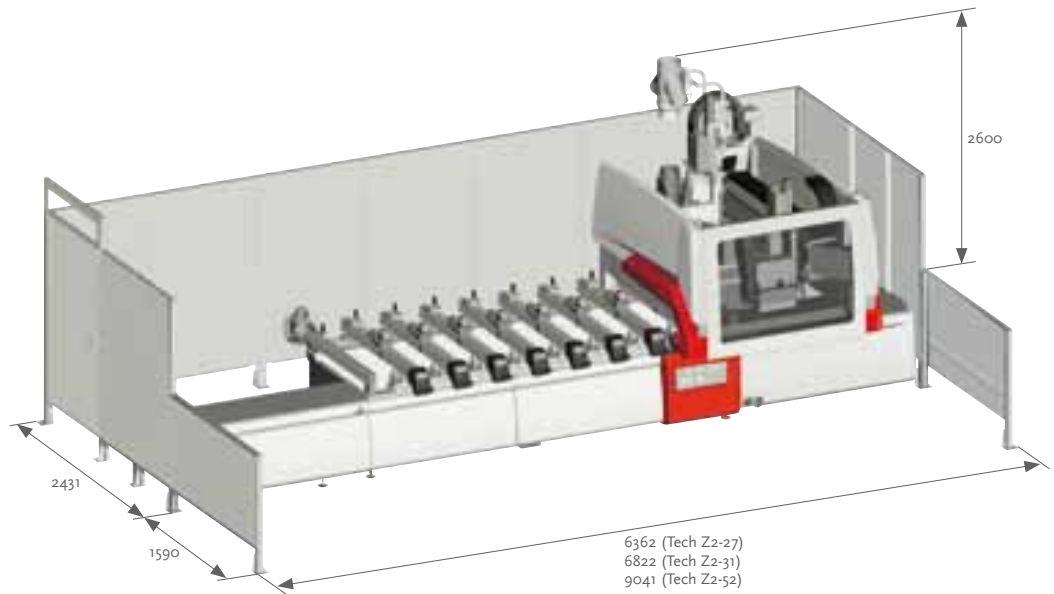
# tech

Overall dimensions and axes stroke.

## tech z5 ▶



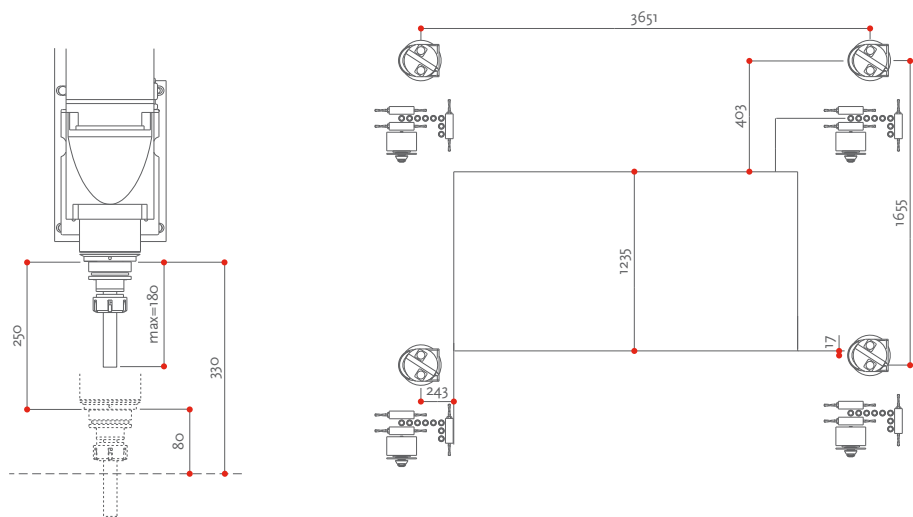
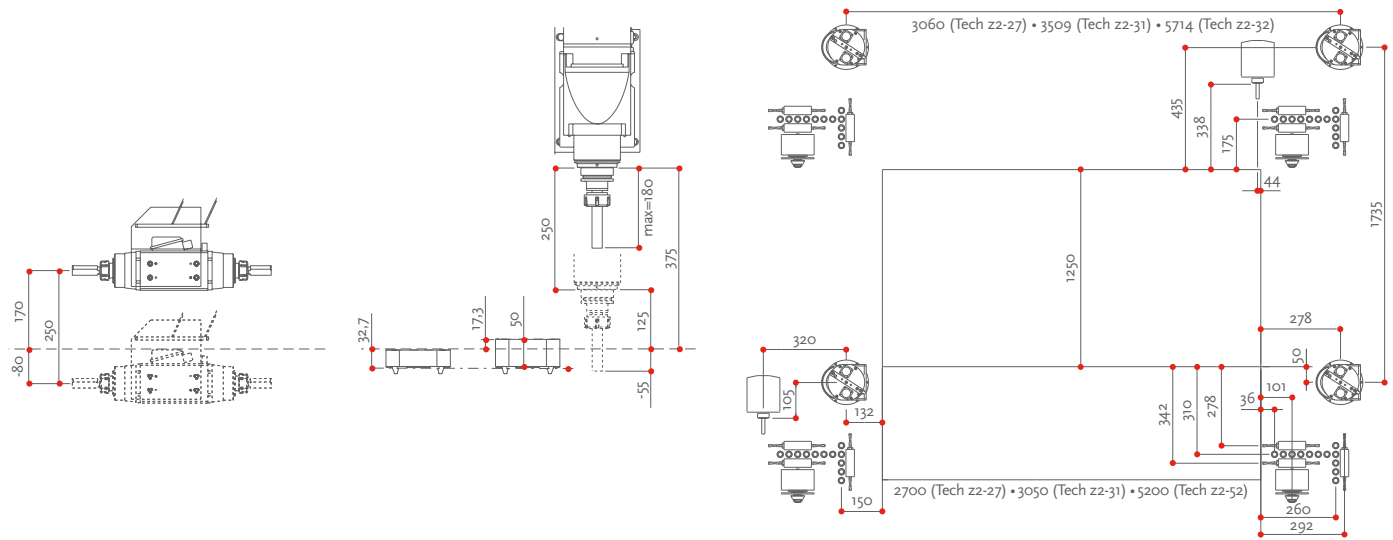
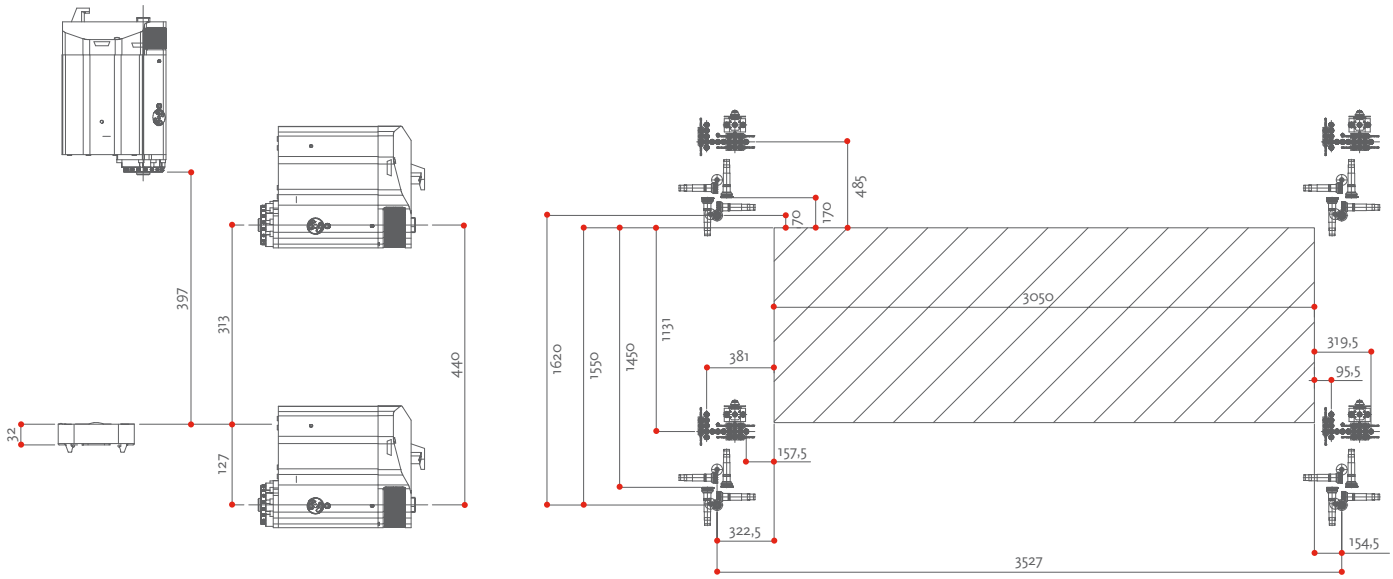
## tech z2 ▶



## tech z1 ▶







 **scm**  
 **minimax**  
 **scm tecmatic**

 **scm**  
 **routech**  
 **celaschi**  
 **dmc**  
 **superfici**  
 **sergiani**  
 **gabbiani**  
 **morbidelli**  
 **mahros**  
 **stefani**  
 **cpc**  
 **sag**

 **scmgroup**  
 **delmac**  
 **scmfonderie**  
 **steelmec**  
 **hiteco**  
 **es**  
 **csr**

 **CMS Cms**  
wood technology

 **CMS Cms**  
advanced materials technology

 **CMS Brembana**  
stone technology

 **CMS Brembana**  
glass technology

 **CMS CmsPlast**  
plastic technology

 **CMS Tecnocut**  
waterjet technology

 **CMS Balestrini**

1 large integrated group  
18 production sites  
29 specialist brands  
21 foreign branches  
more than 50 years in business  
70% exports  
350 agents and distributors  
365 registered patents  
500 engineers  
3.000 square metres showroom  
10.000 classical and professional  
machines manufactured per year  
240.000 square metres  
of production space



passion**technology**performance  
[www.scmgroup.com](http://www.scmgroup.com)

**scm**  **group**



the best global partner that is very close to woodworking companies.



The technical data can vary according to the requested machine composition. In this catalogue, machines are shown with options. The company reserves the right to modify technical specifications without prior notice; the modifications do not influence the safety foreseen by the CE Norms.

**SIN&ERT**



REG. N. 0918  
UNI EN ISO 9001:2001

**scm**  **group**

**SCM GROUP SPA SCM**

sales offices: via Casale, 450 - 47826 Villa Verucchio, Rimini - Italy

tel. +39 0541 674111 - fax +39 0541 674274 - [scm@scmgroup.com](mailto:scm@scmgroup.com) - [www.scmgroup.com](http://www.scmgroup.com)

