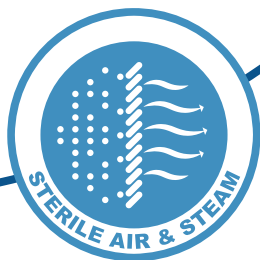


  
**ULTRAFILTER**  
THE FILTRATION MANUFACTURER  
THE SCANDINAVIAN FILTRATION PARTNER



**ULTRAFILTER HEATLESS ADSORPTION DRYER**






**WWW.ULTRA-FILTER.COM**

# HEATLESS ADSORPTION DRYER

HeatLess HL



## Technical Data

-  Standard: 16 bar (25 bar optional)
-  Max. Inlet: 50°C
-  50 - 9500 m³/h
-  Dewpoint: -40°C up to -70°C
-  230V 50Hz (115V 60Hz optional)

## Features & Benefits

- Pre- and after filter included
- Galvanised in- and outlet

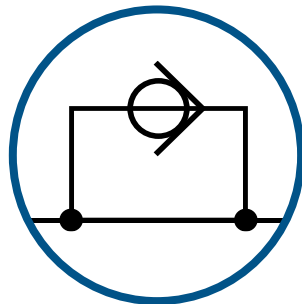
As a complete system the HeatLess HL adsorption dryer has a prefilter (with automatic condensate drain), silencers and an integrated dust filter onboard providing maximum efficiency and operational safety.

HeatLess HL adsorption dryer are produced for a wide range of applications and are delivered ready to connect and easy to install. Standard pressure 16 bar, up to 25 bar optional.

## DRYER OPTIONS



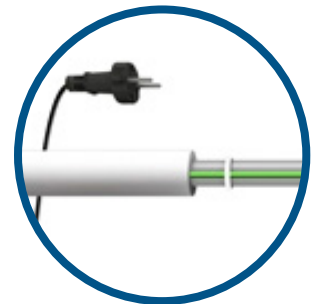
Dewpoint Measurer



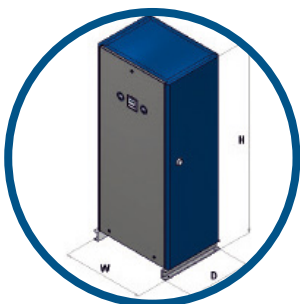
Bypass



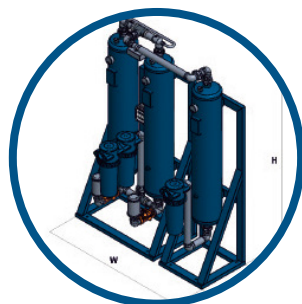
ATEX



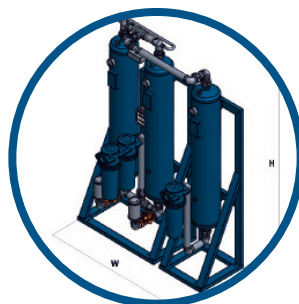
Anti Freezing Trace Heating



Cabinet Version



Oil Free Version



Breathing Air Version



Siemens PLC

# HEATLESS ADSORPTION DRYER

HeatLess HL



## Compact design

Due to the compact design the new series of HL dryers are saving installation space and shipping costs.

The symmetric design with the central position of the UPEC control system are service- and maintenance friendly. Service components are easy to maintain, because they are accessible from the front side of the dryer. Pre- and afterfilters are also installed in central position, easy to access from both side (no preferred flow direction). The modular system design allows to modify a HeatLess HL dryer to an OFA of free air system or to an ALG air breathing system (see options).

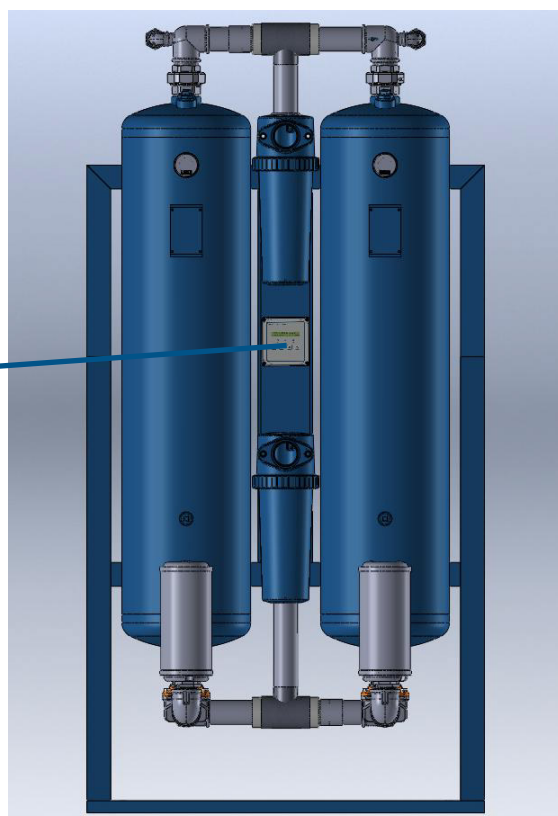
## Quality product

Only the best components were used for the production of the ultrafilter high-efficiency compressed air dryers. According to our quality safety program in appliance to DIN ISO 9001 these products are declared „quality product“. Together with the maintenance- and user-friendly construction, absolute operation safety and reliability is ensured, guaranteed by a 5-years-operation warranty. Therefore products of these performance are marked „Made in Germany“.

All ultrafilter HeatLess HL adsorption dryers guarantee lowest possible total cost of ownership.

## HeatLess HL Standards

- High energy efficiency
- High reserve capacity
- Reliability
- Safe operation, easy to maintain
- UPEC 2008 or 2012 control panel
- High corrosion resistance due to galvanised piping
- Easy to ship due to compact dimensions
- Pre- and afterfilter onboard
- Dew point -20°C up to -70°C



# HEATLESS ADSORPTION DRYER

HeatLess HL



Model	Flow m <sup>3</sup> /h	Connection in/out	Dimensions (mm)			Weight
			Width	Depth	Height	
HL 0050	50	G¾	580	380	1200	90
HL 0080	80	G¾	580	380	1550	115
HL 0100	100	G1	580	380	1480	145
HL 0150	150	G1	800	450	1850	180
HL 0175	175	G1	800	450	1700	240
HL 0225	225	G1 ½	800	480	1760	285
HL 0300	300	G1 ½	800	480	1720	370
HL 0375	375	G1 ½	1000	600	2020	430
HL 0550	550	G2	1000	600	1960	520
HL 0650	650	G2	1000	600	2000	680
HL 0850	850	G2	1300	800	2200	770
HL 1000	1000	G2 ½	1300	800	2300	850
HL 1400	1400	DN80	1200	900	2200	1100
HL 1700	1700	DN80	1300	950	2300	1250
HL 2000	2000	DN80	1400	1000	2300	1400
HL 2500	2500	DN100	1600	1100	2400	1800
HL 3000	3000	DN100	1700	1200	2400	2000
HL 3500	3500	DN100	1800	1250	2450	2300
HL 4000	4000	DN150	1900	1400	2700	2700
HL 5000	5000	DN150	2100	1400	2800	3100
HL 6000	6000	DN150	2300	1500	2900	3600
HL 7000	7000	DN150	2500	1600	2900	4000
HL 8200	8200	DN150	2700	1700	2900	4500
HL 9500	9500	DN200	2900	1900	3100	5000

Correction factor:

Correction factor K1		Operating Pressure (bar g)												
		4	5	6	7	8	9	10	11	12	13	14	15	16
Inlet temperature (°C)	35	0,63	0,75	0,88	1,00	1,13	1,25	1,38	1,50	1,55	1,60	1,65	1,70	1,76
	40	0,55	0,66	0,77	0,88	0,99	1,10	1,21	1,32	1,43	1,54	1,65	1,70	1,76
	45 *	0,42	0,50	0,59	0,67	0,76	0,84	0,92	1,01	1,09	1,17	1,26	1,34	1,42
	50 **	0,35	0,41	0,48	0,55	0,62	0,69	0,76	0,83	0,90	0,96	1,03	1,10	1,17

\* PDP -25°C

\*\*PDP -20°C

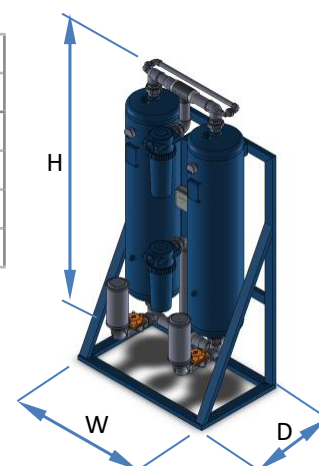
Guidance:

Inlet Flow Rate  $V_{\text{eff}}$ : 300 m<sup>3</sup>/h  
 Operating pressure: 8 bar g  
 Inlet temperature: 45 °C

Correction factor K1: 0,76

$$V_{\text{corr}} = V_{\text{eff}} / K1 = (300 \text{ m}^3/\text{h}) / 0,76$$

$$V_{\text{corr}} = 395 \text{ m}^3/\text{h}$$





# ULTRAFILTER

THE FILTRATION MANUFACTURER

THE SCANDINAVIAN FILTRATION PARTNER

## SHOP ONLINE

At [www.ultra-filter.com](http://www.ultra-filter.com) you will find a wide selection of filtration products ready for you to order.



[www.ultra-filter.com](http://www.ultra-filter.com)

## ABOUT US

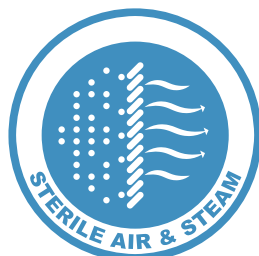
Ultrafilter Scandinavia offers a wide selection of filtration products for compressed air, liquids and gas. We have stock in Denmark and from here we distribute all of our products to Scandinavia and the Baltic countries.

Ultrafilter Scandinavia is a part of the Ultrafilter group. Our production facility is in Germany and we have several subsidiaries in Europe and the United States.

You can buy our products on local websites. Information about our products as well as brochures and manuals can be found on our website ([www.ultra-filter.com](http://www.ultra-filter.com)).

We can adapt all of our filtration products to your needs, and we offer visits from our consultants in order to find the right solution for you. We also offer on going service on our products once they are installed.

## FILTRATION OF



# ULTRAFILTER SKANDINAVIEN APS

Sunekær 1  
5471 Søndersø  
Denmark

+45 82 30 30 20  
[info@ultra-filter.com](mailto:info@ultra-filter.com)  
[www.ultra-filter.com](http://www.ultra-filter.com)