

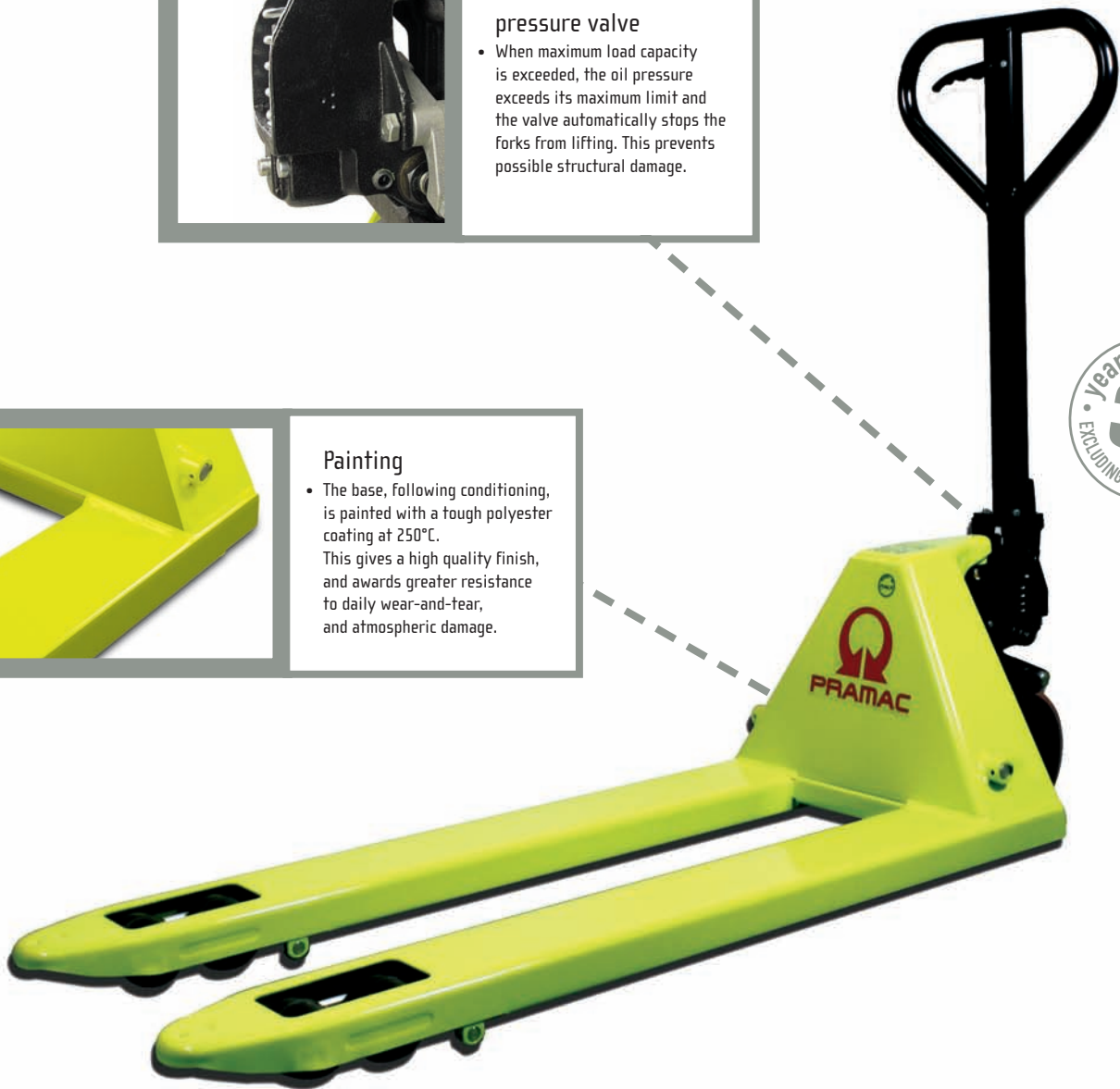
**Maximum pressure valve**

- When maximum load capacity is exceeded, the oil pressure exceeds its maximum limit and the valve automatically stops the forks from lifting. This prevents possible structural damage.



**Painting**

- The base, following conditioning, is painted with a tough polyester coating at 250°C. This gives a high quality finish, and awards greater resistance to daily wear-and-tear, and atmospheric damage.



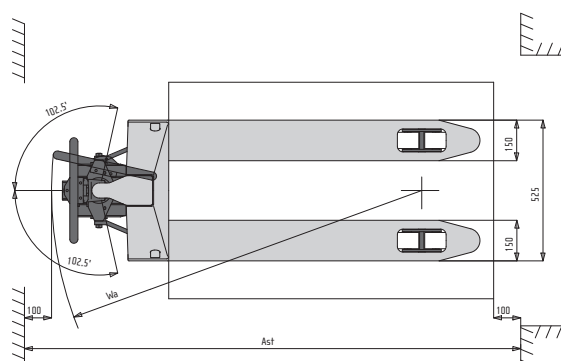
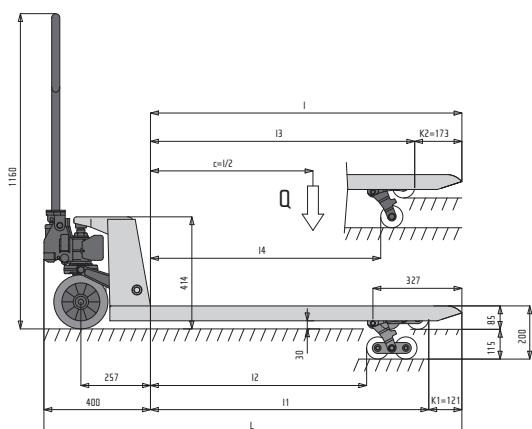
CAPACITY 2.2 T



CODE		GAC410RB000	GAD410RB000	GAC010RB000	GAD010RB000	GAC210RB000	GAD210RB000
MODEL		22 52	22 54	22 52	22 54	22 52	22 54
CAPACITY	kg	2200	2200	2200	2200	2200	2200
ROLLERS	N°/*	2/N	4/N	2/N	4/N	2/N	4/N
WHEELS	*	P	P	P	P	P	P
<b>DIMENSIONS</b>							
FORK LENGTH	mm	1150	1150	800	800	1000	1000
FORK WIDTH	mm	525	525	525	525	525	525
HEIGHT FROM THE FLOOR MIN/MAX	mm	85/200	85/200	85/200	85/200	85/200	85/200
WEIGHT	kg	63	67	53	57	59	63
<b>OPTIONAL</b>							
ROLLERS IN POLYURETHANE	Code	GZ000500000	GZ000500002	GZ000500000	GZ000500002	GZ000500000	GZ000500002
HAND OPERATED BRAKE	Code	GZ000500005	GZ000500005	GZ000500005	GZ000500005	GZ000500005	GZ000500005
RUBBER STEERING WHEELS	Code	GZ000500000	GZ000500000	GZ000500000	GZ000500000	GZ000500000	GZ000500000

\* P=Polyurethane., N=Black Nylon

	mm	800	1000	1150
<b>l</b>	mm	800	1000	1150
<b>l1</b>	mm	679	879	1029
<b>l2</b>	mm	450	650	800
<b>l3</b>	mm	627	827	977
<b>l4</b>	mm	500	700	850
<b>L</b>	mm	1200	1400	1550
<b>Wa</b>	mm	1019	1218	1367
<b>Ast</b>	mm	1484	1683	1832



The producer reserves the right to introduce changes to models and features without prior notice.