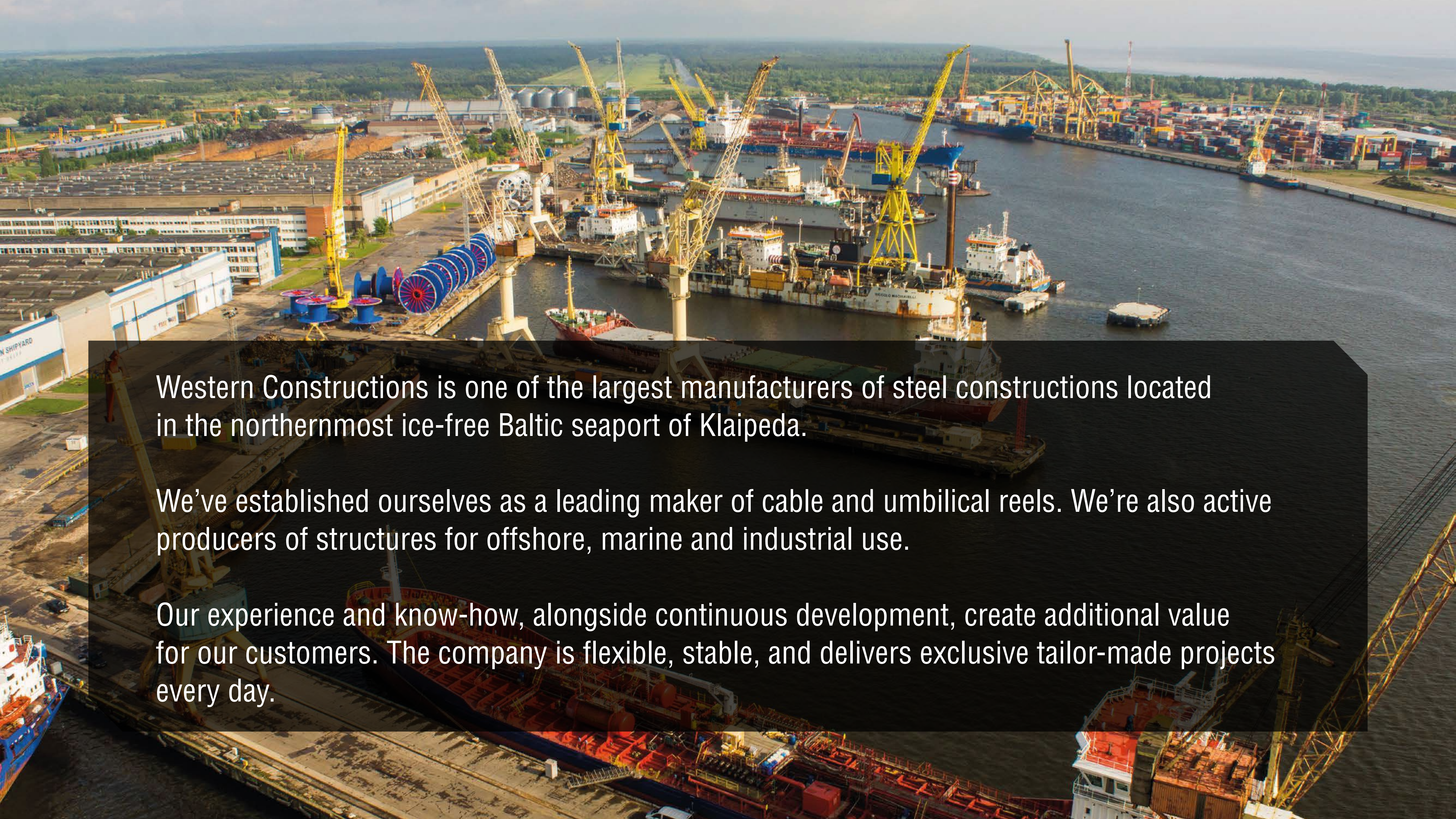




**WESTERN
CONSTRUCTIONS**
BLRT GRUPP

**The contractor you can rely on.
And afford.**



Western Constructions is one of the largest manufacturers of steel constructions located in the northernmost ice-free Baltic seaport of Klaipeda.

We've established ourselves as a leading maker of cable and umbilical reels. We're also active producers of structures for offshore, marine and industrial use.

Our experience and know-how, alongside continuous development, create additional value for our customers. The company is flexible, stable, and delivers exclusive tailor-made projects every day.



**WESTERN
CONSTRUCTIONS**
BLRT GRUPP

DAUGHTER COMPANY OF



**WESTERN
SHIPYARD**
BLRT GRUPP

**FORMER SHIPYARD
1969**

**ESTABLISHED
2004**

more than 4 decades



PERSONNEL UP TO **300** PEOPLE

25 000 m² OF COVERED WORKSHOPS



**WESTERN
CONSTRUCTIONS**
BLRT GRUPP

Product range

The Offshore and Subsea Sector

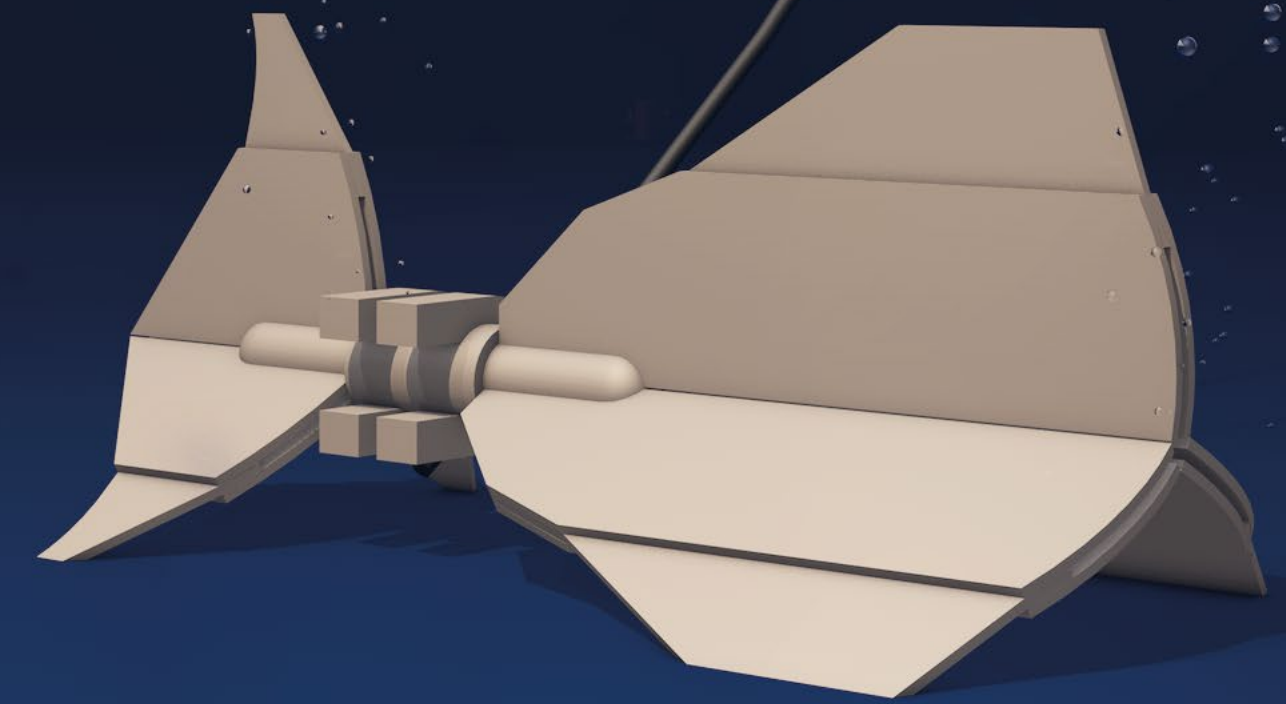


- **Anchors** – we are capable of building most type of anchors, from heavy and huge to tiny but tough.
- **Subsea structures** – manifolds and foundations for sophisticated deep-water installations.
- **Arches and buoys** – floating supports, mooring buoys or weather stations.



Drop anchors

Gravity anchors



Offshore and Subsea Sector



Suction anchors

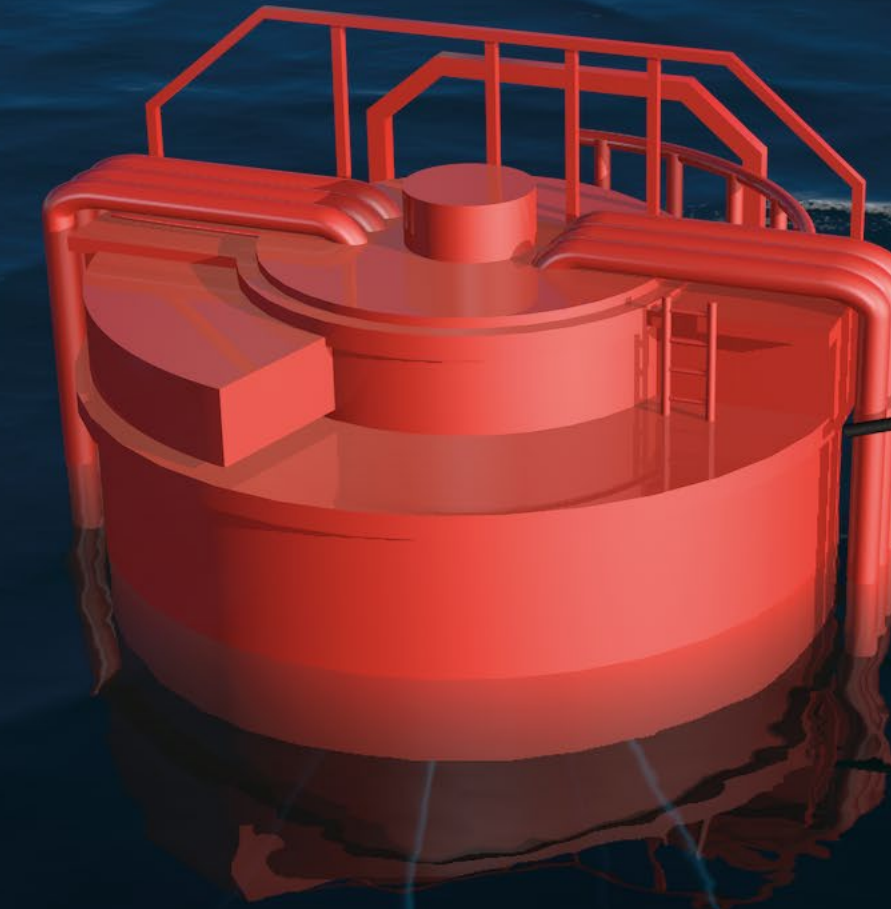
Mid water arches



Xmas trees



Single buoy mooring

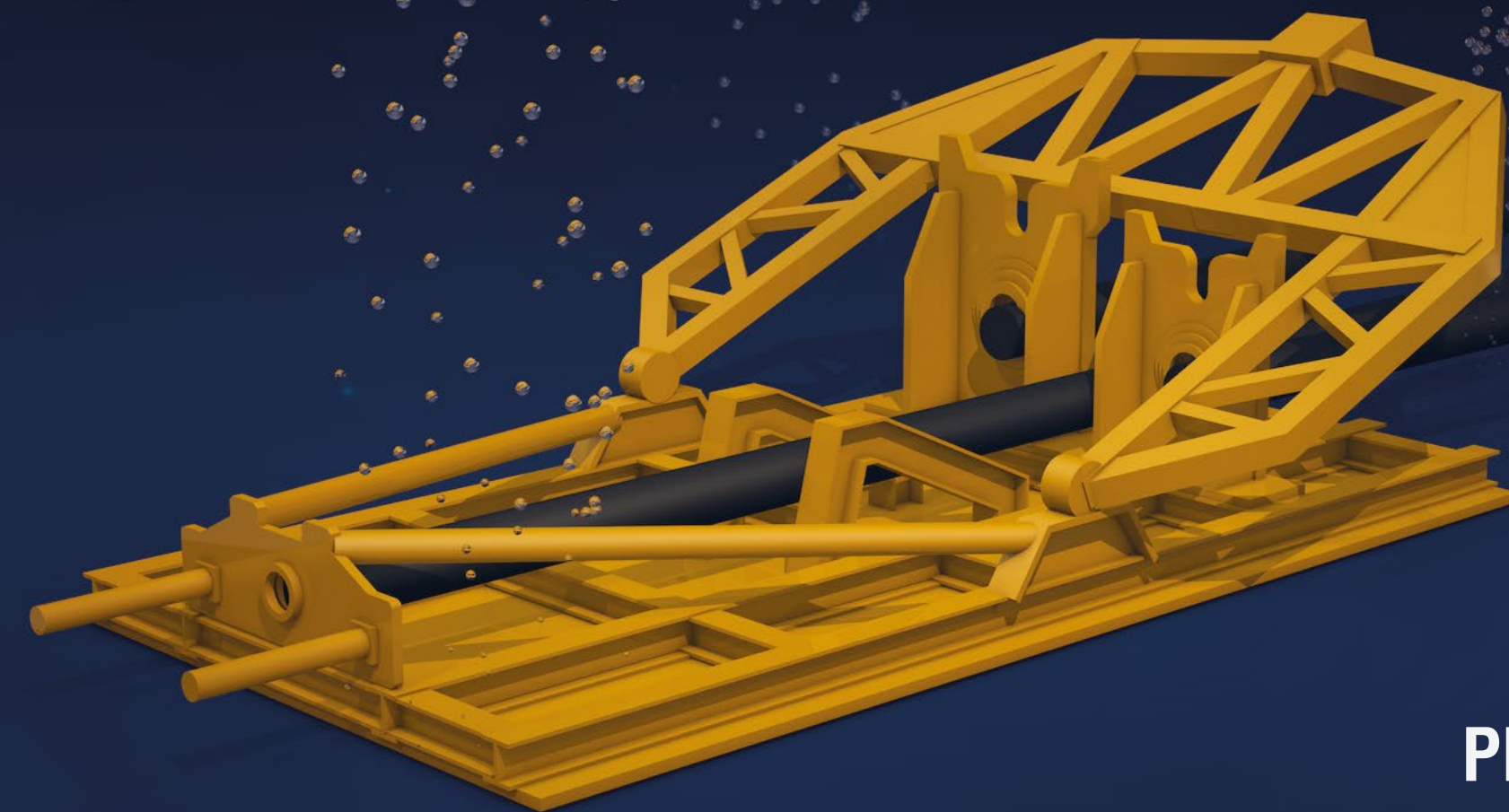


Offshore and Subsea Sector

PLET



PLEM

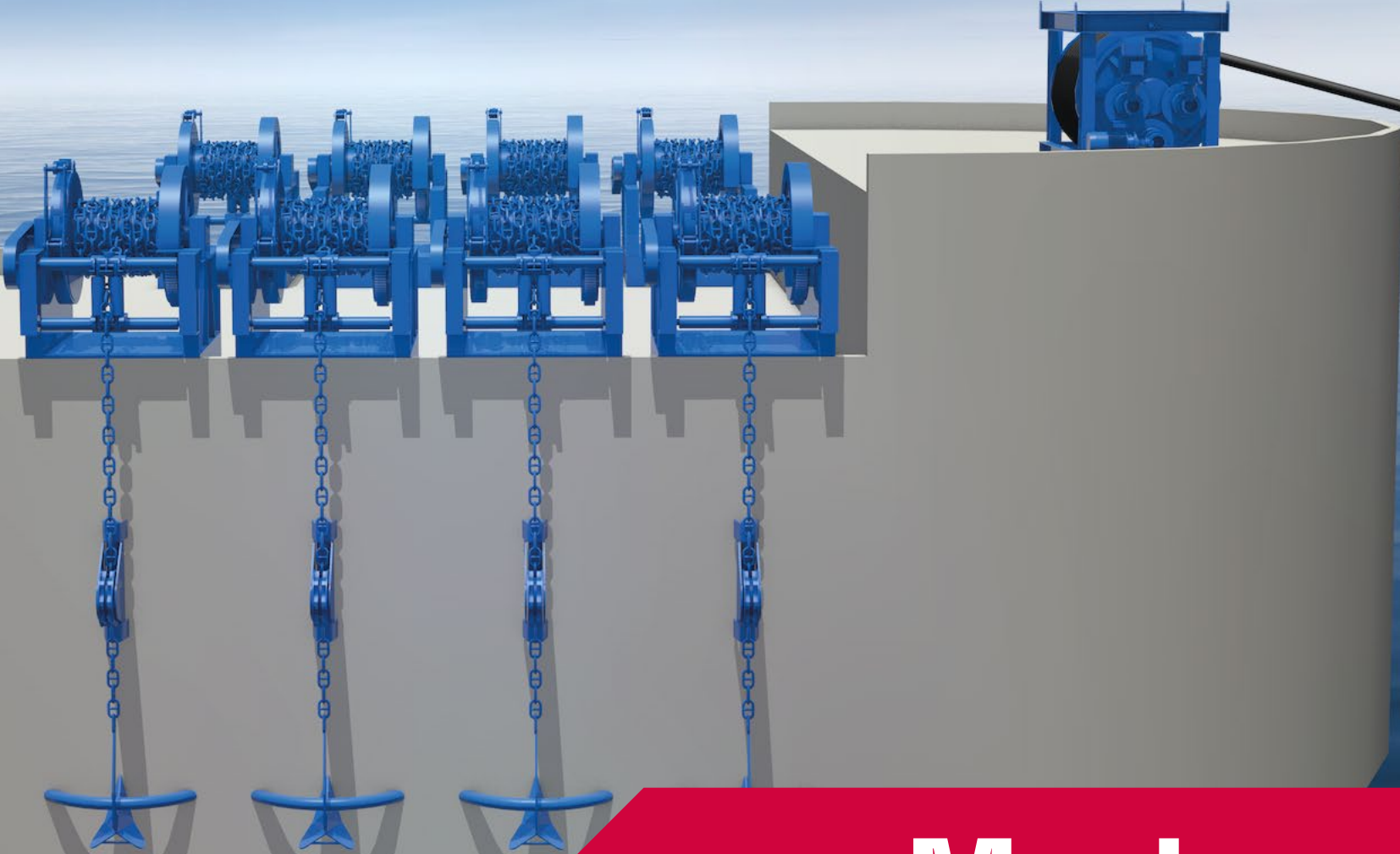


Marine Applications

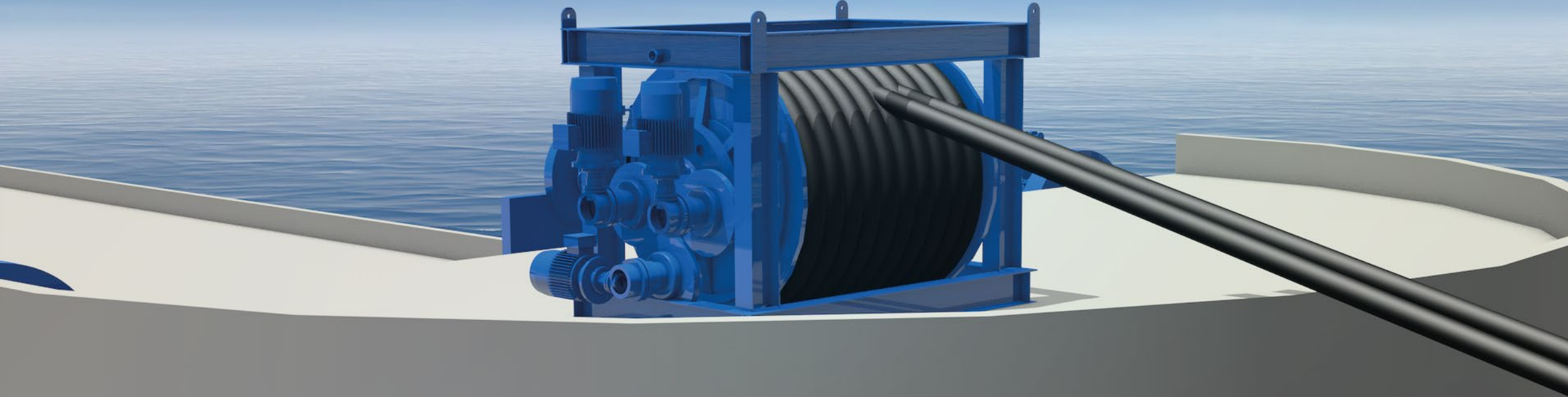


We are keen on supplying special parts and outfits for offshore and production vessels. Components requiring a sharp look and special attention are smoothly built at our site.

Fairleads and anchoring systems



Streamer winches



Marine Applications

A-frames



Offshore crane components



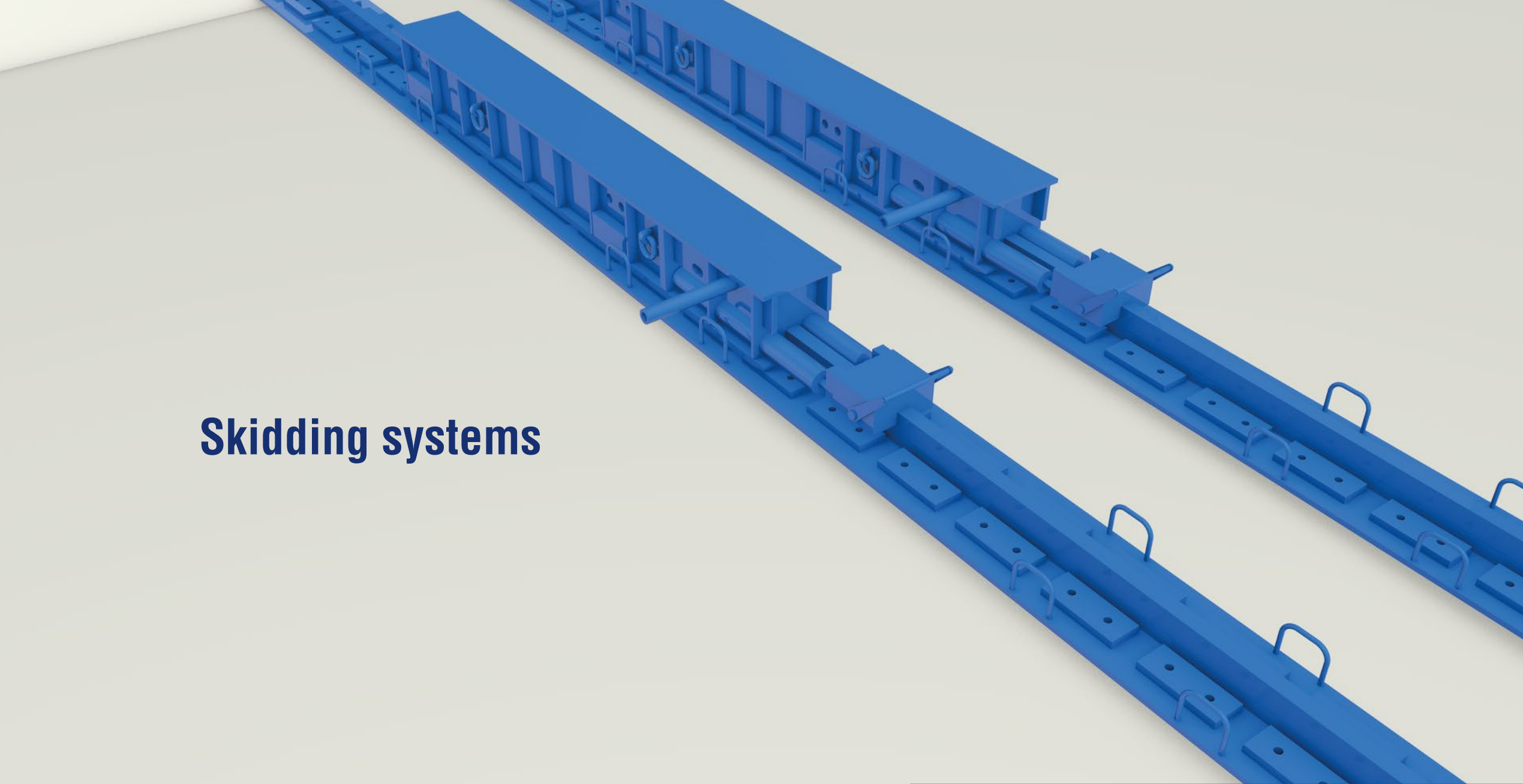
The Industrial Sector



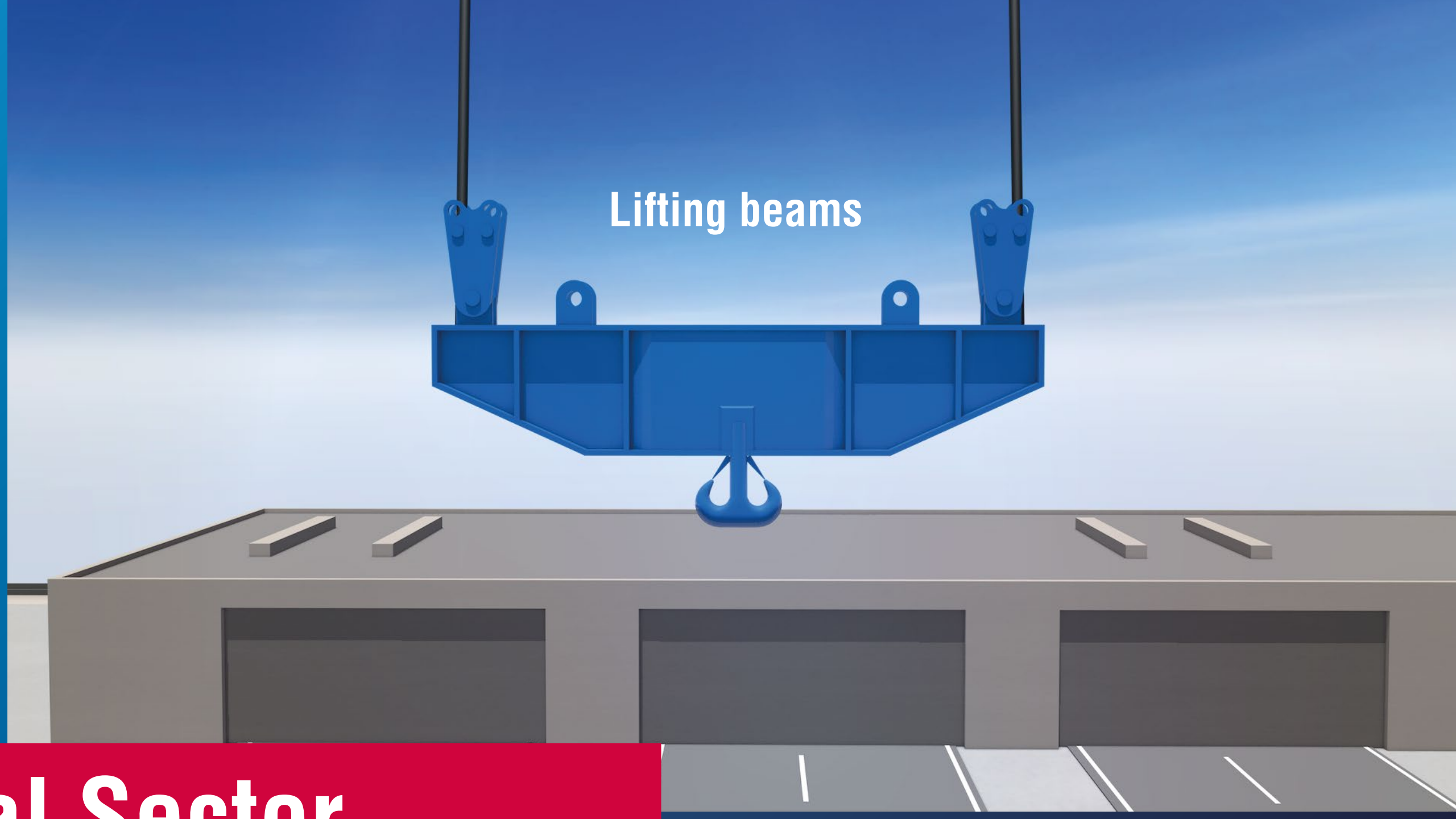
Success here relies on our capacity to build large, heavy, complicated structures.

Versatility and multitasking are parts of the strategic focus that enables us to work successfully in many different areas.

Skidding systems



Lifting beams



Industrial Sector

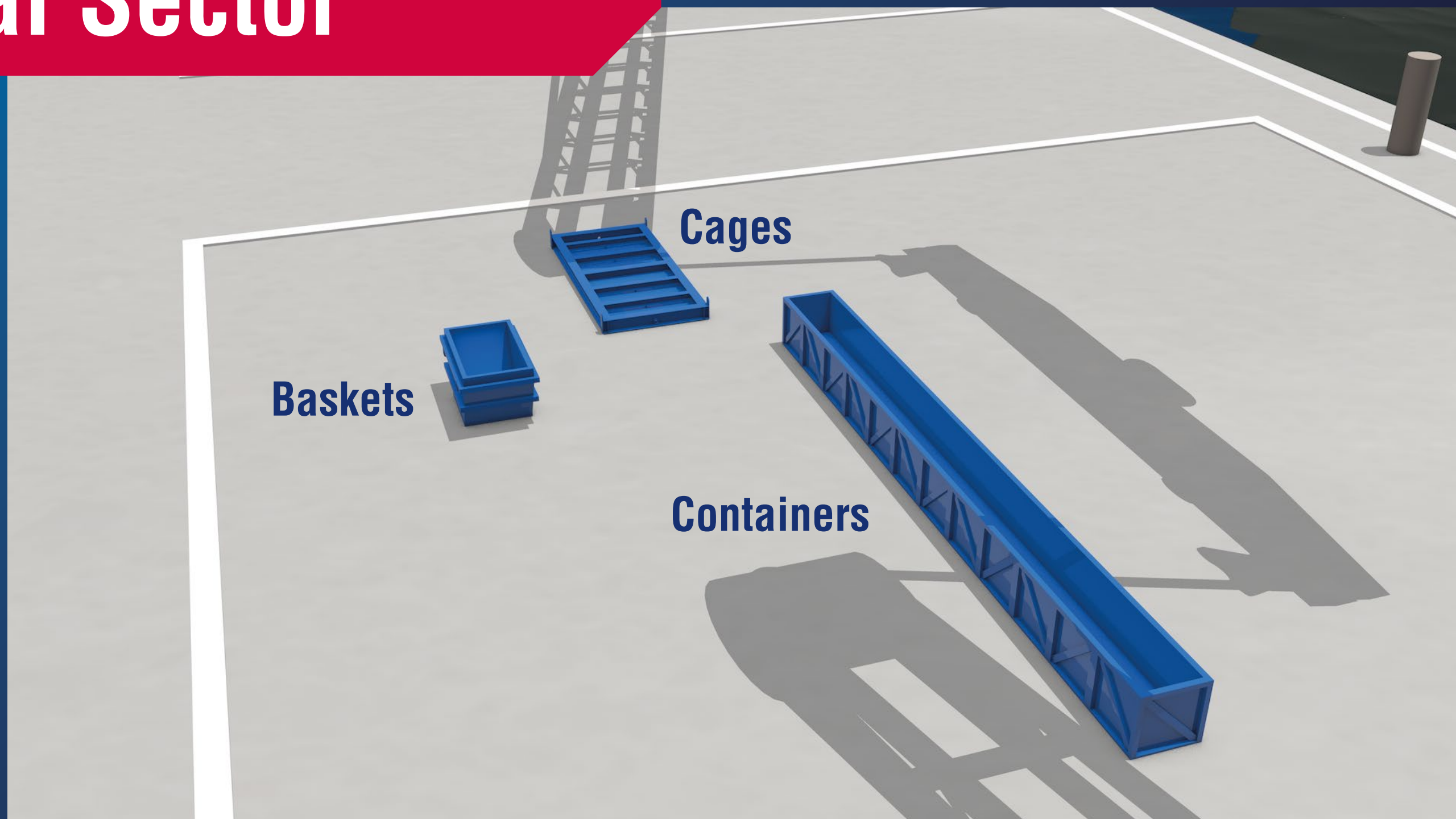
Pedestrian and car bridges



Baskets

Cages

Containers





**WESTERN
CONSTRUCTIONS**
BLRT GRUPP

Special Projects

Offloading Systems

Western Constructions successfully completed a turn-key project for eight shipsets – the largest ever project of its kind, weighing a total of more than 2000 tons. Testing and delivery followed expert machining, mechanical assembly, electrical installation, hydraulics and other works.





Turntables

We built, tested and installed a 2000 ton capacity offshore turntable on a special barge. The complex turn-key project, including rebuild of the barge, complete production of turntable, lifting operations, and full testing of functionality, left the customer fully satisfied.





Reels



We have over 10 years of continuous experience in manufacturing reels. Each year we produce more than 200 units, ranging in diameter from 3 to 14 meters and weighing up to 100 tons.





Western Constructions annually produces more than 8000 tons of steel constructions.

And it delivers them to customers by road, rail and sea. Destinations include Scandinavia, the U.K., the Mediterranean, the United States, Brazil and other places all around the world.



CERTIFICATE OF APPROVAL

This is to certify that the Management System of:

**UAB Vakarų konstrukcijos
(Western Constructions)
Minijos str. 180, LT-93269, Klaipėda, Lithuania**

has been approved by Lloyd's Register Quality Assurance to the following Management System Standards:

ISO 9001:2008 ISO 14001:2004 OHSAS 18001:2007

The scope of this approval is applicable to:

Manufacture of metal constructions for industrial and marine/ship installations.

This certificate forms part of the approval identified by certificate number LTQ0006046/Q/E/O

Approval Certificate No: LTQ0006046/22	Original ISO 9001 Approval: 07 May 1999
	Original ISO 14001 Approval: 01 June 2005
	Original OHSAS 18001 Approval: 27 October 2010
	Current Certificate: 01 June 2014
	Certificate Expiry: 31 May 2017

Issued by: Lloyd's Register EMEA Eesti filiaal
For and on behalf of: Lloyd's Register Quality Assurance Limited



Lauteri 5, 10114 Tallinn, Estonia
For and on behalf of: Hiramford Middlemarch Office Village Siskin Drive Coventry CV3 4FJ United Kingdom

Lloyd's Register Group Limited, its affiliates and subsidiaries, including Lloyd's Register Quality Assurance Limited (LRQA), and their respective officers, employees or agents are, individually and collectively, referred to in this clause as 'Lloyd's Register'. Lloyd's Register assumes no responsibility and shall not be liable to any person for any loss, damage or expense caused by reliance on the information or advice in this document or howsoever provided, unless that person has signed a contract with the relevant Lloyd's Register entity for the provision of this information or advice and in that case any responsibility or liability is exclusively on the terms and conditions set out in that contract.

Company Certificates



Our Location



**WESTERN
CONSTRUCTIONS**
BLRT GRUPP

Western Constructions

Minijos str. 180, LT-93269 Klaipeda, Lithuania

Phone +370 46 483805
Fax +370 46 483651
E-mail mkg@wsy.lt
Website www.wsy.lt/wco

