



Seeing beyond

ZEISS Metrology Expert Tip



**Configure the ZEISS Multi Sensor Rack 2.0
individually for your application**

probes.zeiss.com

ZEISS Sensor Racks Increase the Efficiency of the Measurement Machine

ZEISS Multi Sensor Racks are used to store different stylus systems and sensors when they are not in active use. Use the sensor racks for greater machine efficiency, as your coordinate measuring machine can be programmed to change systems automatically when measuring.

ZEISS Multi Sensor Rack 2.0 – Entry Level Model

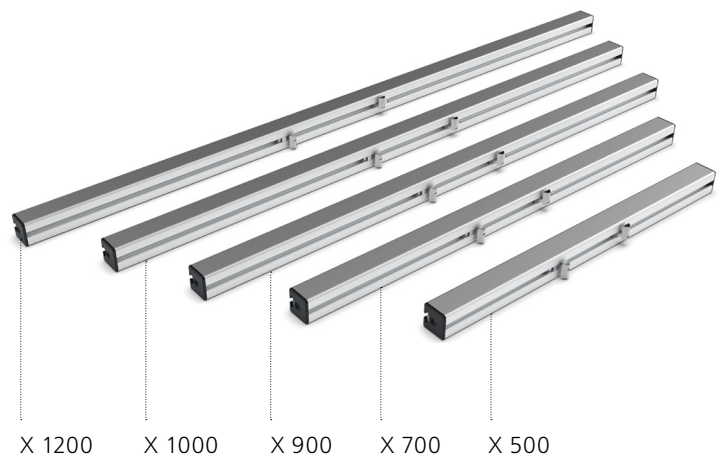
The ZEISS Multi Sensor Rack 2.0 is the modular entry level model that is adapted to the design of ZEISS Coordinate Measuring Machines. Thanks to the modular design, the sensor rack can be individually adapted to your application. Up to 20 stylus systems can be accommodated in the largest version.



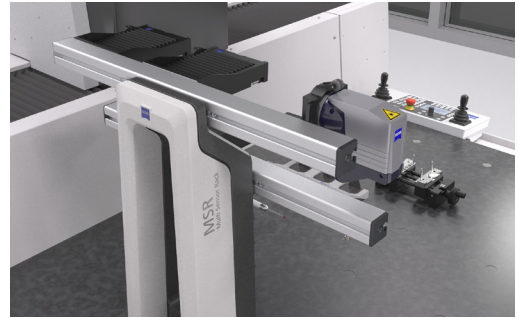
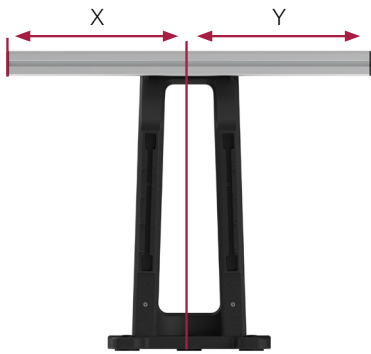
Two different sizes of racks (Z-pillar):



Five different sizes of storage bars (X-pillar):



Positioning of the storage bars:



Stops built into the column help you to align the storage bars correctly. Always observe the maximum permissible angle tolerance. It is also important that the shelf strip is evenly loaded by the weight. Observe these points to ensure long-lasting function.



Grooves in the cover caps allow a magazine slot to be retrofitted without having to remove the cap. This means that a new magazine slot can simply be inserted into the side of the device.



Before adding a new storage bar, it is advisable to check the available space on the sensor rack to avoid possible collisions between the probes and sensors in use.

**ZEISS Original Accessories
are available in the
ZEISS Metrology Shop.**

Carl Zeiss

Industrielle Messtechnik GmbH

Carl Zeiss Straße 22

73446 Oberkochen / Germany

Email: accessories.metrology.global@zeiss.com

Internet: probes.zeiss.com

