

# Professional micrometer

# S\_Mike PRO

## DESCRIPTION

CYLINDRICAL Ø6.5

- Automatic wake-up by moving the measuring spindle (system S.I.S)
- Sleeping mode after 20 min. of no use (system S.I.S)
- Position memorized in sleeping mode (system S.I.S), **absolute system\***
- Water protected for heavy-duty work with coolants and lubricants, protection rating IP67 according to IEC 60529, **even connected**
- Measuring range 0-161 mm **covered with 5 instruments only**
- Set of 3 micrometers 0-102 mm available
- Quick displacement of the measuring spindle 12 mm / rotation
- Adjustable measuring force 5N / 10N (versions 903.030X)
- Repeatability and reproducibility never reached before
- Thimble in polyacetal-copolymer

Measuring surface  
in hard metal

Non-rotating spindle Ø 6.5 mm

Fast handle movement  
with ratchet



S\_connect proximity

Simple and friendly  
functions

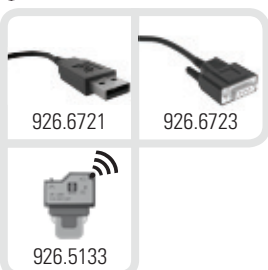
**SWISS  
MADE**

**SIS** Smart  
Inductive  
System

**WATER RESISTANT**

**IP67**

**PROXIMITY**



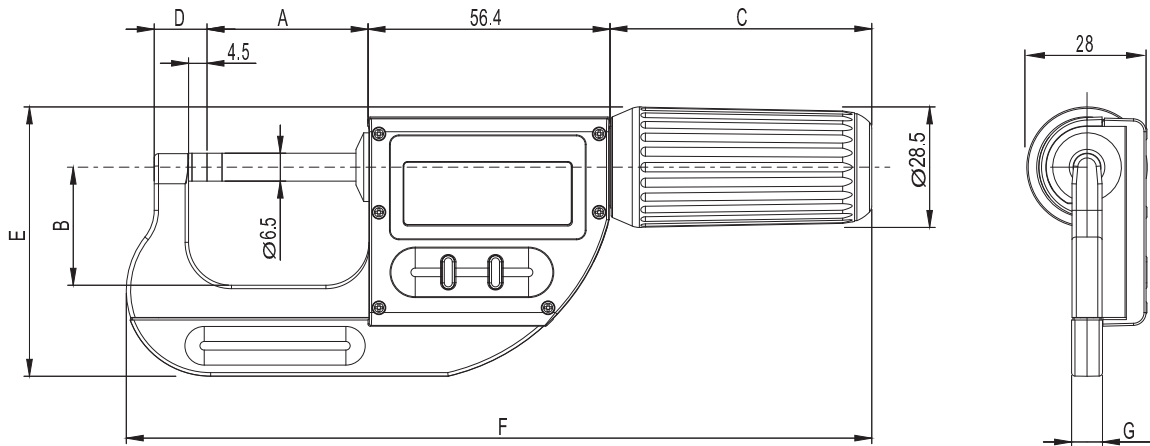
\* SIS description on page 5

# Professional micrometer

# S\_Mike PRO

## DIMENSIONAL DRAWING

## CYLINDRICAL Ø6.5



## TECHNICAL SPECIFICATIONS

		903.0300	903.0600	903.1000	903.1360	903.1600
Measuring range	mm	0-30	30-66	66-102	100-136	125-161
Max. Error G <sup>1)</sup>	µm	3	4	5	7	8
Repeatability <sup>2)</sup>	µm	1	1	1	2	2
Anvils types		Ø6.5				
A	mm	37.3	73.3	109.3	143.3	168.3
B	mm	27.5	43	60	95	110
C	mm	62	74	74	74	74
D	mm	12.5	13.5	14.5	19.5	19.5
E	mm	63	86	106	151	169
F	mm	174	230	269	306	339
G	mm	7.2	9	9	9	9
S_Connect : Proximity		USB / RS 232 / Wireless <sup>3)</sup>				
Prot. rating accor. to IEC 60529		IP67 even connected				
Setting by PC		●				
Adjustable measuring force		5N / 10N		10N		
Non-rotating spindle		●				
Fast movement		●				
Preset function		●				
Smart Inductive Sensor		●				

<sup>1)</sup> according to DIN 863

<sup>2)</sup> ± 1 digit

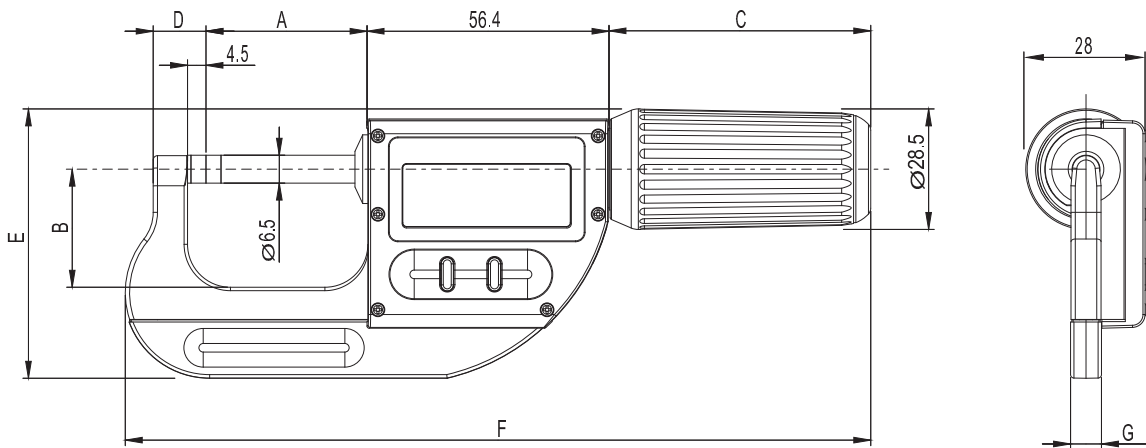
<sup>3)</sup> see cables chapter

# Professional micrometer

# S\_Mike PRO

## DIMENSIONAL DRAWING

## CYLINDRICAL Ø6.5 BLUETOOTH®



## TECHNICAL SPECIFICATIONS

		903.0306	903.0606	903.1006
Measuring range	mm	0-30	30-66	66-102
Max. Error G <sup>1)</sup>	µm	3	4	5
Repeatability <sup>2)</sup>	µm	1	1	1
Anvils types		Ø6.5		
A	mm	37.3	73.3	109.3
B	mm	27.5	43	60
C	mm	62	74	74
D	mm	12.5	13.5	14.5
E	mm	63	86	106
F	mm	174	230	269
G	mm	7.2	9	9
S_Connect		Built-in BLUETOOTH® Smart*		
Prot. rating accor. to IEC 60529		IP67 even connected		
Setting by PC		●		
Adjustable measuring force		5N / 10N	10N	
Non-rotating spindle		●		
Fast movement		●		
Preset function		●		
Smart Inductive Sensor		●		

<sup>1)</sup> according to DIN 863

<sup>2)</sup> ± 1 digit

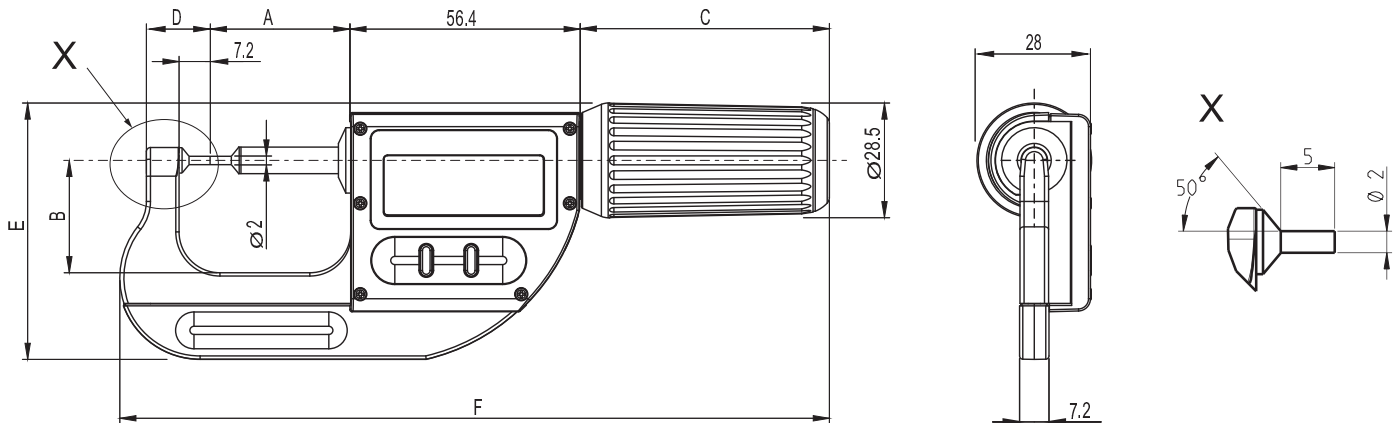
\* Up to 8 instruments connected per dongle #981.7100  
More informations on How to use Bluetooth® leaflet SYL\_1401\_EN\_BT

# Professional micrometer

# S\_Mike PRO

## DIMENSIONAL DRAWING

## CYLINDRICAL Ø2



## TECHNICAL SPECIFICATIONS

		903.0301	903.0601	903.1001
Measuring range	mm	0-25	25-60	60-95
Max. Error G <sup>1)</sup>	µm	3	4	5
Repeatability <sup>2)</sup>	µm	1	1	1
Anvils types		Ø2		
A	mm	34.6	70.6	106.6
B	mm	27.5	43	60
C	mm	62	74	74
D	mm	15.2	16.2	17.2
E	mm	63	86	106
F	mm	174	230	269
S_Connect : Proximity		USB / RS 232 / Wireless <sup>3)</sup>		
Prot. rating accor. to IEC 60529		IP67 even connected		
Setting by PC		●		
Adjustable measuring force		5N / 10N	10N	
Non-rotating spindle		●		
Fast movement		●		
Preset function		●		
Smart Inductive Sensor		●		

<sup>1)</sup> according to DIN 863

<sup>2)</sup> ± 1 digit

<sup>3)</sup> see cables chapter

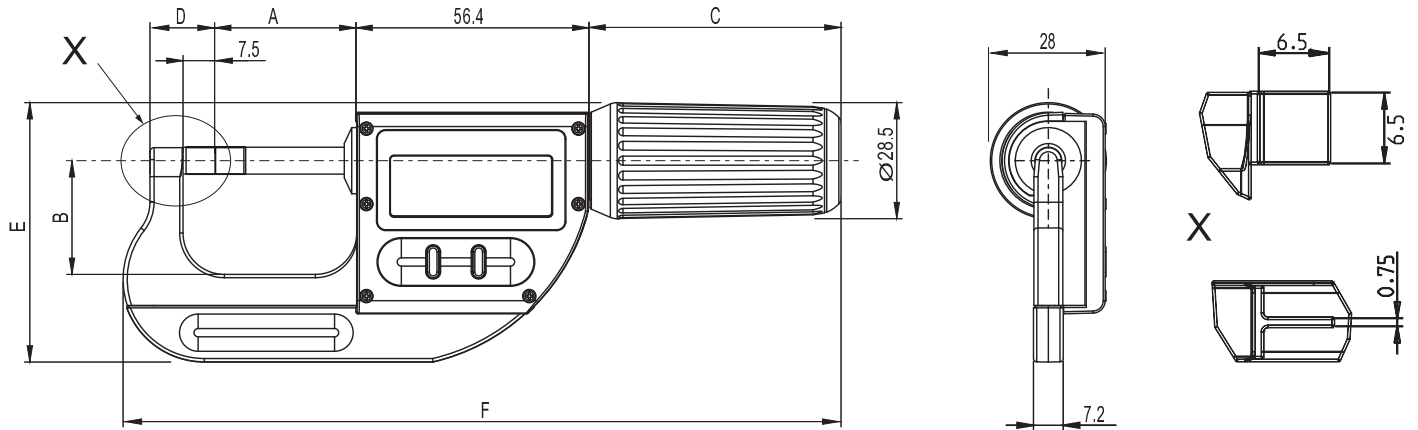
# Professional micrometer

# S\_Mike PRO

## DIMENSIONAL DRAWING

## KNIFE-SHAPED

Measuring surface  
in hard metal



## TECHNICAL SPECIFICATIONS

		903.0302	903.0602	903.1002	903.1302	903.1602
Measuring range	mm	0-25	25-60	60-95	95-120	120-145
Max. Error G <sup>1)</sup>	µm	3	4	5	6	7
Repeatability <sup>2)</sup>	µm	1	1	1	2	2
Anvils types		0.75x6.5				
A	mm	34.3	70.3	106.3	140.3	165.3
B	mm	27.5	43	60	95	110
C	mm	62	74	74	74	74
D	mm	15.5	16.5	17.5	22.5	22.5
E	mm	63	86	106	151	169
F	mm	174	230	269	306	339
S_Connect : Proximity		USB / RS 232 / Wireless <sup>3)</sup>				
Prot. rating accor. to IEC 60529		IP67 even connected				
Setting by PC		●				
Adjustable measuring force		5N / 10N		10N		
Non-rotating spindle		●				
Fast movement		●				
Preset function		●				
Smart Inductive Sensor		●				

<sup>1)</sup> according to DIN 863

<sup>2)</sup> ± 1 digit

<sup>3)</sup> see cables chapter