



HiFlux Filtration A/S

# Professional SELF-CLEANING Filter solutions

Auto-line© Self-cleaning filters  
LR, L & LE



# Auto-line© Automatic Filters

HiFlux Auto-line filters are designed as compact self-cleaning automatic filters with a wide range of applications. The sturdy construction of the filter makes it well suited for industrial and hygienic applications in which operational reliability and dependability are essential.

The Auto-line filter is used in many sectors such as paint, cooling water, energy, waste water, dairy, chocolate, thickeners, beverage, oil and fats, chemical, sugar, paper industry and CIP liquids.

The Auto-line filter is used when an automatic continuous cleaning process is required. The impurities are being concentrated in the filter, until it is drained away, while the filter is still in operation the liquid loss due to cleaning is minimal.

The Auto-line LR filters are also available as R-E versions, where the scraping process is driven by a gear-motor or as the R-P version, where the scraping process is driven by a pneumatic actuator. The LE filter has an extended pneumatic cylinder, so that cross contamination between the liquid to be filtered and the pneumatic system is avoided.

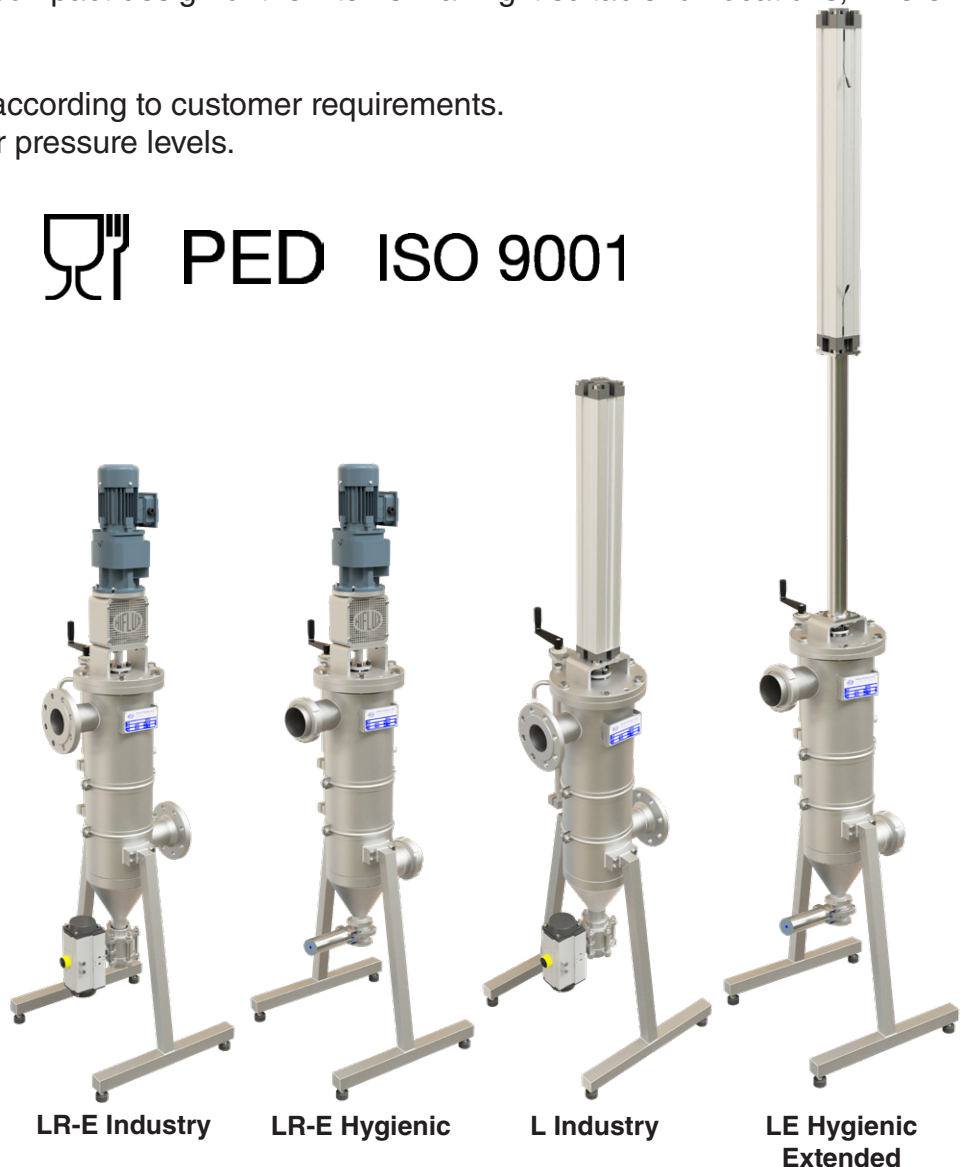
In the design of the filter it was very important to make the construction robust and reliable. By limiting the number of moving components, wear and maintenance requirements are minimized. The simple construction makes the filter very easy to service, since there is no need for external service assistance or special tools. Furthermore, the compact design of the filter is making it suitable for locations, where the height is a limitation.

Special versions can be supplied according to customer requirements. Typically other temperature and/ or pressure levels.

CE ATEX   PED ISO 9001

**Capacity:** 20 - 66 m<sup>3</sup>/h  
**Filtration:** 30 - 2000 µm  
**Pressure:** 16 bar

- **Removes unwanted particles**  
High operational reliability
- **Continuous flow process**  
Self-cleaning application
- **Ensures the quality**  
Food safety at the customers
- **Eliminates downtime**  
Optimizing earnings
- **Savings on runnings costs**  
Purchase and exchanging filter bags is no longer needed



# Auto-line© Automatic Filters - LR-E

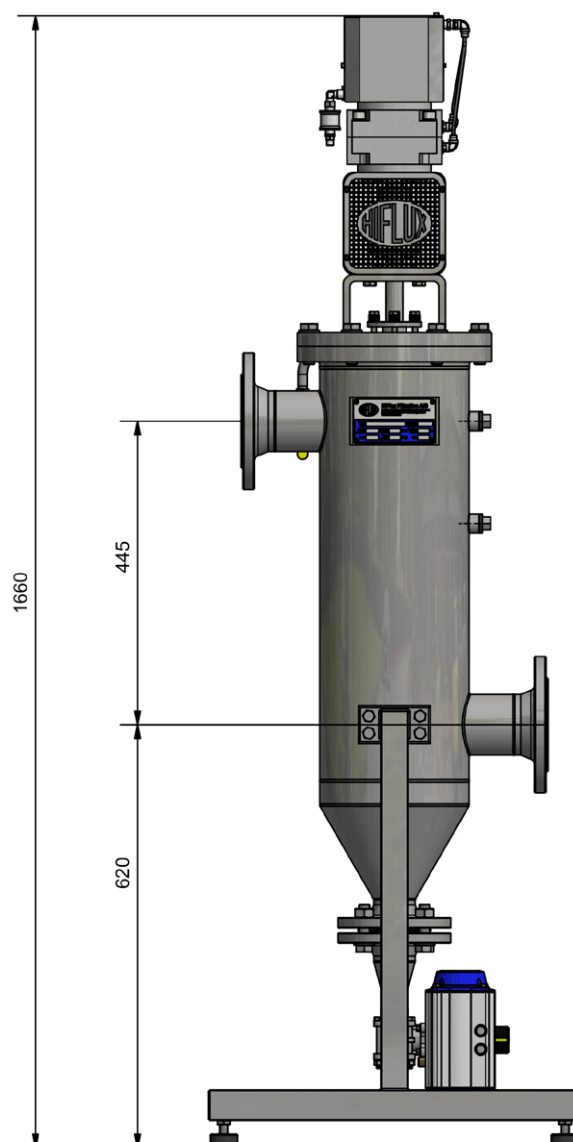
## Product specifications

HiFlux Auto-line filters are manufactured of stainless acid-resistant steel. The filter meets current standards and norms for pressure vessels, complies with the Machinery directive and can be CE labelled.

The filter is available ready for installation, complete with electronic controller and automatic drainvalve. In addition, the filter is available with or without pneumatic controller.

<b>Filter vessel and element</b>	EN 1.4404 steel
<b>Design pressure</b>	16 bar
<b>Test pressure</b>	According to EN 13445
<b>Max differential pressure:</b>	3-7 bar
<b>Max working temperature:</b>	150°C (Fluid grp. 2 and steam pre. < 0,5 bar)
<b>Volume:</b>	27,0 liters
<b>Weight:</b>	85 kg
<b>Power supply (for R-E version):</b>	3 x 230/400V, 50 Hz
<b>Air supply (for R-P version):</b>	5-7 bar, filtered
<b>Flange connection:</b>	DN80 EN1092-1/11
<b>Drain:</b>	Nipple RP2 or DN50 PN16 EN1092-1/11 *
<b>Drain chamber volume:</b>	2,1 litres
<b>Filtration:</b>	30-50-100-150-200-300-500-1000 micron

\*Customized solutions can be manufactured upon request.



## Capacity (at a viscosity of 1 cSt and as a pressure filter)

Diff. pressure	Strainer area cm <sup>2</sup>	30*	50*	100*	150*	200*	300*	500*	1000*
0,05	2.175	20	22	36	39	39	39	39	39
0,10	2.175	29	33	48	48	48	48	48	48
0,15	2.175	34	40	55	58	58	60	60	60
0,20	2.175	37	45	63	66	66	66	66	66

\*) Capacity in different filtration rates m<sup>3</sup>/ h/ μm

The filter should only be installed as a pressure filter in systems which have a positive overpressure (the surroundings must be taken into consideration).

All Auto-line filters are standardly produced according to the pressure equipment directive 2014/68/EU article 4, section 3. The filters can be delivered with approval according to category I, II, III or IV. The Auto-line filters complies with the Machinery directive 2006/42/EC. Auto-line filters can be delivered with approval for use in explosive atmospheres (Equipment-category 2, zone 1) according to directive 2014/34/EU.

# Auto-line© Automatic Filters - L & LE

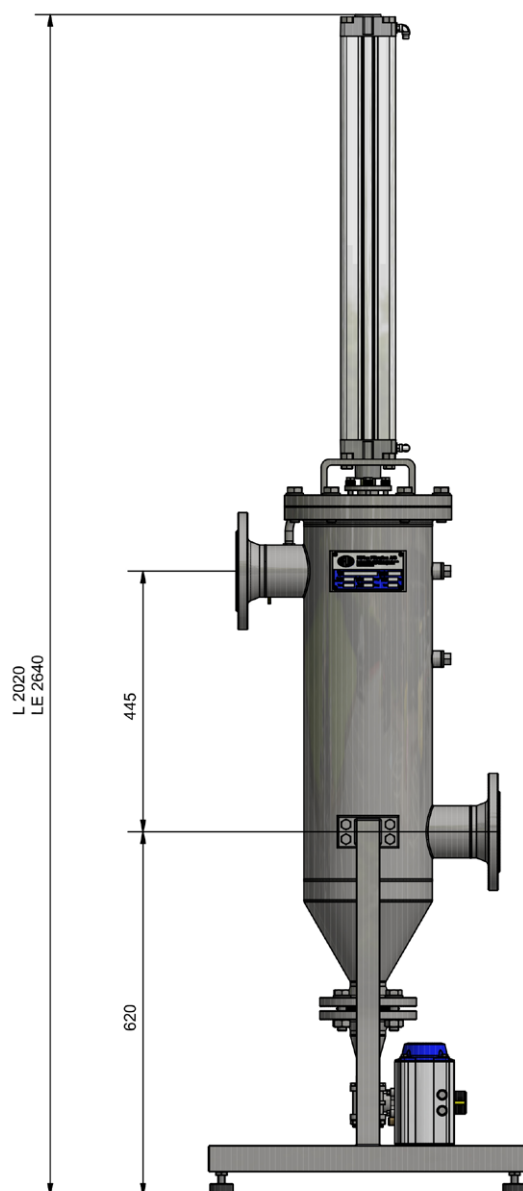
## Product specifications

HiFlux Auto-line filters are manufactured of stainless acid-resistant steel. The filter meets current standards and norms for pressure vessels, complies with the Machinery directive and can be CE labelled.

The filter is available ready for installation, complete with electronic controller and automatic drainvalve. In addition, the filter is available with or without pneumatic controller.

<b>Filter vessel and element</b>	EN 1.4404 steel
<b>Design pressure</b>	16 bar
<b>Test pressure</b>	According to EN 13445
<b>Max differential pressure:</b>	3-7 bar
<b>Max working temperature:</b>	150°C (Fluid grp. 2 and steam pre. < 0,5 bar)
<b>Volume:</b>	27,0 liters
<b>Weight:</b>	85 kg
<b>Power supply</b>	240 VAC/50 Hz
<b>Air supply</b>	5-7 bar, filtered
<b>Flange connection:</b>	DN80 EN1092-1/11
<b>Drain:</b>	Nipple RP2 or DN50 PN16 EN1092-1/11 *
<b>Drain chamber volume:</b>	2,1 litres
<b>Filtration:</b>	30-50-100-150-200-300-500-1000 micron

\*Customized solutions can be manufactured upon request.



## Capacity (at a viscosity of 1 cSt and as a pressure filter)

Diff. pressure	Strainer area cm <sup>2</sup>	30*	50*	100*	150*	200*	300*	500*	1000*
0,05	2.175	20	22	36	39	39	39	39	39
0,10	2.175	29	33	48	48	48	48	48	48
0,15	2.175	34	40	55	58	60	60	60	60
0,20	2.175	37	45	63	66	66	66	66	66

\*) Capacity in different filtration rates m<sup>3</sup>/ h/ μm

The filter should only be installed as a pressure filter in systems which have a positive overpressure (the surroundings must be taken into consideration).

All Auto-line filters are standardly produced according to the pressure equipment directive 2014/68/EU article 4, section 3. The filters can be delivered with approval according to category I, II, III or IV. The Auto-line filters complies with the Machinery directive 2006/42/EC. Auto-line filters can be delivered with approval for use in explosive atmospheres (Equipment-category 2, zone 1) according to directive 2014/34/EU.