

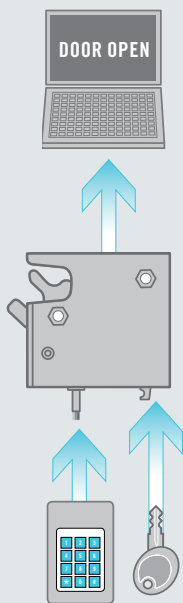
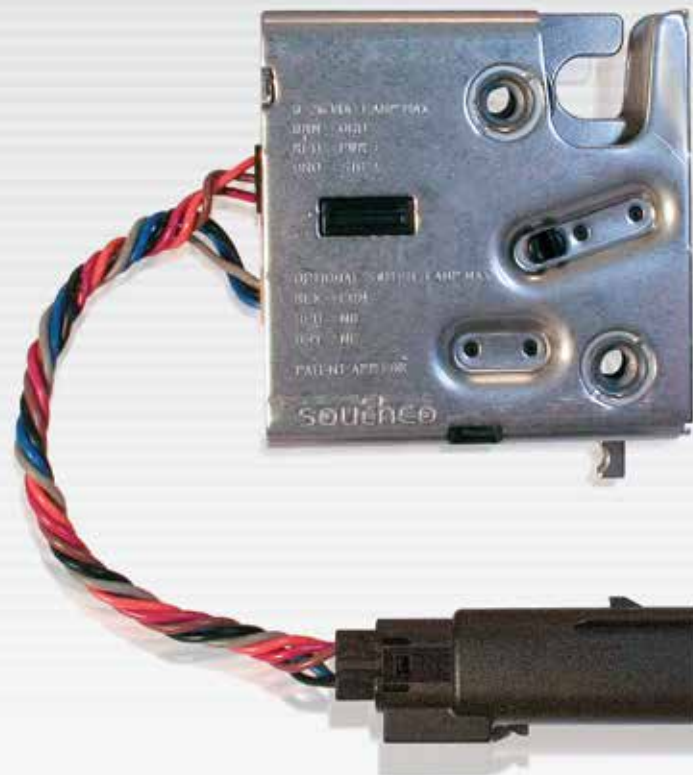


R4-EM Outdoor Electronic Rotary Latch

Electronic access

- Push-to-close, electronic release
- Versatile rotary mechanism
- Motor actuator sealed against water and dust ingress to IP56
- High strength plated-steel and stainless steel options
- Concealed latching
- Microprocessor control
- Delayed re-lock functionality
- Minimal power draw
- Optional internal micro-switch for latch status
- Simple mechanical over-ride

The R4-EM Electronic Rotary Latch with sealed actuator and plated-steel or stainless steel outer body construction provides a versatile electromechanical latch solution for outdoor and corrosive environments. Add a 12-24 Volt DC power supply and any access control device for a secure, concealed electronic access solution. The internal micro-switch options provide an output signal to remotely monitor latch status and control external systems.



Other options available. For complete details on variety, part numbers, installation and specification, go to

INFO CLIC www.southco.com/R4-EM

Dimensions in millimetres unless otherwise stated

southco
CONNECT · CREATE · INNOVATE



R4-EM Outdoor Electronic Rotary Latch

Electronic access

Material & Finish

Mechanism

Housing, Cam, Trigger, Pins: Zinc Nickel plated steel or stainless steel
 Springs: 300 Series stainless steel
 Electronic Actuator
 Housing: PC/ABS
 Bellows, Wire Seal: Silicone
 Perimeter Seal: Buna
 Cams: Acetal
 Grommet: Santoprene

Electrical Specifications

Recommended Operating Voltage:
 12 to 24 Volt DC
 Typical Operating Current (average at no load): Less than 600mA at 12 VDC
 Input Signal Current Draw: 25mA MAX at 24 VDC
 Micro-switch Rating: 3A MAX at 12VDC

Wire Color Code / Connector Pin Assignment:

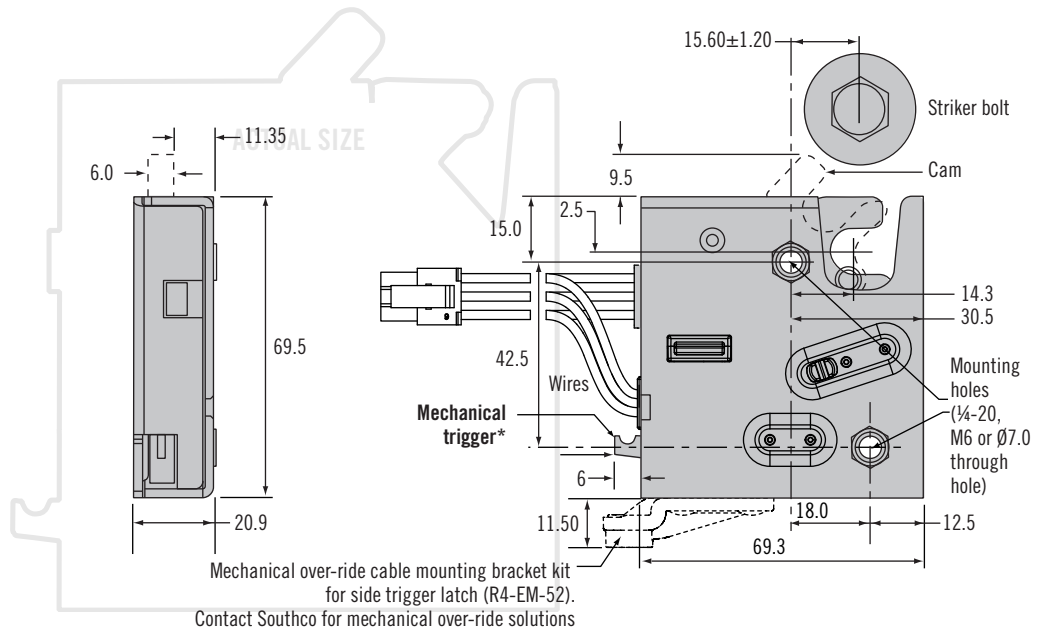
PIN 1: Brown: Ground (-)
 PIN 2: Red: Power 12 to 24 Volts DC
 PIN 3: Orange: Control Signal 12 to 24 Volts DC
 PIN 4 Black: Microswitch Common
 PIN 5 Blue: Microswitch N.O.
 Contact
 PIN 6 Grey: Microswitch N.C. Contact

Contact Southco for mate connector and wire harness options

Notes

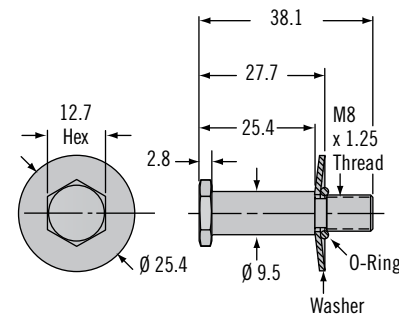
For mechanical release actuators and cables contact Southco

Side trigger Version

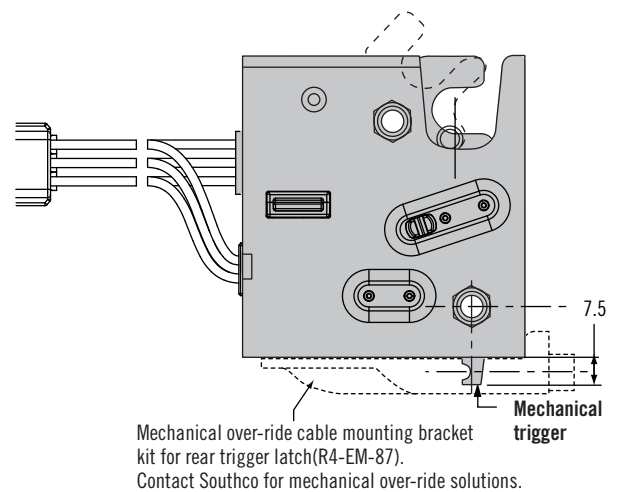


Striker Bolt

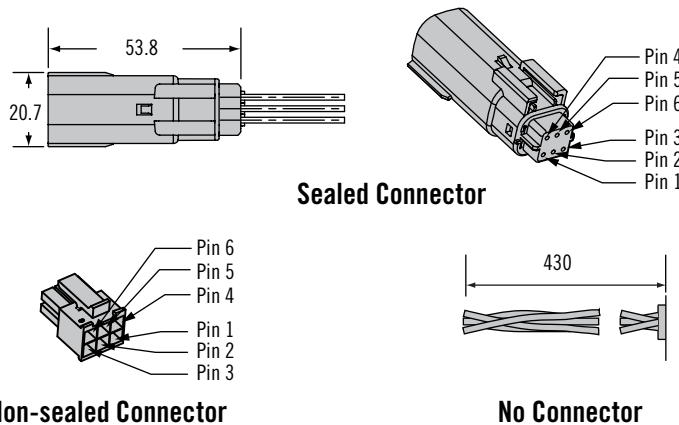
(Order Separately)
 R4-90-121-10



Rear trigger Version



Connector Options



Other options available. For complete details on variety, part numbers, installation and specification, go to



www.southco.com/R4-EM

Dimensions in millimetres unless otherwise stated

R4-EM Outdoor Electronic Rotary Latch

Electronic access

Part Number Selection

T Trigger Style

- 7 Delayed Relock, Side Trigger
- R7 Delayed Relock, Rear Trigger

B Base Mounting Style

- 1 1/4-20 Threaded Mounting
- 2 M6 Threaded Mounting
- 3 Thru Hole Mounting

A Alternate Configurations

- None Light Cam Spring
- 2 Strong (Kick Out) Cam Spring

C Connector Options

- 1 Non-sealed Connector
- 2 No Connector (Stripped and Tinned)
- 3 Sealed Connector

P Packaging Options

- None Individually Packaged
- 1 Bulk Packaged

M Material Options

- None Steel, Zinc-Nickel Plated
- B Stainless Steel, Passivated

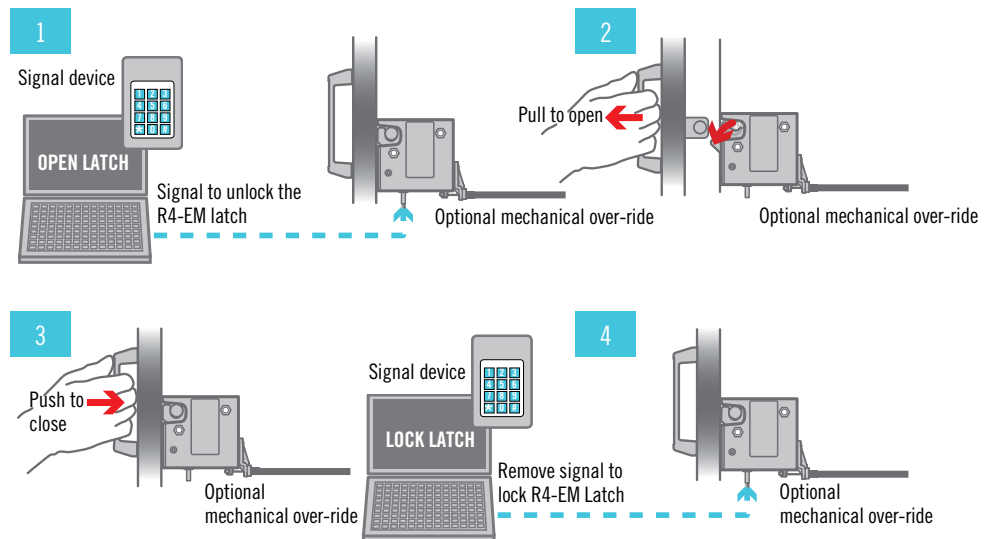
S Switch Options

- 3 No Switch
- 6 Single Switch (Cam Only)

R4-EM - T B A - 1 S C - P M

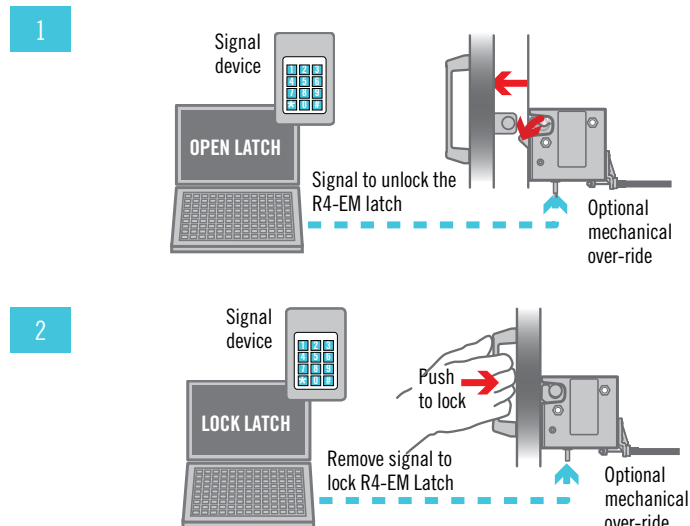
Operation - Light Cam Spring

1. The signal unlocks the R4-EM latch leaving a biased closed door in the closed position. The unlock time is controlled by the access control device.
2. Manually pull door/striker free from R4-EM latch.
3. Manually push door closed. Striker will rotate cam to closed position, however latch will remain unlocked and can be re-opened as long as signal is present.
4. After accessing the door, the signal can be removed to re-lock the R4-EM. This can be done with the door in the open or closed position.



Operation - Strong Cam Spring

1. The signal unlocks the R4-EM latch and releases the spring loaded cam which rotates out to push a lightweight door open. The unlock time is controlled by the access control device.
2. Push door closed to engage striker after unlock time has expired. Striker will rotate cam to closed position.





The proven global leader in engineered access solutions

The advantage of over 65 years of engineered access hardware and fastener experience lies in our cumulative applications knowledge and engineering expertise that make our broad range of existing solutions possible. In addition, our global manufacturing resources benefit OEMs and CEMs worldwide - no matter where they design, assemble, or sell. Southco offers flexibility and fast response:

- **Engineering assistance on your schedule.** Southco engineering resources in three key regions - North America, Europe, and Asia-Pacific - provide easy access to more than 150 design and sales engineers globally.
- **Quick turnaround, on your timetable.** 14 strategically located Southco manufacturing, assembly, and stocking facilities - in 8 countries across 4 continents - shorten lead times, lower shipping costs, and improve scheduling.
- **Extensive capabilities for your benefit.** In-house resources - stamping, die-casting, cold-heading, roll-forming, turning, injection-molding, and assembly - at Southco Centers of Excellence around the world transform raw stock into polished solutions.
- **Personal assistance, as you need it.** The 24/7 availability of experienced Southco personnel - regardless of geographic location - delivers the timely attention you require.

Whatever your access hardware needs, no one offers more. Contact a Southco representative today, to discover all the possibilities.



Global Corporate Headquarters & Customer and Technical Support Center

Concordville, PA • USA
Tel: (1) 610 459 4000
Fax: (1) 610 459 4012

Canada Tel: (1) 905 855 0309
Mexico Tel: (1) 877 821 0666

Manufacturing & Stocking Locations

Chihuahua, Mexico
Concordville, Pennsylvania
Honeoye Falls, New York
Tecate, Mexico
Rockledge, Florida

Europe Customer & Technical Support Center

Worcester • UK
Tel: (44) (0) 1905 346722
Fax: (44) (0) 1905 346723

Austria Tel: 0800 281 831
France Tel: 0800 912 756
Germany Tel: 0800 1800 380
Italy Tel: 800 780 953
Spain Tel: 900 968917
Sweden Tel: 020 790 366
UK & NI Tel: 0845 117 9222

Manufacturing & Stocking Locations

Farnham, UK
Worcester, UK

Asia Customer & Technical Support Center

Hong Kong • China
Tel: (852) 3127 1503 • Fax: (852) 3127 1541

China Tel: 800 820 0272

Japan Tel: 00531 121672

Korea Tel: 0505 777 1234

Malaysia Tel: 1800 801 119

Singapore Tel: 800 18 11016

Taiwan Tel: 0800 558 015

Australia Customer Service and Distribution Center

Tullamarine • Victoria 3043 • Australia
Tel: (61) 03 9330-5000 • Fax: (61) 03 9330 - 5099

India Customer Service and Technical Support Center

Taluka Shirur • Pune 412208 • India
Tel: (91) (21) 3867 0538 • Fax: (91) (21) 3867 0588

Manufacturing & Stocking Locations

Hong Kong, China Shanghai, China
Melbourne, Australia Shenzhen, China
Pune, India Tokyo, Japan
Seoul, South Kor