



## Shop lighting

### LEDSECTION Vero Series

The perfect match for the metal-halide lamp

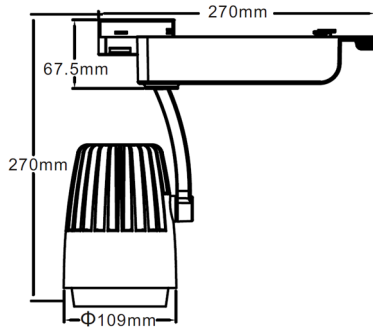
#### Advantages

- Energy savings up to 80 %
- Long lifetime guaranteed 50.000 hours
- Barely measurable IR- and no UV-radiation
- Reduced heat generation provide savings on air conditioners

#### Product details

- Clean Light Technology structure eliminates glare
- Easy installation with included driver
- Full brightness immediately unlike metal-halide lamps
- No mercury or other harmful substances involved

# Datasheet



<b>EQUAL TO</b> 70W HIT-TC metal halide	<b>CONSUMPTION</b> 40W	<b>EFFICIENCY</b> 75 lm/W
<b>AC-NET</b> 230V	<b>IP-CODE</b> IP20	<b>DIMMABLE</b> No

	CW	WW	NW	R	G	B	A
Lumens	N/A	2995	N/A	N/A	N/A	N/A	N/A
Lumens pr. watt	N/A	75	N/A	N/A	N/A	N/A	N/A
Color Temp	N/A	3000	N/A	N/A	N/A	N/A	N/A
CRI	N/A	85	N/A	N/A	N/A	N/A	N/A

Cool White			Warm White			Natural White		
Ft	Lux	fc	Ft	Lux	fc	Ft	Lux	fc
2	TBA	TBA	2	N/A	N/A	2	N/A	N/A
4	TBA	TBA	4	9032	839,1	4	N/A	N/A
6	TBA	TBA	6	2258	209,8	6	N/A	N/A
8	TBA	TBA	8	1104	98,1	8	N/A	N/A

## Track light fixture

Type: Vero-A  
Itemnr.: 4028300016

Vero is a great series of track lights there are able to create the environmentally lighting concept. The fixture is developed to replace reflector based halogen light sources and the metal halide lamp in general spot lighting, including locations like stores and museums. The products are fitted with the most energy efficient COB LED on the market today. The consistency of the LEDs is within 2 SDCMs, more accurate than any other artificial light source on the market. High efficiency reflectors combined with the LED module produce unprecedented output and consistence. The luminaries and driver are guaranteed for 5 years.

### Technical Data

Lumen	2.070lm (30W) or 2.995lm (40W)
Beam Angle	Narrow: 20°, Mid: 40°, Wide: 60°
Colors Available	Warm white, natural white or cold white
Color Temperature	3000K, 4000K or 5000K
Color Rendering	Warm white: CRI85+
Consumption	30W or 40W
Voltage Range	AC90 ~ 120V or AC200 ~ 240V
Efficiency	Warm white: 75 lm/W
Equal To	Metal-halide lamp 40W CRI85 20° = 70W HIT-TC-CE
Lifetime	50.000 hours at Ta = 25°C
Dimmable	No (DALI optional)
IP Code	IP20
Class	2, Double Insulated
Size	L270 x H270 mm
Track	2 or 3 phase tracks
IES File	Yes
Weight	2,07 KG
Housing	White, silver or black

### Shipping

The products are to be delivered in package of 6 pcs.

### Energy savings up to 80%

Metal-halide 70W HIT	➔	Vero-A 40W CRI85
Halogen-lamp 500W QT	➔	Vero-A 40W CRI85

