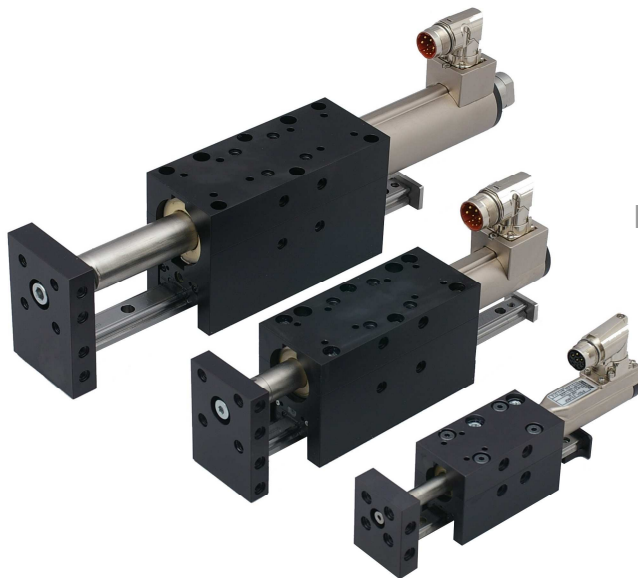
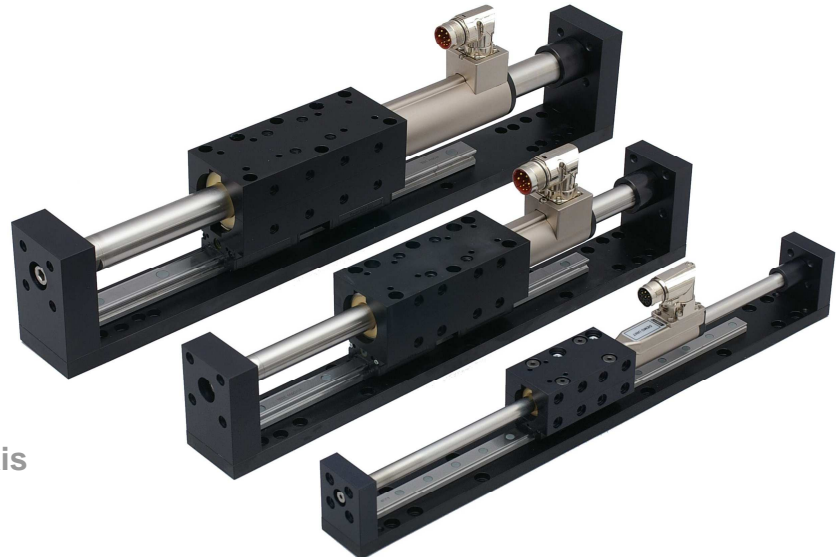


HighDynamic[®]

***Linear modules and linear axis
- the modular construction kit!***



HM01 Linear Modules



HA01 Linear Axis

- ***HighDynamic[®]*** is the synonym for guaranteed mechanical operating data of 5 m/s and 150 m/s²!
- Tubular linear direct drives integrated!

HighDynamic – the modular kit!

Overview and Applications of the *HighDynamic*[®] Units

HighDynamic[®] is a modular mechanical construction kit of high dynamic compact linear guides with integrated tubular linear drives. All *HighDynamic*[®] modules and axis are specified for continuous mechanical operation of 5 m/s and 150 m/s² - which indicate the name *HighDynamic*[®]!

Many years of our experience in direct drive applications and appropriate mechatronics have been building the basis to develop and realize the *HighDynamic*[®] units. Based on the typical construction with only one guide-rail, units combine a lean shape and a very low moving mass. The use of innovative bearing technology allows high torsion rigidity, high peak velocity, very high accelerations, long life time and low cost.

For short stroke applications the linear modules HM01 are an ideal construction element. The linear axis HA01 are being used for long stroke applications.

Appropriate modularity allows the combination of HM01 linear modules and HA01 linear axis to get complete multi axis handling systems.

A number of options complete the program and make the *HighDynamic*[®] product family available for most applications.



Product Overview



Motion Controller

HighDynamic[®] motion controller include static inverter, motion control and machine control interfaces.

The motion controller are able to realize simple point to point applications as well as complex motion profiles. Standard fieldbuses and parallel I/O's easy enable machine builders to integrate *HighDynamic*[®] systems in existing and new machine concepts.

RS 232



CANopen

EtherCAT

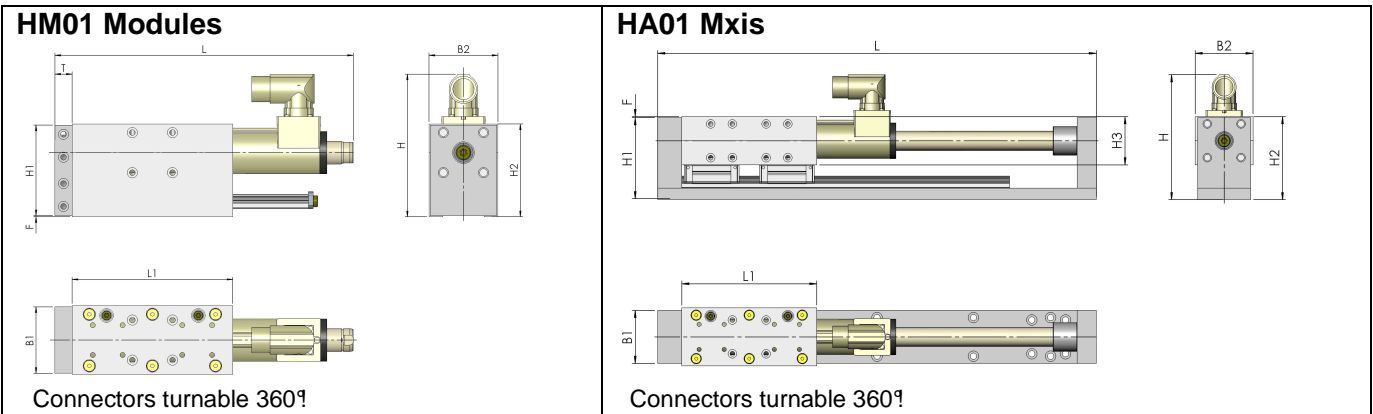
RS 485



ETHERNET POWERLINK

SERCOS interface

Dimensions of the **HighDynamic®** Components



HM01 Modules	L1 [mm]	B2 [mm]	H2 [mm]	T [mm]	B1 [mm]	H1 [mm]	F [mm]	H ¹ [mm]
HM01-23x80	85	44	54	15	42	52	1	90
HM01-23x160	85	44	54	15	42	52	1	90
HM01-37x120	140	60	81	15	58	79	1	125
HM01-37x240	140	60	81	15	58	79	1	125
HM01-48x240	165	70	100	20	68	98	1	150
HM01-48x360	165	70	100	20	68	98	1	150

HA01 Axis	L1 [mm]	B2 [mm]	H2 [mm]	H3 [mm]	B1 [mm]	H1 [mm]	F [mm]	H ¹ [mm]
HA01-23x80	85	44	58	35	42	57	1	94
HA01-37x120	140	60	86	50	55	85	1	130
HA01-48x240	165	70	107	64	65	106	1	156

Strokes and Unit Lengths

HM01 Modules	deliverable stroke [mm]	L [mm]
HM01-23x80	60	209
	160	309
	260	439
HM01-23x160	80	309
	180	439
	280	499
HM01-37x120	40	260
	80	320
	180	415
	280	520
HM01-37x240	80	415
	180	520
	280	620
HM01-48x240	120	437
	210	527
	330	647
HM01-48x360	90	527
	210	647
	300	737

HA01 Axis	deliverable stroke [mm]	L [mm]
HA01-23x80	160	393,5
	230	463,5
	290	523,5
	390	623,5
HA01-37x120	160	455
	260	560
	360	660
	460	760
	560	860
	660	960
	760	1.060
	960	1.260
HA01-48x240	1.160	1.460
	1.360	1.660
	100	485
	190	575
	310	695
	400	785
	490	875
	610	995
	700	1.085
	910	1.295
1.090	1.475	
1.300	1.685	
1.510	1.895	
1.690	2.075	

HighDynamic® absolute max. Ratings	Peak force (depends on controller) [N]	Cont. force nat. convection [N]	Cont. force with forced aircooling [N]	Max. deliverable stroke [mm]	Max. speed [m/s]	Max. acceleration [m/s ²]
HM01 modules						
HM01-23x80	67	15	25	260	5	150
HM01-23x160	137	31	48	280	5	150
HM01-37x120	255	51	92	280	5	150
HM01-37x240	504	85	160	280	5	150
HM01-48x240	585	145	258	330	5	150
HM01-48x360	1.024	203	354	300	5	150
HA01 axis						
HA01-23x80	67	15	25	390	5	150
HA01-37x120	255	51	92	1.360	5	150
HA01-48x240	585	145	258	1.690	5	150

**Lineare direct drives and
mechatronic solutions
from a single source!**



Available HighDynamic® options

A number of options complete the program and make the product family available for most applications.

- brakes
- magnetic springs for compensation of gravity force in vertical applications
- fans for forced cooling
- external high resolution sensors
- wipers

**JUNG ANTRIEBSTECHNIK U.
AUTOMATION GMBH**

Felsweg 18
D-35435 Wettenberg - Germany
Tel.: +49-(0)641-48017-0
Fax: +49-(0)641-48017-15
eMail: ja2@ja2-gmbh.de
Web: www.ja2-gmbh.de
www.highdynamic.de

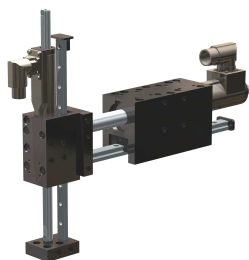
HighDynamic® is our trademark!
Technical changes on demand!
Rev.: 09.12.2012 / js010512

Distributed by:

Deliverable linear drive types

The modules and axis are available for all available motor types and motor versions. This enables customer to choose the best solution for any application.

- standard drives
- drive with F-winding
- high performance drive series
- heavy duty sliders
- high clearance sliders
- connector options



Pick & Placer Systems



Mechatronic Solutions



Robotic Solutions