

# Tubular Light Fitting with LED

## Series 6036



www.stahl.de



16764E00

- > Extremely robust luminaire design for rough ambient conditions
- > Very lightweight and vibration resistant LED light fitting
- > Extremely long service life due to LED used
- > High power LEDs including driver in innovative design
- > Low start-up current

E2



The tubular light fitting **Series 6036** is an extremely robust luminaire with high IP level of protection. The luminaire is maintenance-free and very durable and is particularly suitable for general lighting and machine lighting. Due to its small design and special mounting accessories, the tubular light fitting Series 6036 can be easily mounted in a confined space and places which are difficult to access.

Zone	ATEX / IECEx					
	0	1	2	20	21	22
For use in		x	x		x	x

**WebCode 6036A**

## Tubular Light Fitting with LED

### Series 6036

Selection Table

Version	Diffusor	Connection line Type	Length	Order number	Art. no.	Weight kg
Size 2 (28 W) standard	without	H07RN-F 2x 1 mm <sup>2</sup>	2.5 m	6036/1225-050-0120-01	223994	1.280
			5.0 m	6036/1225-050-0150-01	223997	1.500
			10 m	6036/1225-050-0170-01	239981	2.133
			20 m	6036/1225-050-0180-01	223870	3.300
		(N)HXSLHXÖ-J 2 x 1.5 mm <sup>2</sup>	2.5 m	6036/1225-050-0321-01	224003	1.200
			5.0 m	6036/1225-050-0351-01	224006	1.350
			10 m	6036/1225-050-0371-01	239982	1.633
			20 m	6036/1225-050-0381-01	224000	2.300
	with	H07RN-F 2x 1 mm <sup>2</sup>	2.5 m	6036/1225-050-0120-11	224012	1.400
			5.0 m	6036/1225-050-0150-11	224015	1.600
			10 m	6036/1225-050-0170-11	239983	2.200
			20 m	6036/1225-050-0180-11	224009	3.300
		(N)HXSLHXÖ-J 2 x 1.5 mm <sup>2</sup>	2.5 m	6036/1225-050-0321-11	224021	1.300
			5.0 m	6036/1225-050-0351-11	224024	1.400
			10 m	6036/1225-050-0371-11	239984	1.700
			20 m	6036/1225-050-0381-11	224018	2.300
Size 3 (38 W) standard	without	H07RN-F 2x 1 mm <sup>2</sup>	2.5 m	6036/1235-050-0120-01	223995	1.630
			5.0 m	6036/1235-050-0150-01	223998	1.950
			10 m	6036/1235-050-0170-01	229833	2.485
			20 m	6036/1235-050-0180-01	223992	3.600
		(N)HXSLHXÖ-J 2 x 1.5 mm <sup>2</sup>	2.5 m	6036/1235-050-0321-01	224004	1.550
			5.0 m	6036/1235-050-0351-01	224007	1.700
			10 m	6036/1235-050-0371-01	229838	1.985
			20 m	6036/1235-050-0381-01	224001	2.600
	with	H07RN-F 2x 1 mm <sup>2</sup>	2.5 m	6036/1235-050-0120-11	224013	1.750
			5.0 m	6036/1235-050-0150-11	224016	2.000
			10 m	6036/1235-050-0170-11	229834	2.550
			20 m	6036/1235-050-0180-11	224010	3.700
		(N)HXSLHXÖ-J 2 x 1.5 mm <sup>2</sup>	2.5 m	6036/1235-050-0321-11	224022	1.600
			5.0 m	6036/1235-050-0351-11	224025	1.800
			10 m	6036/1235-050-0371-11	229839	2.100
			20 m	6036/1235-050-0381-11	224019	2.700

# Tubular Light Fitting with LED

## Series 6036



Selection Table

Version	Diffusor	Connection line Type	Length	Order number	Art. no.	Weight kg
Size 4 (49 W) standard	without	H07RN-F 2x 1 mm <sup>2</sup>	2.5 m	6036/1248-050-0120-01	223996	2.000
			5.0 m	6036/1248-050-0150-01	223999	2.300
			10 m	6036/1248-050-0170-01	227249	2.815
			20 m	6036/1248-050-0180-01	223993	3.900
		(N)HXSLHXÖ-J 2 x 1.5 mm <sup>2</sup>	2.5 m	6036/1248-050-0321-01	224005	1.900
			5.0 m	6036/1248-050-0351-01	224008	2.000
			10 m	6036/1248-050-0371-01	227253	2.350
			20 m	6036/1248-050-0381-01	224002	2.900
	with	H07RN-F 2x 1 mm <sup>2</sup>	2.5 m	6036/1248-050-0120-11	224014	2.100
			5.0 m	6036/1248-050-0150-11	224017	2.400
			10 m	6036/1248-050-0170-11	227250	2.910
			20 m	6036/1248-050-0180-11	224011	4.000
		(N)HXSLHXÖ-J 2 x 1.5 mm <sup>2</sup>	2.5 m	6036/1248-050-0321-11	224023	2.000
			5.0 m	6036/1248-050-0351-11	224026	2.100
			10 m	6036/1248-050-0371-11	227252	2.420
			20 m	6036/1248-050-0381-11	224020	3.000

### Order Number Supplement

Connection cable	H07RN-F, 2x 1 mm <sup>2</sup>	6036/1.....1....
	Gifas Thermflex, HXSLHXÖ-J, 2x 1.5 mm <sup>2</sup>	6036/1.....3....
	RCO 5221, 2x 1.5 mm <sup>2</sup>	6036/1.....4....
	(N)SSHÖU 1kV, 2x 1.5 mm <sup>2</sup>	6036/1.....6....
	RADOX, MFH-S B, 2x 1.5 mm <sup>2</sup>	6036/1.....7....

Note  
The tubular light fitting is delivered without plug. Specify the plug on order (see Accessories and Spare Parts) or connect in a terminal box.  
The tubular light fitting is delivered without mounting material. See Technical Data - Mounting - Accessories and Spare Parts.

E2

# Tubular Light Fitting with LED

## Series 6036

### Selection Table

Version	Diffusor	Connection line Type	Length	Order number	Art. no.	Weight
						kg
Size 2 (28 W) mining	without	(N)SSHOU 1kV 2x 1.5 mm <sup>2</sup>	1 m	<b>6036/1225-650-0601-01</b>	<b>247975</b>	1.280
	with	(N)SSHOU 1kV 2x 1.5 mm <sup>2</sup>	1 m	<b>6036/1225-650-0601-11</b>	<b>247969</b>	1.400
Size 3 (38 W) mining	without	(N)SSHOU 1kV 2x 1.5 mm <sup>2</sup>	1 m	<b>6036/1235-650-0601-01</b>	<b>247973</b>	1.630
	with	(N)SSHOU 1kV 2x 1.5 mm <sup>2</sup>	1 m	<b>6036/1235-650-0601-11</b>	<b>247967</b>	1.750
Size 4 (49 W) mining	without	(N)SSHOU 1kV 2x 1.5 mm <sup>2</sup>	1 m	<b>6036/1248-650-0601-01</b>	<b>247971</b>	2.000
	with	(N)SSHOU 1kV 2x 1.5 mm <sup>2</sup>	1 m	<b>6036/1248-650-0601-11</b>	<b>247965</b>	2.100
Note	The tubular light fitting is delivered without plug. Specify the plug on order (see Accessories and Spare Parts) or connect in a terminal box. The tubular light fitting is delivered without mounting material. See Technical Data - Mounting - Accessories and Spare Parts.					

### Explosion Protection

#### Global (IECEX)

Gas, dust and mining

IECEX EPS 13.0027  
Ex d op is IIC T\* Gb  
Ex tb IIIC T\* °C Db  
Ex d op is I Mb  
\* temperature classes and surface temperatures see below

#### Europe (ATEX)

Gas, dust and mining

EPS 13 ATEX 1 597  
⊕ II 2 G Ex d op is IIC T\* Gb  
⊕ II 2 D Ex tb IIIC T\* °C Db  
⊕ I M 2 Ex d op is I Mb  
\* temperature classes and surface temperatures see below

### Certifications and certificates

Certificates

IECEX, ATEX, Kazakhstan (TR), Russia (TR), Belarus (TR)

Ship approval

DNV-GL

### Surface temperature and temperature class

Version	Temperature class	Surface temperature
6036/1...-0...-...-..	T4	100 °C
6036/1...-1...-...-..	T6	80 °C

### Technical Data

#### Electrical data

Rated operational voltage 220 ... 240 V ± 10 % AC 50 / 60 Hz

Rated operational current 0.13 A (size 2)

0.18 A (size 3)

0.25 A (size 4)

Inrush current

$I_{peak} = 3.8 \text{ A}$ ;  $\Delta t = 12 \mu\text{s}$   
max. light fittings per circuit breaker:

Type	10 A	16 A	20 A	25 A
<b>B</b>	30	50	60	80
<b>C</b>	30	50	60	80

Power factor ≥ 0.90

Protection class II

# Tubular Light Fitting with LED

## Series 6036

### Technical Data

#### Luminous characteristics

	6036/1225-...-...-1	6036/1235-...-...-1	6036/1248-...-...-1
Power consumption [W]	28	38	49
Colour rendering [CRI]	≥ 80	≥ 80	≥ 80
Colour temperature [K]	5,000	5,000	5,000
<b>without diffuser</b>			
Luminous flux [lm]	2,715	3,947	5,263
Luminaire efficiency [lm/W]	107	107	109
<b>with diffuser</b>			
Luminous flux [lm]	2,226	3,368	4,491
Luminaire efficiency [lm/W]	89	91	93

Values apply to  $T_a = +25\text{ °C}$ .  
Luminous flux decrease at  $T_a = +60\text{ °C}$  to ≥ 50% of the nominal value.

#### Ambient conditions

Operating temperature range	-55 ... +60 °C The light fitting must be switched on above -40 °C.
Storage	-40 ... +70 °C

#### Service life

Service life		$T_a \leq 25\text{ °C}$	$T_a \leq 45\text{ °C}$	$T_a \leq 60\text{ °C}$
	L70B10C10	100,000 h	90,000 h	80,000 h

$L_x B_y C_z$   
At the end of the service life:  

- Luminous flux decrease to "x" percent
- up to "y" percent of all light fittings fall below "x"
- up to "z" percent of all light fittings break down completely

#### Mechanical data

Degree of protection	IP66 / IP67 IP68 (10 m / 1 h) acc. to IEC 60598
Impact strength (IK code)	IK10 (IEC 62262)
Material	
Enclosure tube	Polycarbonate
Sealing cap	NBR / PVC (EPDM)

#### Mounting / Installation

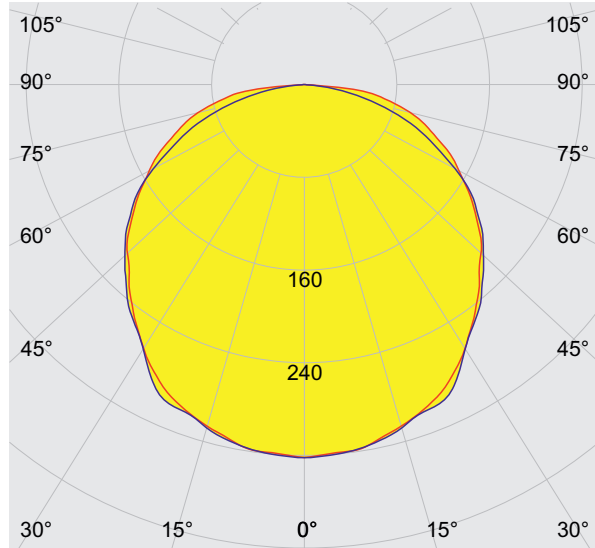
Connection line **The connection line must be laid securely.**

Designation	Application
H07RN-F, $\phi$ 7.7 ... 10 mm, 2 x 1 mm <sup>2</sup>	Standard
H07RN-F, $\phi$ 8.8 ... 11 mm, 2 x 1.5 mm <sup>2</sup>	
Gifas Thermflex cable, HXSLHXÖ-J, $\phi$ 7.7 ... 10 mm, 2 x 1.5 mm <sup>2</sup>	
RCO 5221, $\phi$ 10 ... 12 mm, 2 x 1.5 mm <sup>2</sup>	Special applications
(N)SSHÖU 1kV, $\phi$ 8.7 ... 9 mm, 2 x 1.5 mm <sup>2</sup>	Voltage-proof up to 1kV
RADOX, MFH-S B, $\phi$ 6 ... 7 mm, 2 x 1.5 mm <sup>2</sup>	Offshore

Mounting Mounting option: pipe clamp, rubber coated, clamping range 48 ... 53 mm

# Tubular Light Fitting with LED Series 6036

## Light distribution curves

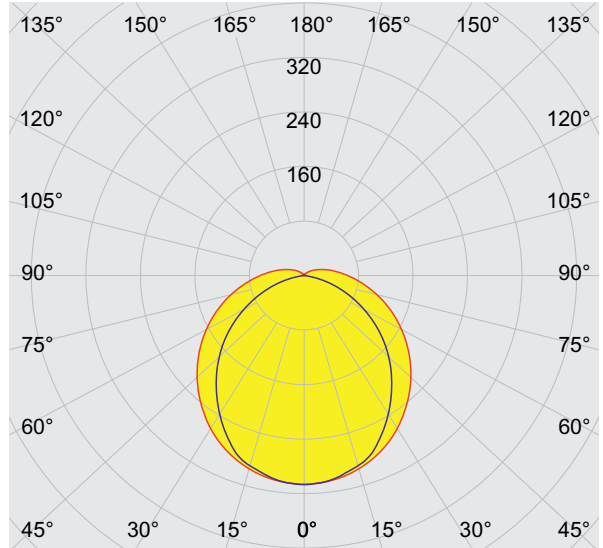


cd/klm  
— C0 - C180      — C90 - C270

100%

16979E00

without diffuser



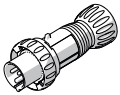
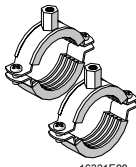
cd/klm  
— C0 - C180      — C90 - C270

100%

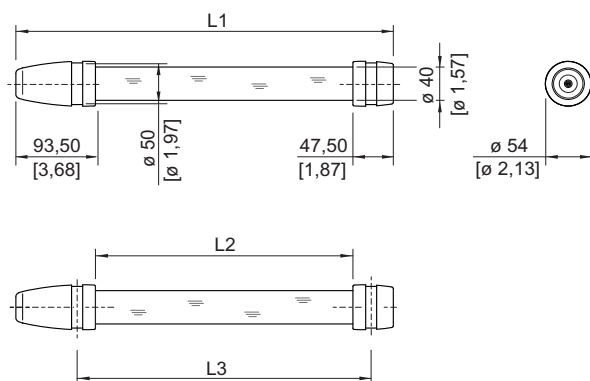
16980E00

with diffuser

## Accessories and Spare Parts

Designation	Figure	Description	Art. no.	Weight kg
Plug		8570/12-304 3 pins, 100 ... 130 V, 50 / 60 Hz, 16 A	<b>150599</b>	0.420
		8570/12-306 3 pins, 200 ... 250 V, 50 / 60 Hz, 16 A	<b>150579</b>	0.420
Mounting bracket		Mounting bracket made of galvanised sheet steel to screw onto thread M8 or M10 (2 pieces)	<b>227256</b>	0.190
		Mounting bracket made of stainless steel V4A (1,4301 / S316) to screw onto thread M8 or M10 (2 pieces)	<b>227257</b>	0.180

## Dimensional Drawings (All Dimensions in mm [inches]) - Subject to Alterations



16352E00

	Size 2	Size 3	Size 4
L1	762 [30.0]	1,059 [41.7]	1,382 [54.4]
L2	618 [24.3]	917 [36.1]	1,240 [48.8]
L3	664 [26.1]	962 [37.9]	1,285 [50.6]

We reserve the right to make alterations to the technical data, dimensions, weights, designs and products available without notice. The illustrations cannot be considered binding.