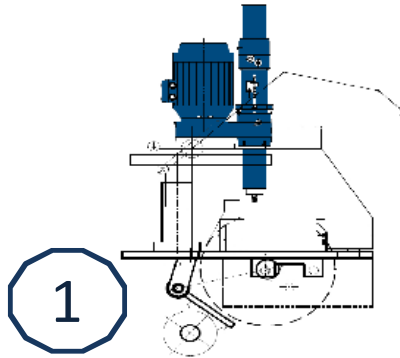


GAA - DRILLING SETUP GUIDE

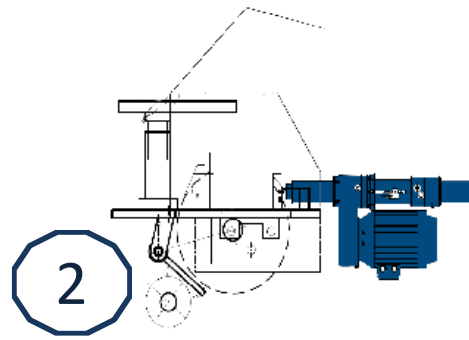
EXAMPLES CONSIDERING THE GAA-350

UNITS:
TR12
TR20
T14 SERVO

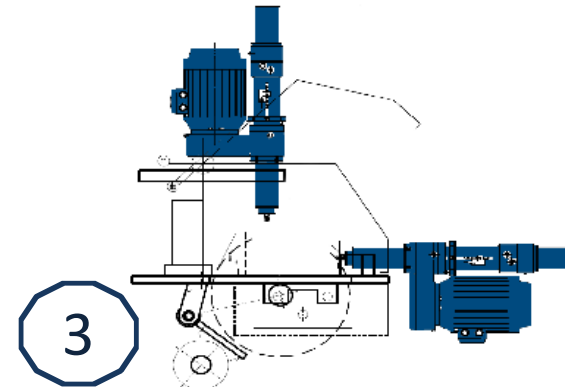
MODELS 1 AND 5, AND MODELS 2 AND 4 CAN BE COMBINED ONLY IN CNC VERSION



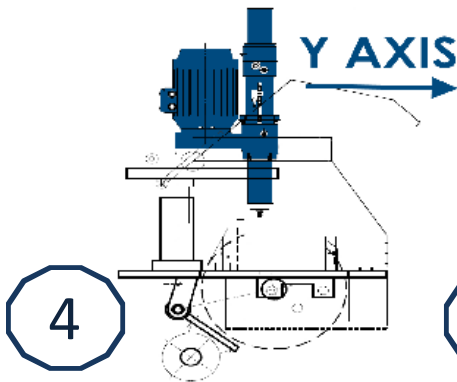
GAA-350-90 +TR12
 GAA-350-90 CNC+TR12



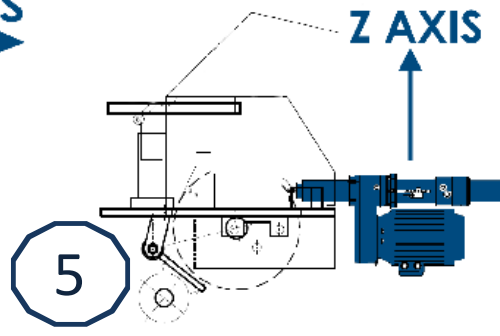
GAA-350-90 +TR12 HORIZONTAL
 GAA-350-90 CNC+TR12 HORIZONTAL



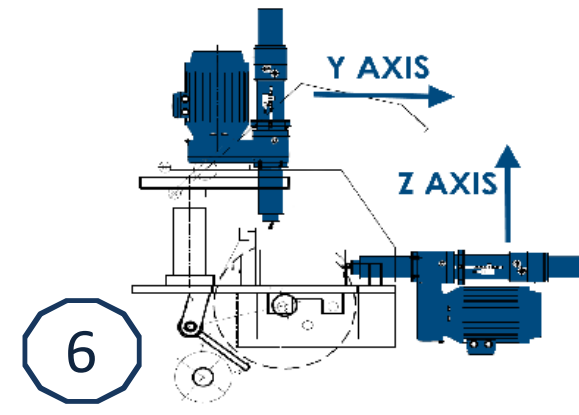
GAA-350-90 +TR12 VERTICAL + TR12 HORIZONTAL
 GAA-350-90 CNC+TR12 VERTICAL + TR12 HORIZONTAL



GAA-350-90 CNC +TR12 + Y AXIS



GAA-350-90 CNC +TR12 HORIZONTAL + Z AXIS



GAA-350-90 CNC +TR12 + Y AXIS + TR12 HORIZONTAL + Z AXIS

Since 1972

www.tronzadorasmg.com