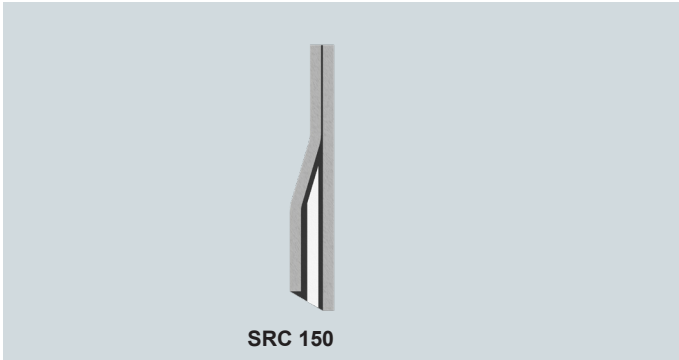


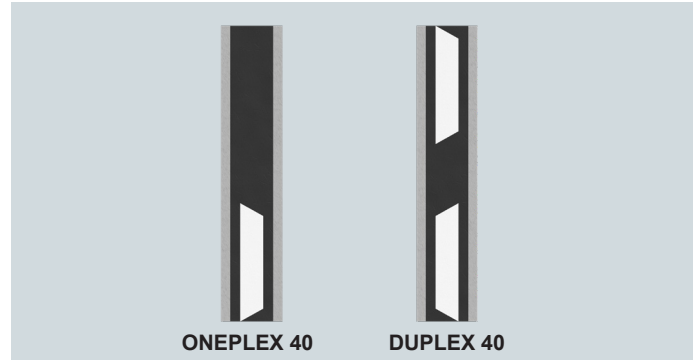


COMBI BLADES SNOWPLOUGH



SRC 150

SRC 150 is a combi blade intended for small or light ploughs. Due to the thickness, it is more efficient than other blades as it touches close to the asphalt. It is not recommended on sensitive surfaces or on roads with a lot of signal markings.

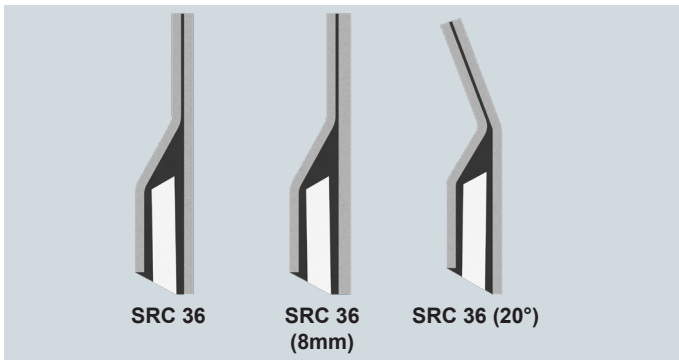


ONEPLEX 40

DUPLEX 40

ONEPLEX 40 is a combi blade designed for medium and heavy ploughs. It is mostly used on Vario ploughs where ordinary rubber blades are not strong enough.

DUPLEX 40 is a combi blade designed for medium and heavy ploughs. This is a double-sided blade, where the blade can be rotated 180° degrees allowing it to be used on both sides.

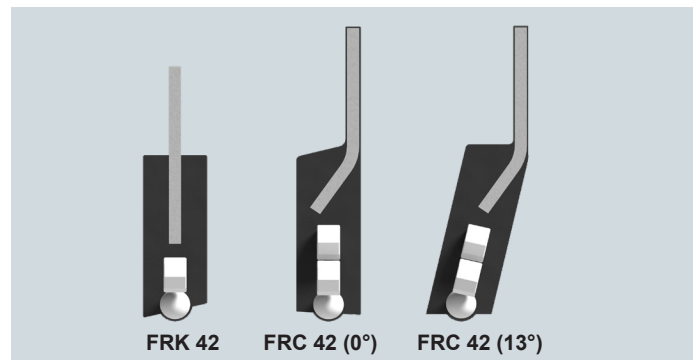


SRC 36

SRC 36
(8mm)

SRC 36 (20°)

SRC 36, SRC 36 (8mm) and SRC 36 (20°) are combi blades designed for medium and heavy ploughs. The thickness is ideal, giving less resistance, allowing fast driving and yet remaining efficient. These universal blades are the best replacement for classic steel blades due to a longer lifespan. Not recommended for sensitive surfaces or on roads with signal markings. SRC 36 (8mm) has a stronger 8mm front plate. SRC 36 (20°) is a special version of the 8mm with an additional 20° angle.



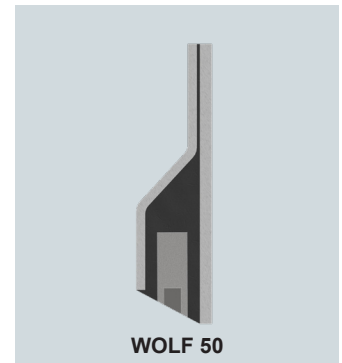
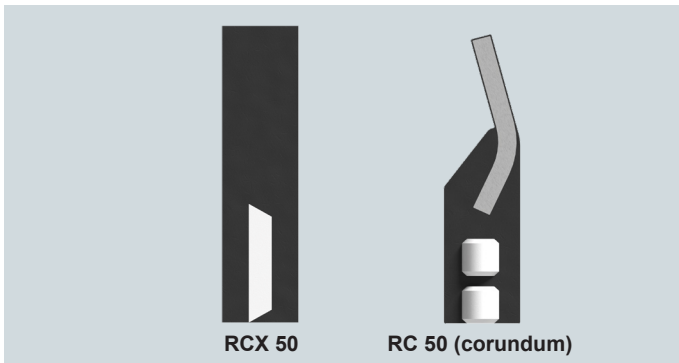
FRK 42

FRC 42 (0°)

FRC 42 (13°)

FRK 42, FRC 42 (0°) and FRC 42 (13°) are intended for light ploughs. They are ideal for ploughs using a spring-load mechanism for swivel blades. Perfect for uneven terrain and short distances, generally used to clean private properties or walking and cycling areas.









RCX 50 is intended for medium and heavy ploughs. It is used instead of ordinary blades where a more aggressive grip on the road and longer duration is required. It contains corundum segments of the same shape as the combi blades. Avoid use on paved parking lots and sensitive surfaces as it can leave white marks or scratch the surface.

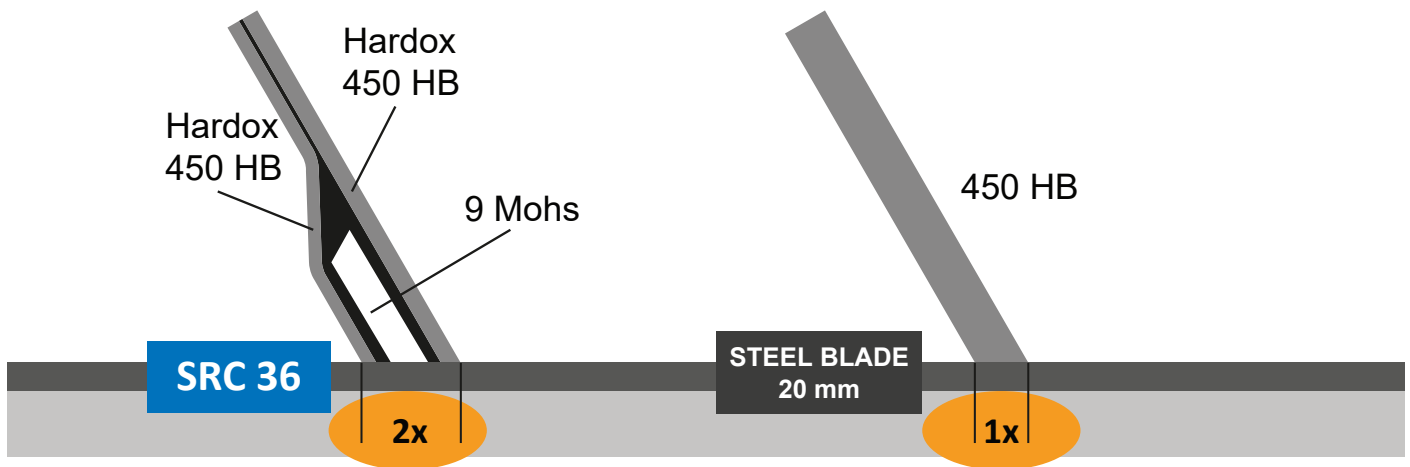
SRC 50 is a combi blade designed for medium and heavy ploughs. The thickness is ideal giving less resistance, allowing fast driving and yet remaining efficient. This universal blade is the best replacement for classic steel blades due to a longer lifespan. This is the longest lasting blade with corundum segments. Not recommended for sensitive surfaces or roads with signal markings.

RC 50 (Corundum) is intended for medium and heavy ploughs. Ideal for roads with raised pavement markings as it crosses without damage. A unique way of stacking corundum segments allows an extended lifespan and less resistance when driving. To be used instead of combi blades, where combi blades are too hard and sharp.

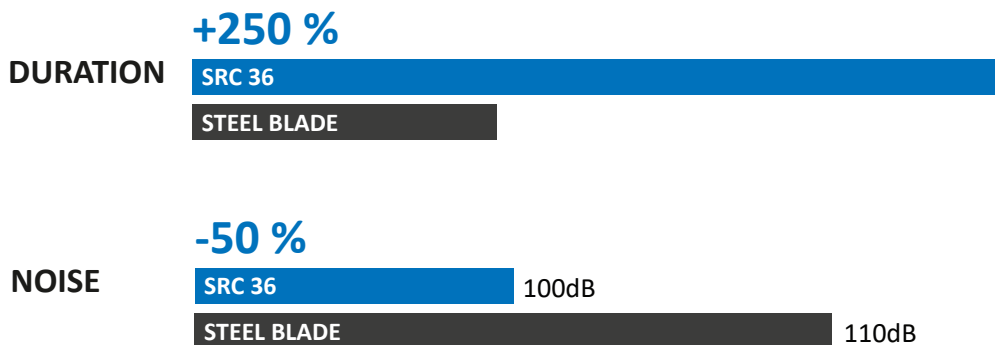
WOLF 50 is a combi blade designed for heavy ploughs. The thickness is ideal, giving less resistance, allowing fast driving and yet remaining efficient. Steel segments with carbide inserts are placed along the entire blade. Carbide is known as the hardest metal in the world. Not recommended for use on sensitive surfaces or roads with signal markings.

	 Motorway	 Local roads	 Urban area	 Parking
SRC 150		X	X	
SRC 36	X	X	X	
SRC 36 (8mm)	X	X	X	
SRC 36 (20°)	X	X	X	
ONEPLEX 40	X	X	X	X
DUPLEX 40	X	X	X	X
FRK 42	X		X	
FRC 42 (0°)	X		X	
FRC 42 (13°)	X		X	
RCX 50	X		X	
RC 50 (Corundum)	X	X	X	X
SRC 50	X	X		
WOLF 50	X	X		

Comparison of SRC 36 with steel blade



Larger area on the ground, means less friction,
less friction means faster driving and lower fuel consumption.



*Decibels are measured on a logarithmic scale, and +10dB is about twice as loud.

Together we are stronger

At WILLBRANDT we value our customers and it is important to us that our customers get the best products in the market.



WILLBRANDT Gummiteknik A/S

Grønlandsgade 9 • 4690 Haslev
+45 5687 0164 • info@willbrandt.dk
willbrandt.dk • willbrandt.se • willbrandt.solutions