

HIGH QUALITY **WEIGHING** AND
OVERLOAD SOLUTIONS FOR HOISTS
AND CRANES

Vetec
Weighing & Radio Technology

PRODUCT CATALOGUE DATA SHEETS

STANDARD & CUSTOM-DESIGNED SOLUTIONS

CONSTRUCTION, OFF-SHORE,
MARINE & HARBOURS, WIND ENGERGY,
AGRICULTURE AND TRANSPORT



Content:

<hr/>	
Dynamometer	3
Handheld Display	4
Mechanical Overload Switch	5
Weighing & Overload System WT1	6
Heavy duty Weighing & Overload System WT3	7
Running Line Tensiometer	8
Offshore Dynamometer	9
Shackle Pin	10
Load Pin Series	11
Large Displays	12
Panel Meter	13
Equilised Junction Box	14
S Cell- Low capacity	15
S Cell- High capacity	16
Pressure Transducer	17
Comp Cell	18
Bellows Bending Beam	19
ET Stainless Series	20
Bolt-on	21
Tiger G2	22
Transmitters (Tiger)	23
Receivers (Tiger)	24
<hr/>	
<hr/>	
<hr/>	
<hr/>	
<hr/>	

Dynamometer

D2000A

- Accuracy higher than 0,2% FS
- Very clear red digit LED display / Visible at long distances and in bright daylight
- Compact size / high strenght steel
- Fully serviceable parts
- Built-in rechargeable batteries
- Very easy to use
- Available ex. stock (DK)



Specifications:

Application areas:	Under hook crane weighing. Crane and hoist calibration and proof load testing.
Capacity:	2T - 120T.
Accuracy:	> 0,2%.
Safe overload:	120 %
Materials:	High strenght steel. Silver chrome plated surface.
Charger:	NIMH, 4-10 cell.
IP class:	IP 64
Display:	Bright LED
Batteries:	AA 1,5V (rechargeable)
Operating time:	8-14 hours
Operating Temp:	-20°C to +40°C

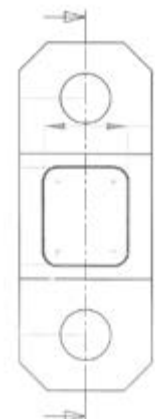
Item No:	Capacity (T)	Dimensions (LxWxH)	Bolt dia. (mm)	Weight (kg)	Increment (kg)
D2000-ALU-2T	2	200 x 100 x 66	20	1,20	1
D2000A-6T	6,5	220 x 95 x 75,4	30	3,30	5
D2000A-12T	12,5	250 x 95 x 83	35,5	4,55	10
D2000A-25T	25	340 x 108 x 83	51,0	7,60	10
D2000A-55T	55	440 x 160 x 94,4	73,0	19,10	50
D2000A-120T	120	500 x 200 x 120,2	100,0	39,50	100

Accessory options:

- Handheld display (2000B-6V-RTX).



- PC datalog software (DYNALOG)



Handheld Display

2000B-6V-RTX

- Handheld display for Vetec Dynamometer
- Enables the measurements to be read from long distances and from moving objects
- Up to 8 Dynamometers with handheld display can be used in the same area.
- 8 frequencies, all in the 868-869 MHz area
- Very easy to use



Specifications:

Application areas:	For use with Vetec Dynamometer only
Range:	Up to 15m in open range
Number of channels:	4 + 4
Standard frequency:	869.7500 MHz (other frequencies available)
Communication form:	One way
RF output power:	5 mW
Operating time:	8-14 hours
Operating temp.:	-20°C to +65°C.
Batteries:	AA 1,5V (rechargeable)
Charger:	NIMH, 4-10 cell. (as Dynamometer)
Dimensions:	L 190 x W 104 x H 65
Weight:	0,4 kg.

Mechanical Overload Switch

SM4067 & SM4068

- Minimal lifting height reduction (only 150mm length)
- Quick and precise installation with simple tools
- Mounted on the dead end of the wire rope
- An opening to the spring makes it possible to see when the switch is adjusted correctly
- Can be adjusted to fit different wire sizes and kg/ton
- Available ex. stock (DK)



Specifications

Application areas: Load limitation of hoisting devices, cranes and overhead cranes. Suitable for a variety of industrial environments, including high-temperature and dusty environments.

Dimensions: W70 x H145 x L150

Operating temp. : 0-80° C Below 0° C a heating device is recommended.

Materials:
Housing: Nickel plated steel.
Springs: Heat treated spring steel, according to GB/T 13304.

Axles: CK45.

Hysteresis: Max, 4% FS

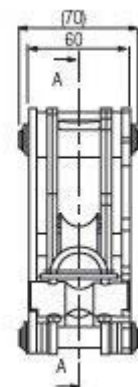
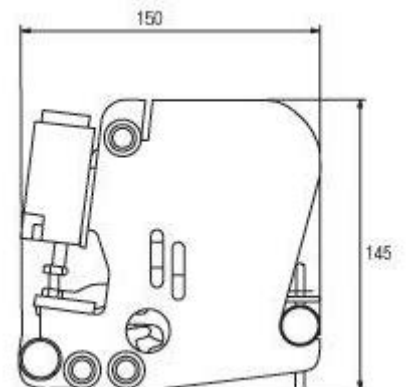
Item No:	Wire	Capacity	Weight
SM4067-2	6-13 mm	500-1500 kg. per reeving	2,45 kg
SM4067-4	6-13 mm	1500-3000 kg. per reeving	2,80 kg
SM4067-6	6-13 mm	3000-5000 kg. per reeving	3,15 kg

SM4068-2	13-20 mm	500-1500 kg. per reeving	2,45 kg
SM4068-4	13-20 mm	1500-3000 kg. per reeving	2,80 kg
SM4068-6	13-20 mm	3000-5000 kg. per reeving	3,15 kg

Switch:	UI:	500V
	Utilisator:	AC-15: 230 V / 4 A DC-13: 24 V / 1 A
	UL listed.	
	IEC 60947-5-1	

Accessory options:

- 2 limit switches



Weighing & Overload System

WT1-N

- Electronic Clamp-on solution for wire 6-15 mm.
- Accuracy < 1% FS & overload protection
- Universal fit
- Minimal lifting height reduction / Compact size (L100 mm)
- Quick and easy to install on the dead end of the wire rope
- Available ex. stock (DK)

Note: A complete system consists of a WT1-N and an amplifier

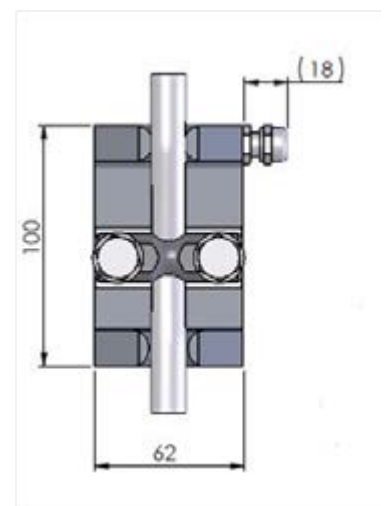
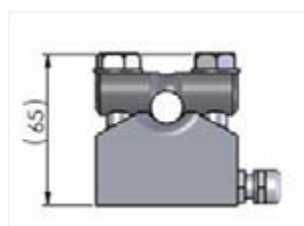


Specifications:

Application areas:	Combined load indication and load limitation system for hoisting devices, cranes and overhead cranes.
Accuracy:	< 1% FS.
On Unit:	0,1%
Mounted:	0,1% x wire diameter x 2.
Output:	2,0 Nom MV/V Balanced signal
Capacity:	5T on unit x reevings for crane capacity
Wire Size:	6-15 mm
Material:	Alu 7075
Temperature:	0,0011 MV/C
Input:	EXC. 5-10 VDC
Dimensions:	L 100 mm x W 62 mm x H 65 mm
Weight:	0,8 kg.
Cable:	3 m. (Up to 15 m as option)

Accessory options :

- Amplifier (OL3000A)
- Local or remote display with built-in amplifier
- Remote control (Tiger)
- For some wire types a compensation kit is recommended to achieve < 1% accuracy

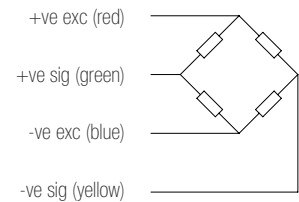
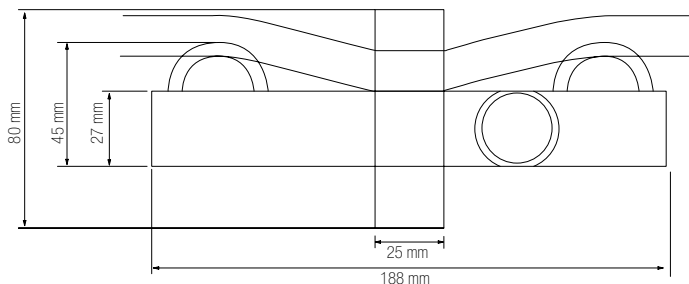


Heavy duty Weighing & Overload System

WT3

- Electronic Clamp-on solution for wire 8-38 mm.
- Accuracy <1% FS & overload protection
- Quick and easy to install on the dead end of the wire rope
- Stainless steel construction

Note: A complete system consists of a WT3 and an amplifier



Specifications

Full Load Output:	1.0 nom mV/V
Zero Load Output:	<±5.0%
Excitation (Max):	10 (15) V
Accuracy:	<1 % FS
Repeatability:	<0,25 %
Input Resistance:	375 (±20) Ω
Output Resistance:	350 (±2) Ω
Compensated Temp. Range:	0 to +60 °C
Operating Temp.:	-10 to +80 °C
Temp. Coefficient on Zero:	<0.0010 % Capacity/°C
Temp. Coefficient on Span:	<0.0010 % Capacity/°C
Safe Overload:	150 %
Insulation:	>500 @100Vdc MΩ
IP class:	IP68

Item No:	Wire (mm)	Load (kg)
WT3-8-10	8-10	750
WT3-11-13	11-13	1700
WT3-14-16	14-16	3000
WT3-18-19	18-19	4000
WT3-20-22	20-22	5700
WT3-24-26	24-26	7000
WT3-27-28	27-28	9700
WT3-29-32	29-32	12600
WT3-33-35	33-35	15100
WT3-36-38	36-38	17900

Accessory options:

- Amplifier (OL3000A)
- Local or remote display with built-in amplifier
- Remote control (Tiger)
- Other ranges available on request
- ATEX approval available.

Specifications subject to change without notice

ATEX / IECEx Approved to
Ex ia IIC T6
Ex tD A20 IP68 T85C



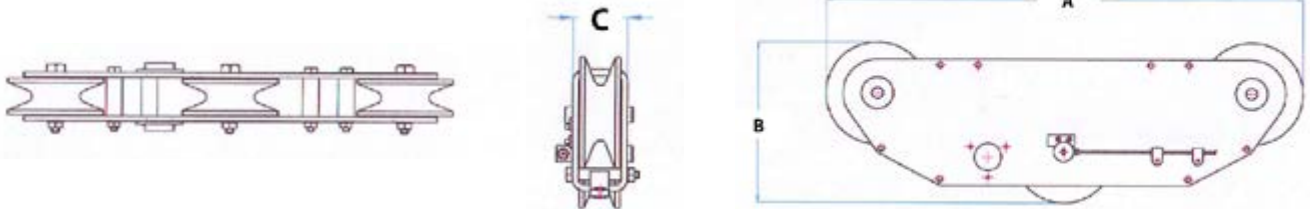
Running Line Tensiometer

RLT

- Weighing and overload system for moving wires
- Heavy duty ball bearing construction
- Hardened stainless load pin
- 3 standard housing models
- Wide assortment of mounting accessories



Note: A complete system consists of a running line and an amplifier



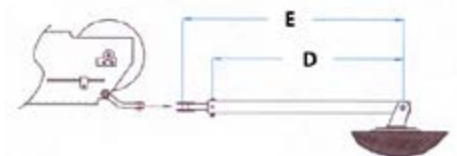
Specifications

Application areas:	Combined load indication and load limitation system for cranes and hoists with moving wires.
Capacity:	1-1000T.
Accuracy:	Down to 1%.
Wire size:	10-38mm
Output signal:	1mv/v at full load
IP class:	IP 67
Relative humidity:	>98%
Operating temp. :	-20°C to +60°C. Under 0°C the free movements of the wheels must be observed

Item No.	Wire (mm)	A (mm)	B (mm)	C (mm)	Weight (Kg)
RLT 13	13	720	225	180	14,5
RLT 16	16	720	225	180	21,5
RLT 19	19	720	225	180	21,5
RLT 22	22	810	270	186	37
RLT 25	25	810	270	186	37
RLT 28	28	810	270	186	37
RLT 32	32	963	297	188	56
RLT 35	35	963	297	188	56
RLT 38	38	963	297	188	56

Accessory options:

- Amplifier (OL3000A)
- Local or remote display with built-in amplifier.
- Payout counter
- Available in galvanised steel for corrosive environments.
- Mounting Arm



Item No.	D (mm)	E (mm)	Weight (kg)
RLT MOUNTING ARM 1	810	1270	11
RLT MOUNTING ARM 2	850	1320	11
RLT MOUNTING ARM 3	850	1320	15

Offshore Dynamometer

D2000E

- Telemetry
- Aluminium / very compact size
- Black eloxed aluminium surface
- IP66. IP67 as option
- Range 200 m
- For use with standard shackles



NOTE: The Dynamometer is as standard provided with hand-held display and suitcase.

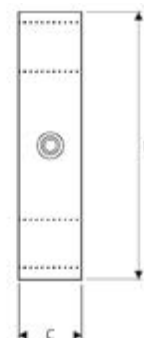
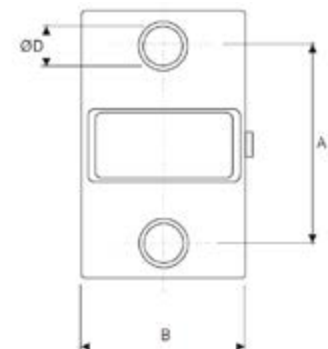
Specifications

Application areas:	Under hook crane weighing. Crane and hoist calibration and proof load testing.
Capacity:	1-500T
Accuracy:	< 0,5 %
Full Load Output:	1,0 nom. mV/V
Zero Load Output:	< 1%
Excitation (Max):	10 (15) V
Repeatability:	< 0,10 %
Input Resistance:	750 Ω
Output Resistance:	700 Ω
IP class:	IP66. IP 67 as option
Compensated Temp. Range:	0 to +70°C
Operating temp. :	-20°C to +80°C.
Temt. Coefficient on Zero:	< 0,030 % Capacity /°C
Temp. Coefficient on Span:	< 0,0050 % Capacity /°C
Safe Overload:	150%
Insulation:	> 500 @ 100 Vdc MΩ

Item No	Capacity (T)	A (mm)	B (mm)	C (mm)	D (mm)	E (mm)	Weight (Kg)
D2000E-5T-S	5	108	105	40	30	164	1,4
D2000E-12T-S	12	120	105	40	38	210	1,9
D2000E-25T-S	25	131	125	55	53	255	4,0
D2000E-35T-S	35	147	135	55	60	305	5,0
D2000E-50T-S	50	170	150	75	73	345	9,0
D2000E-100T-S	100	228	220	123	100	455	27,0
D2000E-250T-S	250	330	304	189	145	680	87

Options:

- Other ranges available on request
- Cabled Version



Shackle Pin

SHA-PIN

- Stainless steel pin & bobbin
- Greenpin Shackles
- 4-20 mA output
- Telemetry and cabled version



Capacity (T)	A	B	C	D	L	T
5	120	60	25	30	90	45
10	150	76	32	35	110	50
25	225	106	45	50	170	75
50	325	145	68	70	150	105
100	420	203	92	95	350	130
250	625	305	115	127	475	215

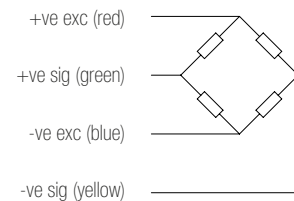
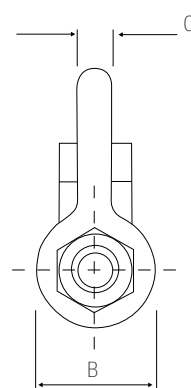
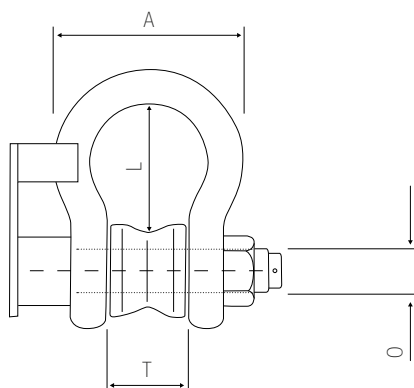
Specifications

Capacities:	5, 10, 25, 50, 100, 250 T	
Full Load Output:	1.0 nom. mV/V	
Zero Load Output:	<±0.004 %	
Excitation (Max):	10 (15) V	
Accuracy:	<0.5 %	
Repeatability:	<0.10 %	
Input Resistance:	375 Ω	
Output Resistance:	350 Ω	
Compensated Temp. Range:	+20 to +60 °C	
Operating Temp. Range:	- 30 to +70 °C	
Temp. Coefficient on Zero:	<0.050 % Capacity/°C	
Temp Coefficient on Span:	<0.030 % Capacity/°C	
Safe Overload:	150 %	
Insulation:	>500 @100Vdc	MΩ
IP class:	IP68	

Options:

- Other ranges available on request
- Atex certification

Specifications subject to change without notice



ATEX / IECEx Approved to
Ex ia IIC T6
Ex tD A20 IP68 T85C



Load Pin Series

Internally gauged pins

- Range 0,1 T to 1000 T
- Sealed to IP68
- Low deflection
- Ideal for direct swap installation
- Stainless steel construction

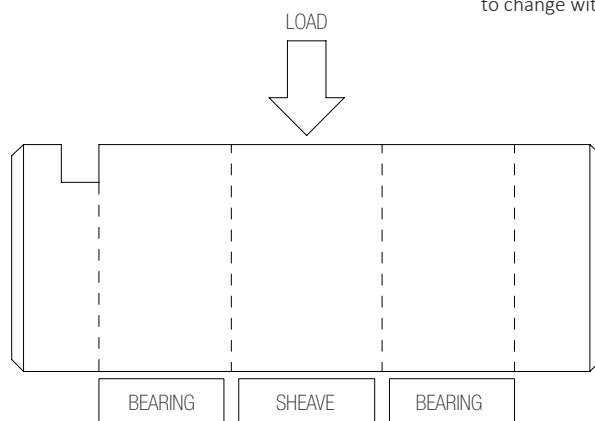
Designed specifically for customers requirements as direct replacement for shackles and load bearing pins in lifting equipment



Specifications

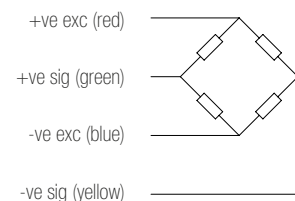
Capacities:	0.1 to 1000+	T
Proof Load:	150	% of rated load
Ultimate breaking load:	500	% of rated load
Bridge Resistance:	350/700/1000	ohms
Excitation:	5 to 10	Volts (dc)
Output:	1.0 to 1.5	mV/V
Non-Linearity:	±1%	typical
Non-Repeatability:	±0.04%	optimum
IP class:	IP67	
Operating Temp. Range:	-20 to +70	°C
Temp. Coefficient on Zero:	<0.02	% Capacity/°C
Temp Coefficient on Span:	<0.02	% Capacity/°C
Signal cable:	5m polyurethane 4 core	

Specifications subject to change without notice



Options:

- Special anti-rotation / locking plates
- Internal greaseways Plug / Socket breakdown at pin
- Second redundancy gauge bridge
- Internal signal amplifier
Witness by Lloyds Reg. Of Shipping, ABS etc.
- Single shear pins Fully Welded
- Submersible
- ATEX approval



Large Displays

D1002/4-L and D1004/4-L

Display functions

- Total
- Rate / Speed
- Target (ideal for production lines)
- Frequency
- Weight
- Temperature
- Humidity
- Real Time
- Elapsed Time
- Power, RPM, Torque
- Pressure
- ... any combination of the above

The Fusion series has these benefits...

- Easy to use, no-menu programming
- Smart styling, slim, easy to install
- Competitively priced
- Remote setting from ground level
- Modular options to suit your exact needs
- Displays can be built to custom formats
- Indoor and outdoor models
- Fast, free technical support
- Long warranty, extendable free of charge
- Can be built with AlphaNumeric displays
- Wide range of mounting and gland positions

Input signals for the Fusion

- 4-20mA, 0-10V, 1-5V etc
- Loadcells
- PNP, NPN, Namur, Contact closure, etc
- Serial Data RS232, 485, 422 etc.
- Temperature sensors
- Humidity sensor
- Profibus DP
- Logic Reset, Tare, Peak/Valley etc.

- IP65 for bottom glands, IP54 for top

What size digits are available?

- 57 mm for up to 25 metres viewing
- 102mm for up to 50 metres viewing
- 150mm for up to 75 metres viewing
- 200mm for up to 100 metres viewing
- 300mm for up to 140 metres viewing
- 400mm for up to 200 metres viewing

Which output options are possible?

- 2 or 4 alarm SPST relays, 2x SPDT
- 4-20mA, 0-10V or -10 to +10V analog
- RS232, RS485, Ethernet data output



Panel Meter

P1001/6



- Easy to use
- Clear, variable brightness display
- Available with digits up to 400mm high
- Clear written manuals & video guides-online!
- Saves you time and money
- Generally available from stock
- Plug-in options for quick upgrades
- Calibration counter for audit trails
- Adjustable menu timeout for new users

These are among the easiest of programmable panel meters to commission. And they offer high precision with long term reliability. If you normally programme meters via a menu system, you will know how tedious and time consuming this can be. This is why we designed the INTUITIVE series- to save you time. The INTUITIVE family eliminates the need for menus. This means faster commissioning and less stress for you. Not only is the meter easy to adjust, the operating manual is clear, simple and easy to understand. You can directly access the setting you want with our unique “Quick-Step” method. If you want to calibrate the zero, or the scaling, or the analogue output, or the alarms, or the 11 point linearisation facility, you get directly to that setting, not down a long menu system via other steps or settings!

Plug-in Output options...

Isolated and scalable Analogue output
 4-20mA - Option ANI
 0-10V - Option ANV
 -10 to +10V - Option ANB

Alarm relays rated 5A 250 VAC resistive

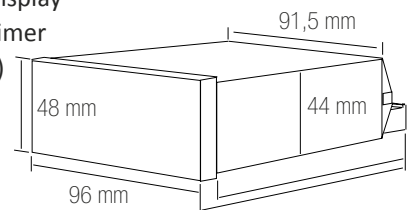
2 alarms - Option AL2
 4 alarms - Option AL4
 2 x SPCO - Option SPCO
 2 x Solid state - Option DSS

Isolated Data output options

RS232 - Option 232
 RS485 - Option 485
 Ethernet - Option EN
 Profibus DP- Option PDP

- INT2-P** Process I/P for 4-20mA, 0-10V etc.
- INT2-I** Process Integrator for flow totalising
- INT2-T** Temperature J,K,T,R,S, PT100
- INT2-L** 4 and 6 wire loadcells. 10V 120mA exc.
- INT2-R** Resistance meter. 4 wire sensing.
- INT2-C** Counter/Rate 6 digits, fully scalable
- INT2-S** Serial Data I/P for slave display
- INT2-H** Chronometer / Elapsed timer
- INT2-M** Millivolt input (shunt etc)

1/8 DIN format case, black polycarbonate, IP65 front



Panel cutout should be 92mm wide x 45mm high, +1mm,-0mm 1/8 DIN.
 Depth behind panel 125mm max, including cables. 350 grammes typical weight

Meter input type	Analogue Output	Alarm Output	Serial Data Output	Display Colour	Supply Voltage	Special Requirements
Process INT2-P	No output -0	No alarms -0	No data -0	Red -R	100-240VAC -AC	None -0
Integrator INT2-I	4-20mA -ANI	2 alarms -AL2	RS232 -232	Green -G	11-30VDC -DC	8 memories*^ -MEM
Temp INT2-T	0-10V -ANV	4 alarms -AL4	RS485 -485	Yellow -Y		IP67 cover -SPC4
Loadcell INT2-L	-10/+10V -ANB	2xSPCO -SPCO	Ethernet^ -EN			Factory Scaled -FS
Ohms INT2-R		Dual SS -DSS	Profibus^ -PDP			Plain lens -PL
Chrono INT2-H						Wall Box IP65 -WB
Counter INT2-C						Remote buttons^ -RBF
RS232 INT2-S2						Fast update^ -100X
RS485 INT2-S4						
Millivolt INT2-M						

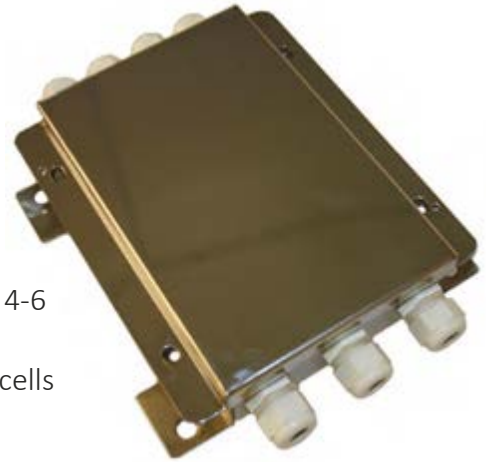
Example part number = INT2-P-ANI-AL2-0-R-AC-SPC4-FS
 * Only available on -P and -L meters. ^ Reduces some options/specs.

Ordering Guide. Create a full part number like this:-

Equilised Junction Box

500kg to 20,000kg

- Stainless steel
- IP 65
- Fitted with electronic board for junction and equalisation of 4-6 load cels.
- Terminal board with screws for easy connection of the load cells
- Signal adjustment trimmers for accurate and reliable equalisation.



Specifications

Stainless steel case

IP class:	IP65
Maximum input voltage:	24 Vdc
Maximum input current:	700 mA
Maximum input load cell signal:	1000 mV
Temperature effects:	50 ppm/°C
Protection diodes against surges or electrostatic discharges	
Inputs on screw connectors or soldering squares	
Four cell model dimensions:	155x158x45 mm
Six cell model dimensions:	190x132x50 mm

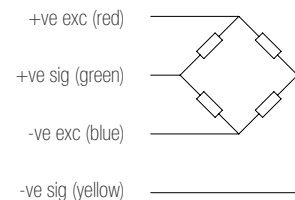
Specifications subject to change without notice



S Cell

Low Capacity

- Bolt on covers
- Stainless steel
- Sealed to IP67
- Tension and compression
- High accuracy



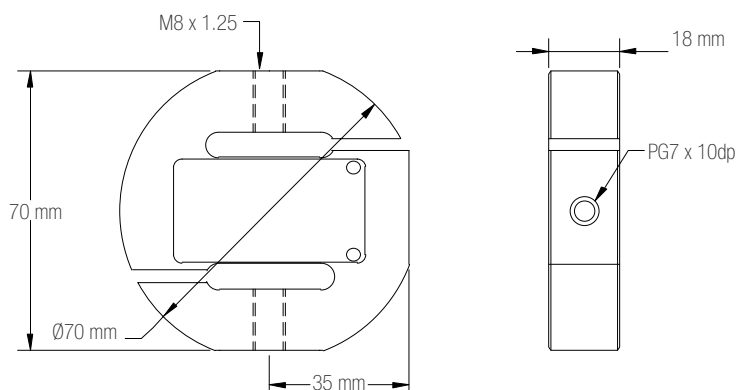
Specifications

Capacities:	10, 25, 50, 100 kg
Full Load Output:	2.0 ($\pm 0.25\%$) mV/V
Zero Load Output:	$< \pm 2.0\%$
Excitation (Max):	10 (15) V
Accuracy:	$< 0.03\%$
Repeatability:	$< 0.01\%$
Input Resistance:	375 (± 20) Ω
Output Resistance:	350 (± 2) Ω
Compensated Temp. Range:	-10 to +40 °C
Operating Temp.:	-20 to +70 °C
Temp. Coefficient on Zero:	$< 0.0015\%$ Capacity/°C
Temp. Coefficient on Span:	$< 0.002\%$ Capacity/°C
Safe Overload:	150 %
Insulation:	$> 500 @ 100\text{Vdc}$ M Ω
IP class:	IP67

Options:

- Eye-bolts, compression fittings and instrumentation.

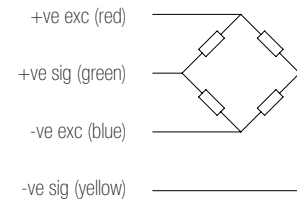
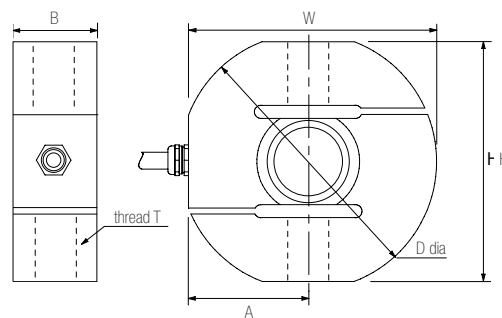
Specifications subject to change without notice



S cell

High Capacity

- 250kg to 20,000kg
- Welded covers
- Stainless steel
- Sealed to IP68
- Tension and compression
- High accuracy



Specifications

Capacities:	250,500,1000, 2000, 5000, 10000 kg
Full Load Output:	2.0 ($\pm 0.25\%$) mV/V
Zero Load Output:	$< \pm 2.0\%$
Excitation (Max):	10 (15) V
Accuracy:	$< 0.03\%$
Repeatability:	$< 0.01\%$
Input Resistance:	375 (± 20) Ω
Output Resistance:	350 (± 2) Ω
Compensated Temp. Range:	-10 to +40 °C
Operating Temp. Range:	-20 to +70 °C
Temp. Coefficient on Zero:	$< 0.0015\%$ Capacity/°C
Temp. Coefficient on Span:	$< 0.002\%$ Capacity/°C
Safe Overload:	150 %
Insulation:	$> 500 @ 100Vdc$ M Ω
IP class:	IP68

Specifications subject to change without notice

Capacity (kg)	A	W	H	B	$\varnothing D$	Tread T
250,500	35	72.5	70	24.5	75	M12 x 1.75
1000,2000	45	95	95	30	100	M20 x 1.5
5000	57.5	120	120	40	125	M24 x 2
10000	65	141	145	55	152	M30 x 2
20000	8	188	190	070	200	M45 x 3

All dimensions in mm

Options:

- Eye-bolts, compression fittings and instrumentation.

ATEX / IECEx Approved to
Ex ia IIC T6
Ex tD A20 IP68 T85C

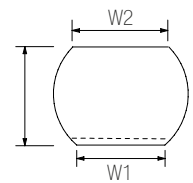
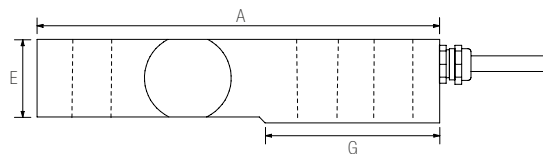
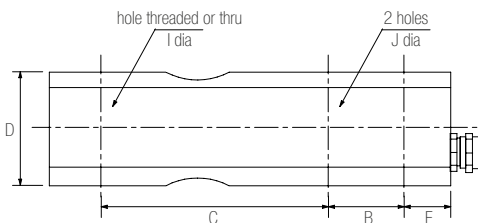
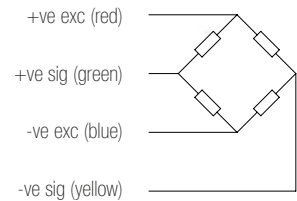


Pressure Transducer

Underhook/Inline Load Link



- Welded covers
- Stainless steel
- Sealed to IP68
- ATEX certification available
- Integral mounting base
- High accuracy



Specifications

Capacities:	250,500,1000, 2000,5000,10000 kg
Full Load Output:	2.0 ($\pm 0.25\%$) mV/V
Zero Load Output:	$< \pm 2.0\%$
Excitation (Max):	10 (15) V
Accuracy:	$< 0.03\%$
Repeatability:	$< 0.01\%$
Input Resistance:	375 (± 20) Ω
Output Resistance:	350 (± 2) Ω
Compensated Temp. Range:	-10 to +40 °C
Operating Temp.:	-20 to +70 °C
Temp. Coefficient on Zero:	$< 0.0015\%$ Capacity/°C
Temp. Coefficient on Span:	$< 0.002\%$ Capacity/°C
Safe Overload:	150 %
Insulation:	$> 500 @ 100\text{Vdc}$ M Ω
IP class:	IP68

Specifications subject to change without notice

Options:

- Vessel mounting kit, load button and instrumentation.

Capacity (T)	A	B	C	D	E	F	G	H	$\varnothing J$	W1	W2	$\varnothing I$
250 – 2000	135	25.4	76.2	38.1	26	16	58.5	28	13	22	27	M12x1.75
5000	170	38.1	95.3	50.8	36	20	76	39	21	28.5	36	$\varnothing 21$
10000	220	50.8	120.7	68	46	26	105	52	26	35.5	50	$\varnothing 26$

All dimensions in mm

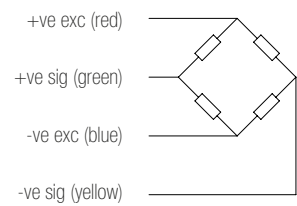
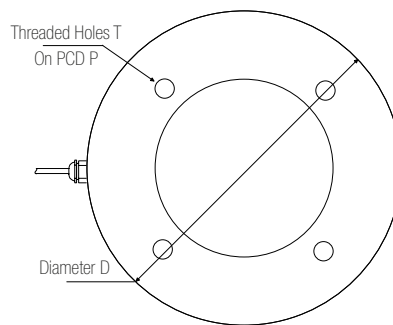
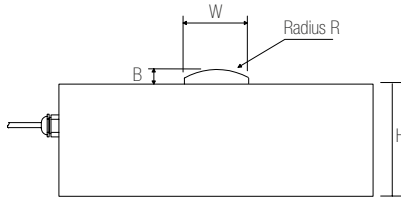
ATEX / IECEx Approved to
Ex ia IIC T6
Ex tD A20 IP68 T85C



Comp Cell

500kg to 20,000kg

- Low height
- Stainless steel
- Sealed to IP68
- Compression load cell
- Integral load button
- Welded cover



Specifications

Capacities:	0.5,1,2,5,10,20 tonne
Full Load Output:	2.0 ($\pm 0.25\%$) mV/V
Zero Load Output:	$< \pm 2.0\%$
Excitation (Max):	10 (15) V
Accuracy:	$< 0.25\%$
Repeatability:	$< 0.1\%$
Input Resistance:	750 (± 20) Ω
Output Resistance:	700 (± 2) Ω
Compensated Temp.:	-10 to +50 °C
Operating Temp. Range:	-20 to +70 °C
Temp. Coefficient on Zero:	$< 0.005\%$ Capacity/°C
Temp. Coefficient on Span:	$< 0.005\%$ Capacity/°C
Safe Overload:	150 %
Insulation:	$> 500 @ 100\text{Vdc}$ M Ω
IP class:	IP68

Specifications subject to change without notice

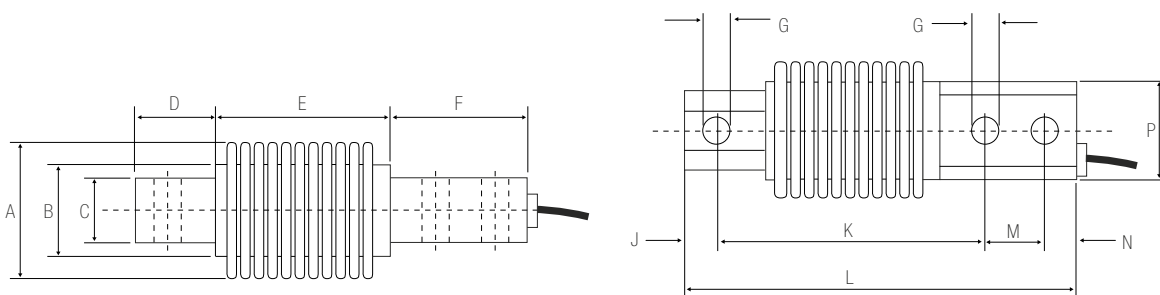
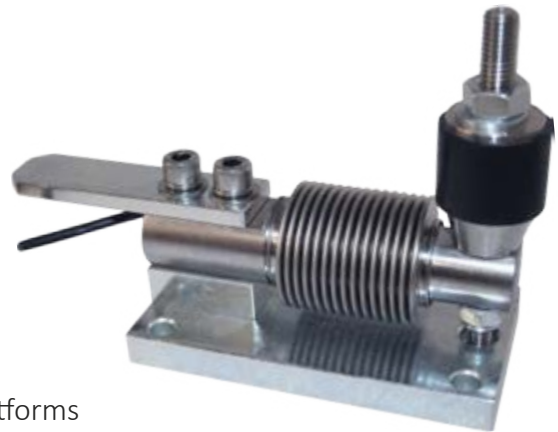
Capacity (t)	H	B	W	R	D	T	P
0.5, 1	21	4	10	50	59	M3x7	42
2, 5, 10, 20	35	5	20	150	98	M6x18	72

All dimensions in mm

Bellows Bending Beam

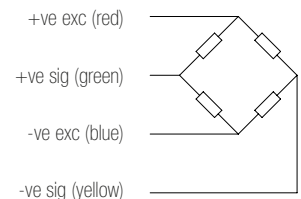
Internally gauged pins

- Hermetically sealed, fully welded construction
- Easy to install
- Ranges 10kg to 200kg
- Atex versions available
- Suitable for belt and tank weighing, bag fillers and platforms
- Easy installation



Specifications

Rated output	2±0.1% mV/V
Accuracy class	3000 n.OIML
Combined error	<±0.017 %
Non repeatability	<±0.015 %
Creep 30 mins	<±0.016 %
Temp effect on zero	<±0.001 %/°C
Temp effect on span	<±0.001 %/°C
Compensated temp range	-10 to +40 °C
Operating Temp. Range	-20 to +50 °C
Safe overload	150 %
Ultimate overload	200 %
Zero balance	<1 %
Input resistance	400±20 Ω
Output resistance	350±3 Ω
Insulation resistance	>5000 M@100VDC
Supply Voltage (nominal)	10 V
Max Voltage	15 V



Specifications subject to change without notice

Range 10-200Kg						
∅A	∅B	C	D	E	F	∅G
42	34	20	24,5	42	53,5	8,2
∅H	J	K	L	M	N	P
27	10	82	120	18	10	30

4m screened polyurethane cable, Construction 17/4/PH stainless steel

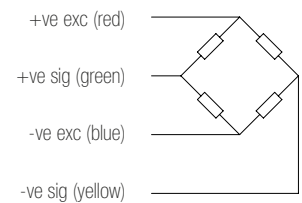
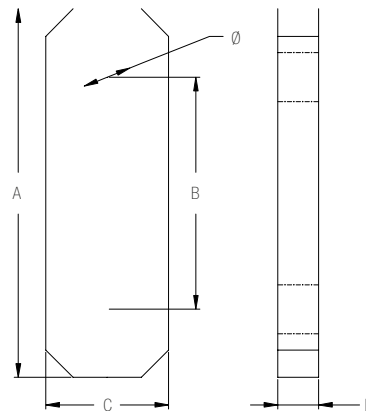
ATEX / IECEx Approved to
Ex ia IIC T6
Ex tD A20 IP68 T85C



ET Stainless Series

Underhook/Inline Load Link

- Range 1.5 to 25 tonne
- For use with standard shackle
- Robust Stainless Steel Construction
- Sealed to IP68



Specifications

Capacities:	1.5, 2.5, 5.0, 7.5, 10.0, 12.5, 15.0, 20.0, 25.0 T
Full Load Output:	1 (nominal) mV/V
Zero Load Output:	<±2.0 %
Excitation (Max):	10 (15) V
Accuracy:	<0.1 %
Repeatability:	<0.05 %
Input Resistance:	375 (±20) Ω
Output Resistance:	350 (±2) Ω
Compensated Temp. Range:	0 to +60 °C
Operating Temp.:	-10 to +80 °C
Temp. Coefficient on Zero:	<0.0010 % Capacity/°C
Temp Coefficient on Span:	<0.0010 % Capacity/°C
Safe Overload:	300 %
Insulation:	>500 @100VdcMΩ
IP class:	IP68

Specifications subject to change without notice

Type	A	B	C	D	Dia.
1.5 te	175	110	70	17	16
2.5/5 te	185	120	70	25	20/26
7.5 te	200	135	70	25	30
10/12.5/15 te	270	170	90	30	36/39/43
20/25 te	350	220	120	50	52

All dimensions in mm

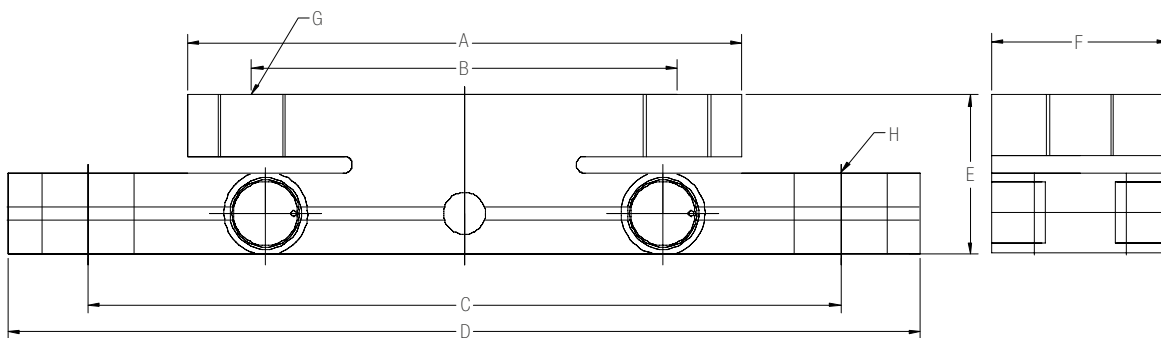
Options:

- Other ranges available on request
- Integral connector or fixed cable option.
- Carry case for transportation and storage of link available

Bolt-on

Chassis Mount Cell

- Low height
- Stainless load cell
- Sealed to IP68
- High accuracy

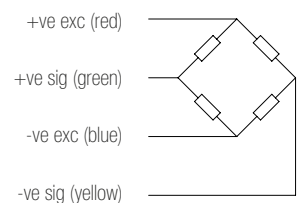


Specifications

Capacities:	10 T
Full Load Output:	1.2 ($\pm 0.25\%$) mV/V
Zero Load Output:	$< \pm 2.0\%$
Excitation (Max):	10 (15) V
Accuracy:	$< 0.05\%$
Repeatability:	$< 0.01\%$
Input Resistance:	750 (± 20) Ω
Output Resistance:	700 (± 2) Ω
Compensated Temp. Range:	-10 to +50 °C
Operating Temp.:	-20 to +70 °C
Temp. Coefficient on Zero:	$< 0.005\%$ Capacity/°C
Temp. Coefficient on Span:	$< 0.005\%$ Capacity/°C
Safe Overload:	150 %
Insulation:	$> 500 @ 100Vdc M\Omega$
Environmental Protection:	IP68

Options:

- Alternative capacities available on request.



Specifications subject to change without notice

Capacity (te)	A	B	C	D	E	F	G	ØH
10t	198	152	269	326	57	63	M24	33

All dimensions in mm

Tiger G2

Radio controlled lifting

Tiger has been developed for radio controlled lifting applications and can be used to control different types of cranes, EOT cranes, container cranes and more. When you control your application with Tiger you get qualities such as duplex communication, CANopen and Modbus - all in the same system. You also work with the maximum level of security since the system is equipped with an approved stop function, according to SIL 3, IEC 61508.

When it comes to technology, security, functionality and flexibility, Tiger fulfills the demands of controlling advanced lifting applications. The systems software can be easily modified. This means that we can adapt the system to fit your needs.

Furthermore, the Tiger system complies to a high safety standard and is CSA certified.



TX-6



Transmitters (Tiger)

10 button + display, 12 button

Joystick 2x2, Joystick 2x4

10 buttons + display		CE FC	12 buttons		CE FC
Article no.:	TG-T3-4-0000		Article no.:	TG-T3-5-0000	
Frequency:	433 MHz, 69 channels		Frequency:	433 MHz, 69 channels	
Battery:	Re-chargeable/ exchangeable		Battery:	Re-chargeable/ exchangeable	
Weight:	~ 300 g incl. batteries		Weight:	~ 300 g incl. batteries	
Dimensions:	~ 80 x 210 x 40 mm		Dimensions:	~ 80 x 210 x 40 mm	
Protection:	IP65		Protection:	IP65	
Relays:	Up to 10x2 functions		Relays:	Up to 12x2 functions	
Temperature:	-20 to +55°C		Temperature:	-20 to +55°C	
Code comb.:	4.2 B		Code comb.:	4.2 B	



Joystick 2x2		CE FC	Joystick 2x4		CE FC
Article no.:	TG-T4-11-0000		Article no.:	TG-T3-4-0000	
Frequency:	433 MHz, 69 channels		Frequency:	433 MHz, 69 channels	
Battery:	Re-chargeable/ exchangeable		Battery:	Re-chargeable/ exchangeable	
Weight:	~ 1200 g incl. batteries		Weight:	~ 1200 g incl. batteries	
Dimensions:	~ 210 x 140 x 130 mm		Dimensions:	~ 210 x 140 x 130 mm	
Protection:	IP65		Protection:	IP65	
Relays:	Up to 2x2 functions		Relays:	Up to 2x4 functions	
Temperature:	-20 to +55°C		Temperature:	-20 to +55°C	
Code comb.:	4.2 B		Code comb.:	4.2 B	



JOYSTICK 2X2 AND 2X4

Receivers (Tiger)

16 Relays, 32 Relays,

16 relays Anybus



16 relays



Article no.: TG-R1-1-0000
Frequency: 433 MHz, 69 channels
Power supply: Multi
Dimensions: ~ 256 x 217 x 85 mm
Protection: IP66
Relays: 16
Temperature: -20 to +55°C
Code comb.: 4.2 B

32 relays



Article no.: TG-R1-11-0000
Frequency: 433 MHz, 69 channels
Power supply: Multi
Dimensions: ~ 256 x 217 x 85 mm
Protection: IP66
Relays: 32
Temperature: -20 to +55°C
Code comb.: 4.2 B

16 relays



Article no.: TG-R1-6-0000
Frequency: 433 MHz, 69 channels
Power supply: Multi
Dimensions: ~ 256 x 217 x 85 mm
Protection: IP66
Relays: 16
Temperature: -20 to +55°C
Code comb.: 4.2 B

VETEC APS

Lucernemarken 18a DK-5260 Odense S
Phone. +45 65 91 98 02 Fax. +45 65 91 88 02
Email. post@vetec.dk
www.vetec.dk

VETEC ASIA PACIFIC PTE. LTD.

809 French Road Kitchener Complex
#06-164 Singapore 200809
Phone. +65 81 27 90 82 Email: ls@vetec.sg
www.vetec.sg