

MULTIrep family – The compact multiple repeater

Function

Using a repeater allows an enlargement of your PROFIBUS network until up to 126 devices and to create higher line lengths depending on the fieldbus transmission speed. Per segment a maximum of 32 devices (31 + repeater) is acceptable. The **MULTIrep** produces a voltage signal in two, five or even seven directions and raises the signals to the PROFIBUS standard level.

From the physical point of view the MULTIrep provides up to seven isolated segments. The integrated diagnosis via LED allows a simple troubleshooting in each segment.

Instruction for use

Using the MULTIrep creates up to seven galvanically isolated segments. For the purpose of diagnostic measurements a measuring point should be provided at the beginning and end of every segment. Therefore the PG interfaces at the 9-pin sub-D plugs can be used as measuring points.

If a segment ends or begins directly at the connections of the repeater, it is necessary to activate the bus terminating resistors at the plugs.

Fieldbus connection and termination

PROFIBUS is connected by a 9 pin sub-D socket (according to PROFIBUS guideline). If the segment ends or starts directly at repeater terminals, bus termination resistors have to be activated directly at the plugs.

Technical data

- Voltage supply: 24 VDC ±20%
- Power supply: 0,3 A
- Connection: 2-7 x 9-poliger Sub-D
- Baud rate: 9,6 kbps to 12 Mbps

General data

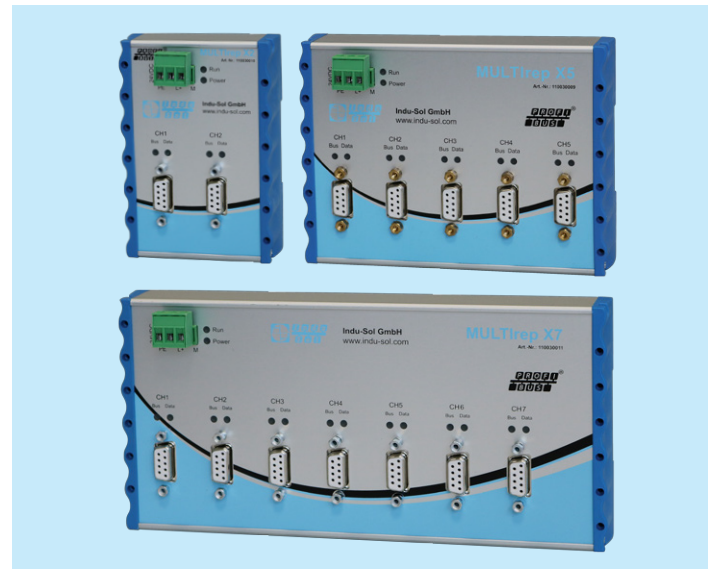
- Installation: 35 mm DIN top hat rail
- Dimensions (H x W x D):
 MULTIrep X2 - 105 x 75 x 40 mm
 MULTIrep X5 - 105 x 145 x 40 mm
 MULTIrep X7 - 105 x 212 x 40 mm
- Protective system: IP20
- Operating temperature: +5 °C to +55 °C
- Storage temperature: -20 °C to +70 °C
- PROFIBUS types: DP, DP-V1, FMS, MPI

Status LED

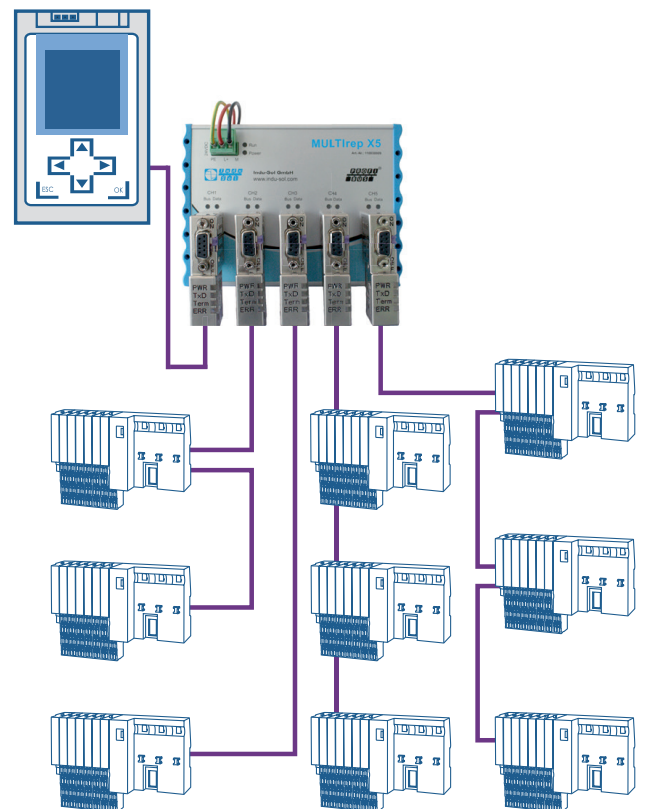
Bus: Status of the fieldbus per channel

- **Green:** Okay
- **Red:** Error telegram, telegram repetition, diagnostic message, device failure

- Data:**
- **Green:** Fieldbus activity on the channel
 - **Red:** Configured problems in PROFIBUS
 - **OFF:** No fieldbus activity



MULTIrep family



Example of use MULTIrep X5

Ordering details	Art. No.
MULTIrep X2	110030010
MULTIrep X5	110030009
MULTIrep X7	110030011