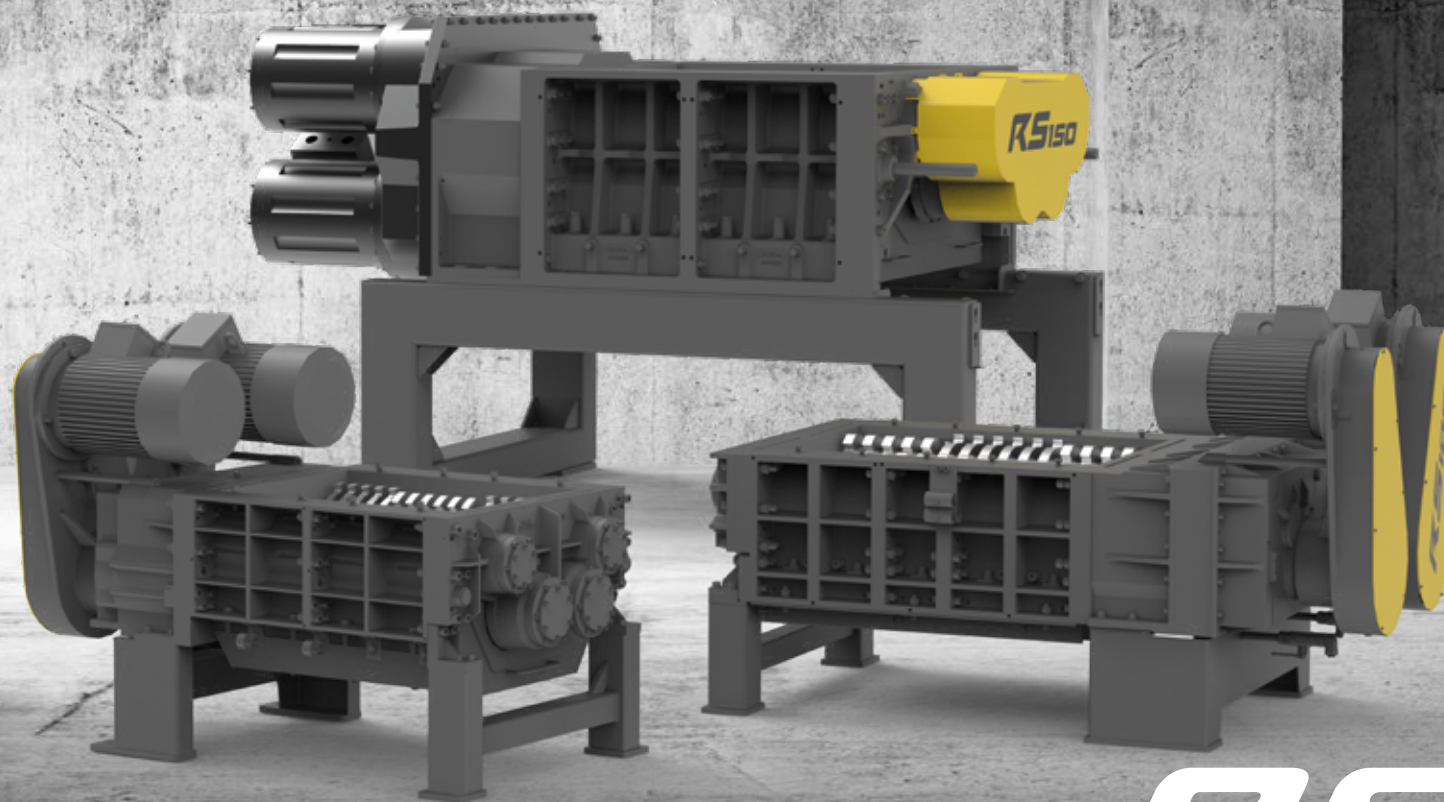


UNTHA

The reliable brand!



RS CLASS

50 | 60 | 100 | 150

4-shaft shredder for industrial recycling applications



RS50-100: The highest level of reliability for **the toughest applications**

Our sophisticated RS shredders are tested to within an inch of their life and are characterised by outstanding reliability, insensitivity to non-shreddables and a broad range of applications. Speeds, torques, cutting unit openings, cutting systems, screens and sealing options may be combined on an individual basis, thanks to a modular building block system. With its robust structure and powerful, resilient cutting system, these shredders are particularly suitable for multi-shift, permanent operations.

Suitable for

- » Aluminium profiles
- » Automobile interior linings
- » Banknotes
- » Batteries
- » Car bumpers
- » Cardboard
- » Carpets
- » Dashboards
- » Dishwashers
- » Electric cookers
- » Electronic scrap
- » Fibre cement panels
- » Foils
- » Medical waste
- » Metal barrels
- » Metal shavings
- » Metals
- » Oil filters
- » Organic waste
- » Packaging
- » Paper
- » Paper rejects
- » Plasterboard
- » Plastic barrels
- » Plastic bottles
- » Plastic containers
- » Production waste
- » Punching scrap
- » Radioactive waste
- » Rubber waste
- » Shredder Light Fraction (SLF)
- » Sprung mattresses
- » Tetra Paks
- » Textiles
- » Tin cans
- » Toxic waste
- » Waste bins
- » Workshop waste
- » and much more

The tried-and-tested UNTHA 4-shaft cutting system

4-shaft cutting system:

The tried-and-tested, patented 4-shaft cutting system was developed specifically for tough challenges. The cutting discs are resistant to non-shreddable items, designed for intense, continuous operation and are particularly economical due to their long service life.

Individually adaptable

The cutting system may be customised to suit the input material.

Slow-running cutting system

The cutting system is particularly resistant towards metal non-shreddables and stands out for its low dust and noise production.

Low-wear screen

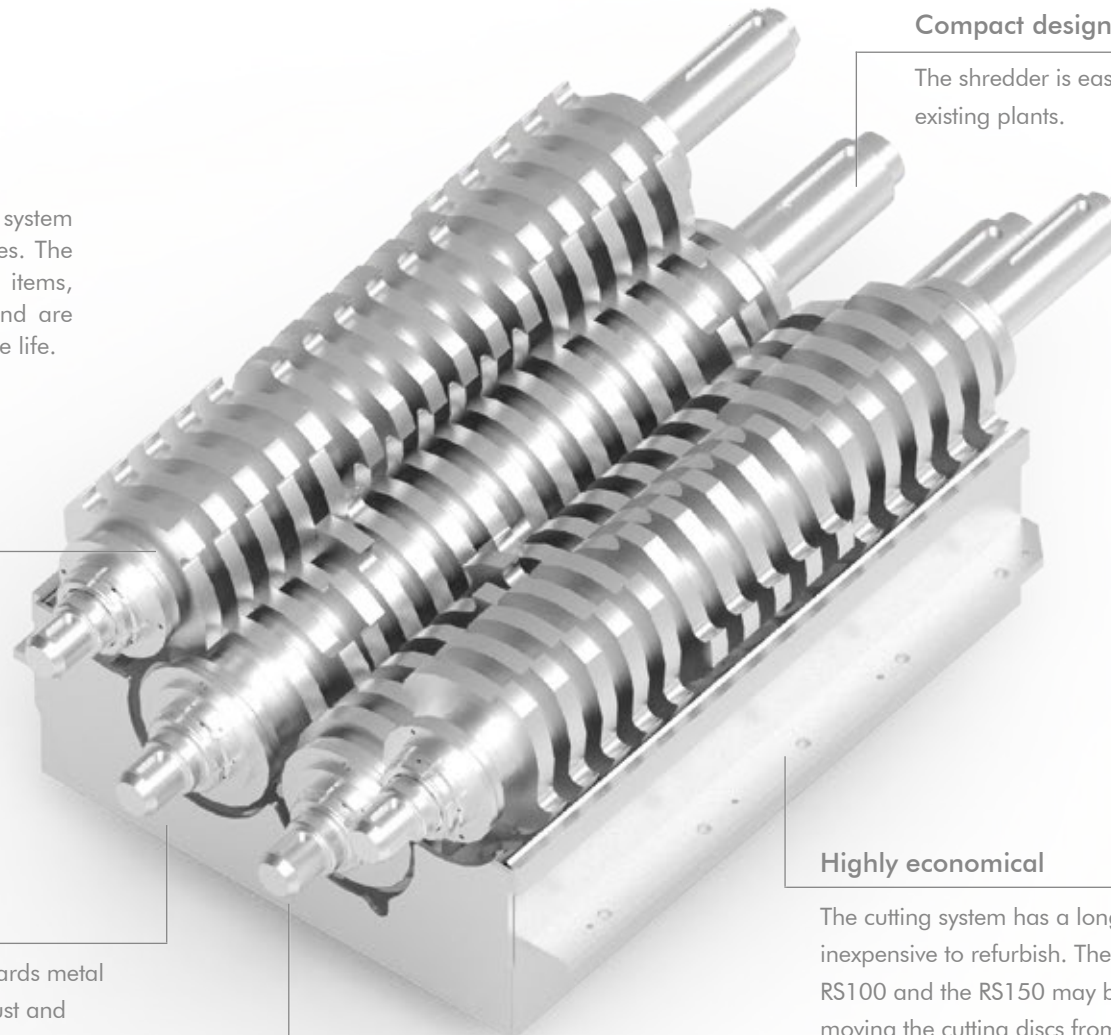
The screen ensures a defined fraction size and is easy to exchange thanks to the quick-change screen system.

Compact design

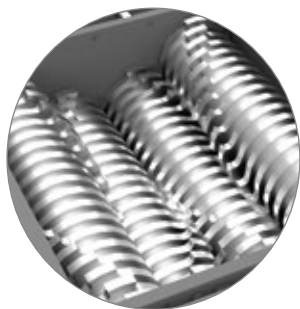
The shredder is easy to integrate within existing plants.

Highly economical

The cutting system has a long service life and is inexpensive to refurbish. The service life of the RS100 and the RS150 may be extended further by moving the cutting discs from the secondary to the main shaft (and vice versa).



Your benefits at a glance



Economical cutting system

The material is pulled in by the cutting system, eliminating the need for a ram device. The four-shaft cutting system ensures a high torque, has a long service life and is highly resistant towards non-shreddables. The low speed keeps noise and dust production to a minimum. Thanks to the wide range of available cutting systems, the shredder may be adapted to suit the input material.

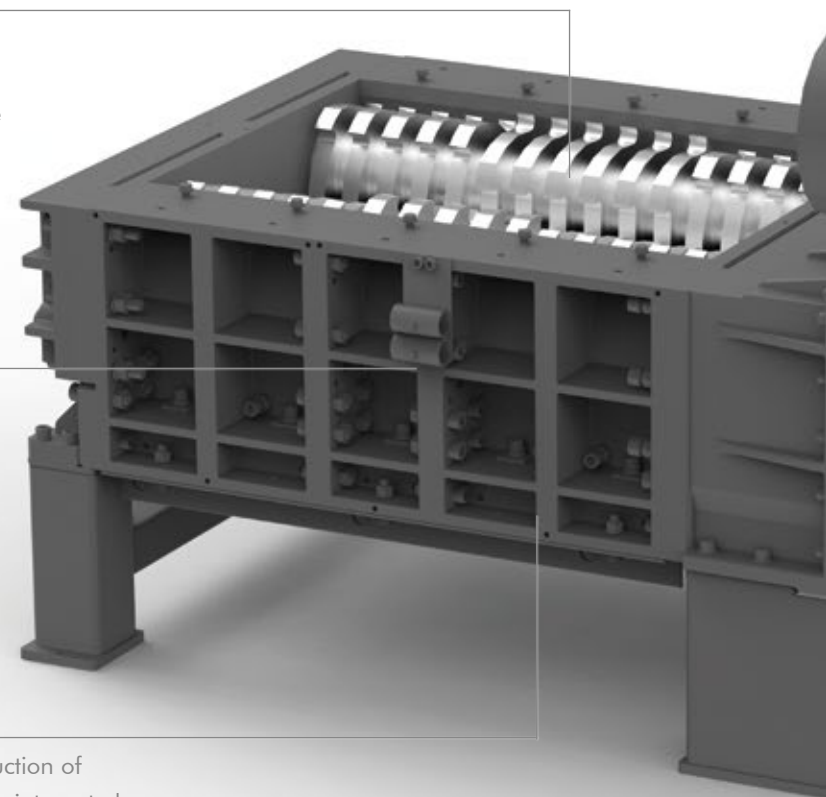
Long machine lifespan

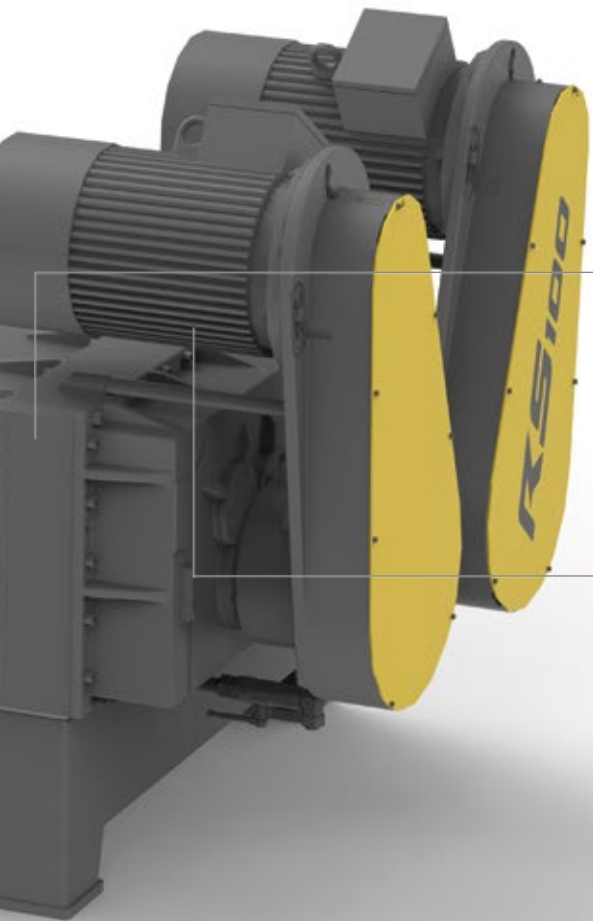
The robust steel frame construction and the bulkhead walls in the cutting chamber ensure a long lifespan for the machine. A multi-layer sealing system prevents dirt from entering gears and bearings.



Defined fraction size

Depending on the requirements, a range of different screens ensures the production of pre-defined fractions. The large screen area achieves high throughput rates. An integrated quick-change screen system makes the screen easy and quick to exchange.





Electronic protection systems

The automatic detection of non-shreddables with a shut-off function and the automatic reverse function in case of engine overload, protect the drive unit against damage.

Reliable drive system

The staggered start-up of two motors reduces current and power peaks. A reliable toothed belt drive and optimised gear ratio make for a high torque of the cutting discs. The streamlined structure (no hydraulic system; no couplings) makes this machine even more fault-resistant and keeps maintenance levels to a minimum.

Options

Mechanical extras

- » Automated central lubrication system
- » Shaft ventilation for a longer service life of the cutting system
- » Dynamically pre-tensioned cutting system for the quick and easy exchange of cutting discs
- » Exchangeable wear plates
- » Special sealing of the shaft using stuffing boxes
- » Large selection of cutting discs

Electrical extras

- » Frequency converter for the continuous adjustment of speed to the input material and the reduction of power peaks when starting up the machine
- » Control system upgrade (light barrier, superordinate control system, BUS system, etc)
- » Integration of peripheral devices into the control system

Services

- » UNTHA GENIUS
- » UNTHA Carefree Packages (Basic, Standard, Professional)
- » Extended warranty period

Accessories

- » Hydraulic ram system for the improved infeed of bulky materials
- » Suction hood with or without screw conveyor
- » Customer-specific feed hoppers and undercarriages
- » Range of discharge feed systems (conveyor belts, screw conveyors, etc)



UNTHA test centre

UNTHA operates a state-of-the-art R&D centre where tests using customer-specific materials are simulated under real-life conditions. The customer, whose individual requirements we strive to meet in the best possible way, is at the centre of everything we do.

The test centre enables us to gather important experiences for real-life usage upfront, which means that with this knowledge we can offer our customers the best shredding solution for their needs.

Use this opportunity to schedule a trial run here with us!



RS150: The intelligent power package for **extraordinary** requirements

The RS150 is UNTHA's largest 4-shaft shredder and was specially developed for tough applications that require high throughputs, a high availability and low operating costs.

The crowning glory of this shredder is the energy-saving UNTHA Eco Power Drive. The drive concept ensures that the cutting shafts stop immediately when non-shreddable material is detected to prevent damage to the cutting system. In addition, this drive concept allows for frequent reversing - a non-

negotiable when it comes to shredding problematic materials. Thanks to speed-adjustable cutting shafts, it is possible to constantly adjust the throughput to match the material to be shredded in the best possible way. Unlike with fast-running systems, there are no wear parts such as couplings, belts, shear pins or flywheels, which reduces vulnerability to faults to a minimum. High availability, outstanding efficiency, low energy consumption and straightforward maintenance make the RS150 the absolute winner in its class.

Suitable for

- » **Non-ferrous scrap:** profiles, sheet metal, casings, aluminium rims, pipes, etc
- » **Waste electrical and electronic equipment (WEEE):** IT and telecommunications devices, consumer electronics, electrical and electronic tools, etc
- » **Hazardous waste:** full metal barrels and IBCs, radioactive waste, workshop waste, batteries, hybrid cells, hospital waste, etc
- » **Cables:** copper, aluminium, etc
- » **Tough applications:** sprung mattresses, reject material, etc

Your benefits at a glance

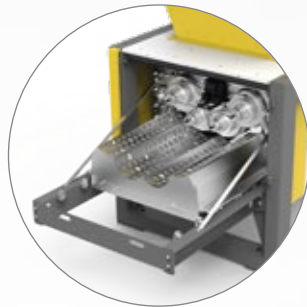


Economical cutting system

The material is pulled in by the cutting system, eliminating the need for a ram device. The slow-running cutting system keeps noise and dust levels low. The cutting systems are pre-tensioned using spring assemblies, ensuring a constantly high level of stability during cutting. They reduce the shock resulting from non-shreddables, thereby protecting the entire drive train. The robust cutting discs made from forged materials significantly increase the wear interval.

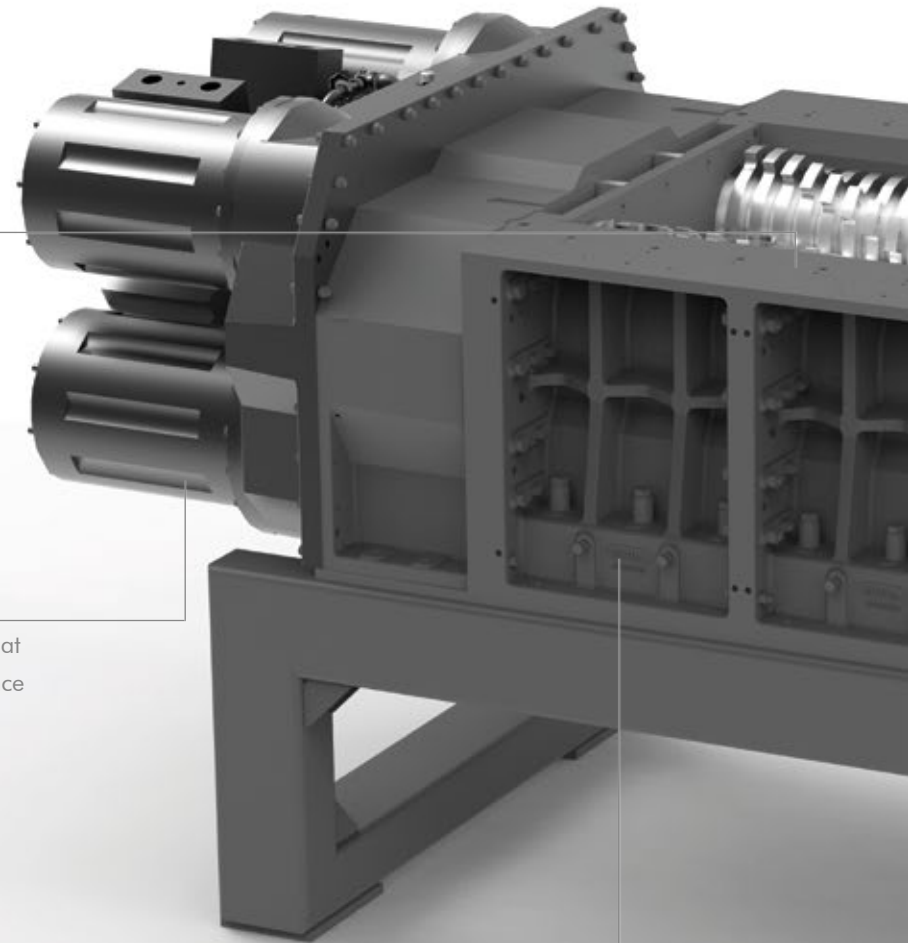
Energy-saving UNTHA Eco Power Drive

The drive system with a water-cooled synchronous engine ensures an unprecedented low energy use at higher performance compared to standard drive types. The wear-free direct drive reduces maintenance costs as belts are not required. The load-dependent speed control ensures a high throughput rate.



Defined fraction size

A low-wear screen made from Hardox ensures a defined fraction size. The large screen area achieves high throughput rates. An integrated quick-change screen system makes the screen easy and quick to exchange.





High level of user-friendliness

The machine is operated via a 7" colour touch display visualising all relevant operating statuses and error messages. If the input material changes, the machine settings may be adjusted accordingly by means of pre-defined programmes.

Long machine lifespan

A torsion-resistant machine frame with solid steel profiles ensures low-vibration operation. The robust cast-steel casing and bulkhead walls with integrated wear plates in the cutting chamber, make for a long lifespan of the machine. A multi-layer sealing system prevents dirt from entering gears and bearings.

Options

Mechanical extras

- » Large selection of cutting discs
- » Automatic central lubrication

Electrical extras

- » Control system upgrades (signal exchange, SE switch, filling level control, etc)
- » Integration of peripheral devices into the control system
- » Automatic start

Services

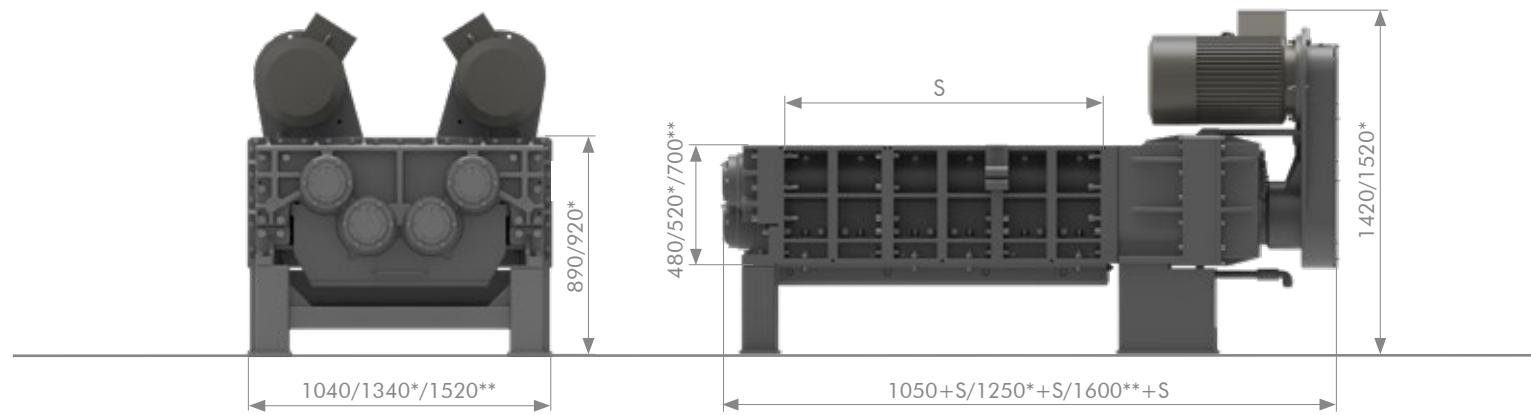
- » Extended warranty period
- » Maintenance contracts
- » UNTHA GENIUS
- » UNTHA Carefree Packages (Basic, Standard, Professional) ensure that machines are technically sound and ready for use at all times

Accessories

- » Double-walled hopper
- » Hydraulic ram system for the improved infeed of bulky materials
- » Range of discharge feed systems (conveyor belts, screw conveyors, etc)

RS50/60/100

4-shaft shredding system

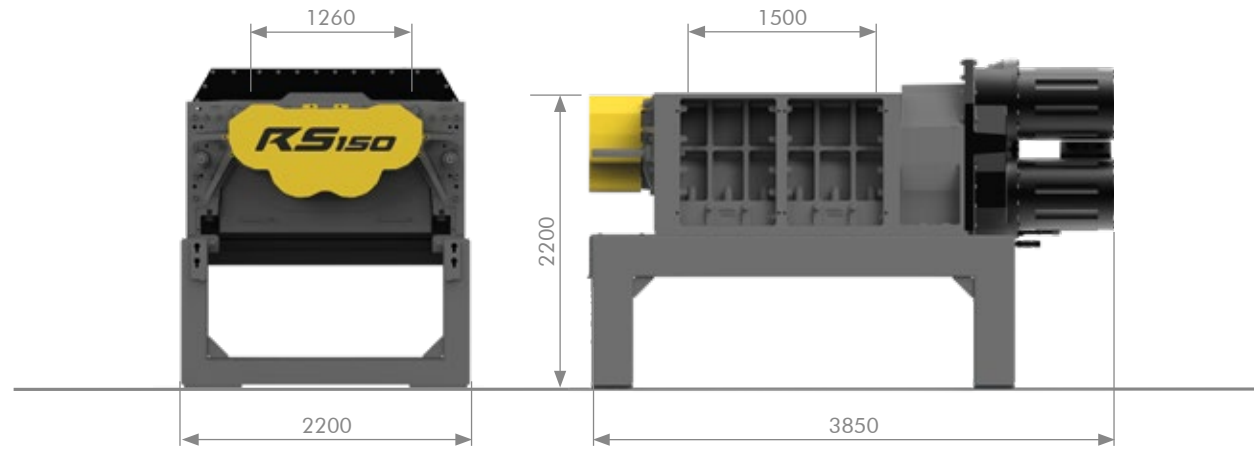


TECHNICAL DATA		RS50	RS60*	RS100**
Rated capacity	kW	44/50/60	60/74	110/150
Cutter clearance (S)	mm	750/960/1.230 x 700	960/1.200/1.440 x 860	1.200/1.500 x 1.020
Number of shafts	pcs	4	4	4
Speed of the main shafts	rpm	21 - 29	17 - 21	20 - 28
Speed of the secondary shafts	rpm	32 - 43	21 - 25	21 - 29
Ø perforated screen	mm	15 - 40	20 - 100	20 - 100
Belt drive		Yes	Yes	Yes
Weight	kg	3.200 - 3.500	5.500 - 6.000	10.000 - 11.000

All dimensions in mm

RS150

4-shaft shredding system



TECHNICAL DATA		RS150	
Rated capacity	kW	4 x 80	4 x 45
Cutter clearance (S)	mm	1.500 x 1.260	1.500 x 1.260
Number of shafts	pcs	4	4
Speed of the main shafts	rpm	22 - 30	25
Speed of the secondary shafts	rpm	25 - 34	28
Ø perforated screen	mm	40 - 100	40 - 100
Direct drive		Yes	Yes
Drive type		UNTHA Eco Power Drive	UNTHA Power Drive
Weight	kg	ca. 22.000	ca. 22.000

All dimensions in mm

UNTHA shredding technology GmbH

Kellau 141
5431 Kuchl | Österreich
Tel.: +43 6244 7016 0
Fax: +43 6244 7016 1
info@untha.com
www.untha.com

UNTHA Deutschland GmbH

Am Hammersteig 5a
97753 Karlstadt | Deutschland
Tel.: +49 9353 906869-0
Fax: +49 9353 906869-35
info@untha.de
www.untha.de

UNTHA UK Ltd.

Excel House, Becklands Close
Boroughbridge
YO51 9NR | United Kingdom
Tel.: +44 845 4505 388
Fax: +44 845 4505 389
sales@untha.co.uk
www.untha.co.uk

UNTHA America, Inc.

1 Lafayette Road, Building 4
Hampton, NH 03842 | USA
Tel.: +1 603 601 2304
Fax: +1 603 601 7573
info@untha-america.com
www.untha-america.com

UNTHA Polska Sp. z o.o.

Olecka 23/221
04-980 Warszawa | Polska
Tel.: +48 12 6421896
Fax.: +48 12 6421896
info@untha.pl
www.untha.pl

UNTHA Ibérica S.A.

Polígono de Sigüeiro - Parcela 58, Sigüeiro - Oroso / A
Coruña | España
Tel.: +34 981 69 10 54
Fax: +34 981 69 08 78
info@untha-iberica.com
www.untha.es

5 reasons to choose UNTHA



Customised, long-lasting shredding solutions



Premium quality products and services



All-encompassing expertise, from development to production, under one roof



Reliable customer service with the best technical know-how



More than 10,000 satisfied reference customers worldwide

We deliver what we promise

Since our founding in 1970, we've followed our promise of being "the reliable brand", which applies to every product and service that UNTHA delivers.

We work hard to consistently outperform our competitors, and provide customers with the confidence that – in choosing UNTHA – they have made the best decision for their business.

All revisions reserved. Subject to setting and printing errors.
All illustrations are representative and may deviate from the actual product.
© 11/20 UNTHA shredding technology