

energy
sheet



We make more from energy!

Technical data

Fired heaters

wtö 200 – 2250 kW (horizontal design)



CHR. MØLLER A/s

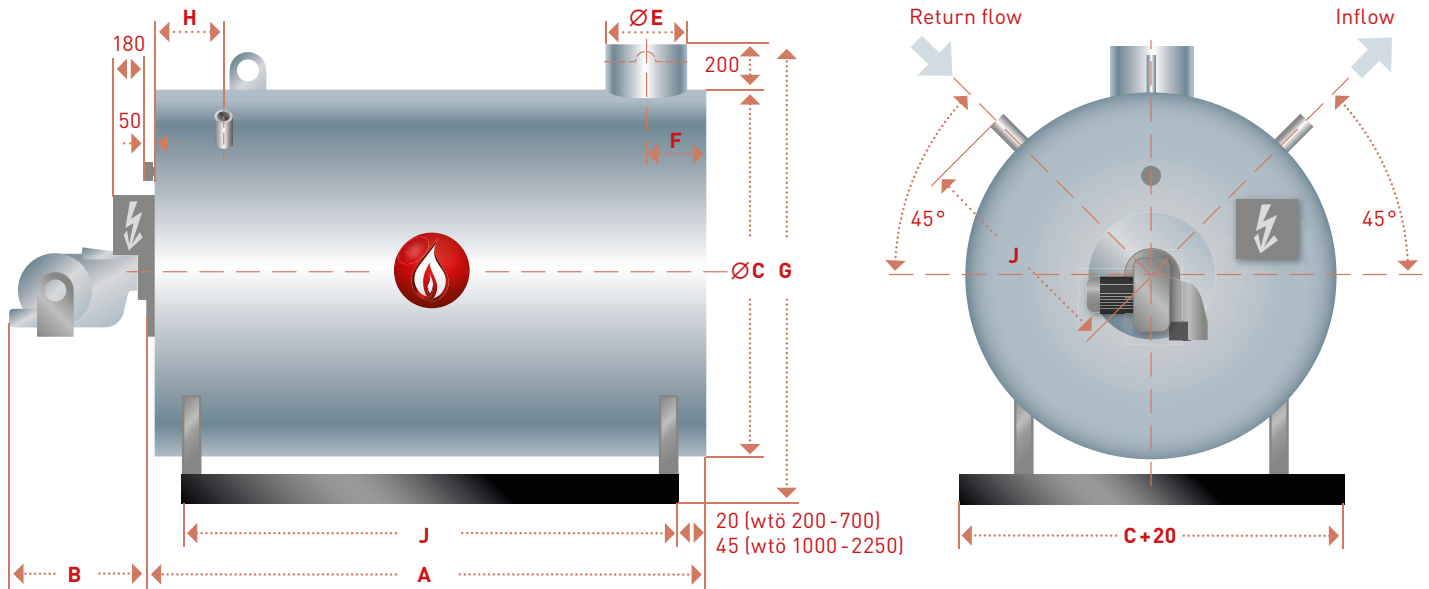
Tåsingevej 4
DK 5800 Nyborg
+45 65 99 10 99
info@chrmoeller.dk
www.chrmoeller.dk

Dimension sheet fired heaters

wtö 200 – 500 kW horizontal design



We make more from energy!



Type	Capacity [kW]	A +20 / -15	B*		ØC	ØE	F	G	H	J	Inflow/ Return flow		Content [ltr.]	Weight net [kg]
			EL	Gas							[Ø 14]	[Ø 16]		
wtö 200	200	1445	540	685	1015	180	213	1355	215	675	42.4	48.3	116	700
wtö 300	300	1545	540	805	1100	180	213	1440	230	715	48.3	63.5	155	750
wtö 400	400	1855	645	805	1100	250	248	1440	232	715	57.0	63.5	220	830
wtö 500	500	1965	645	859	1310	250	248	1650	235	820	63.5	76.1	355	1140

Dimensions in mm / Caution: Dimensions may deviate in case of order.

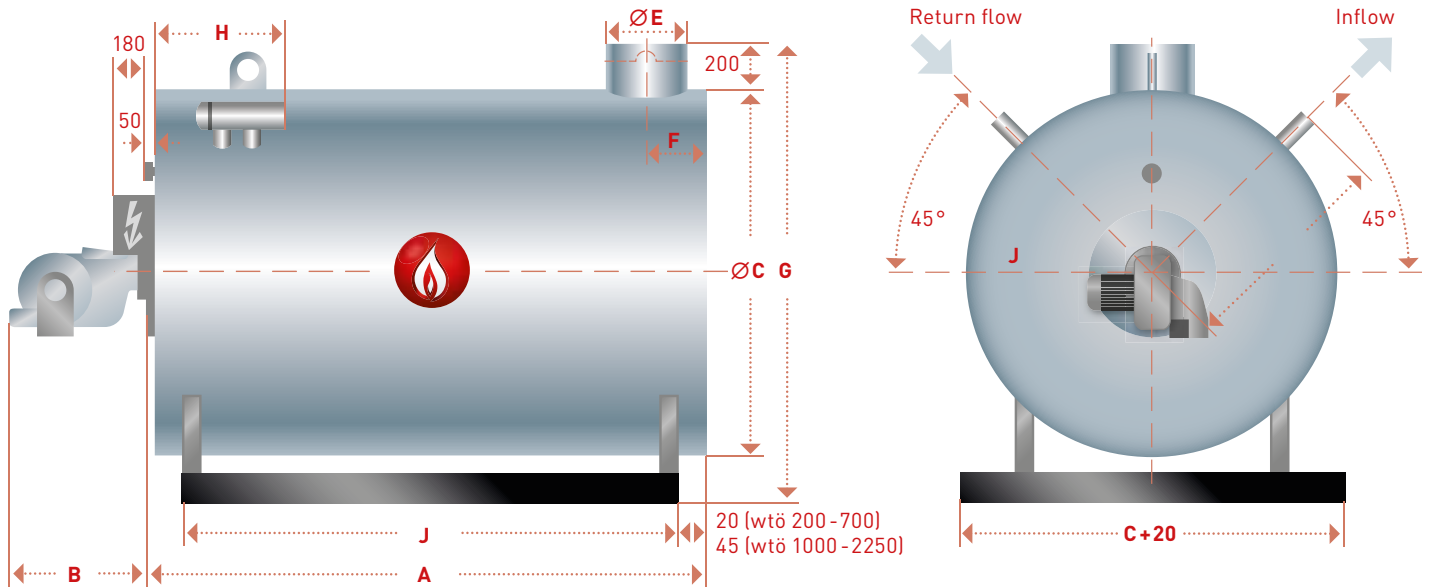
*Only to apply to burner Weishaupt.

Dimension sheet fired heaters

wtö 700 – 2250 kW horizontal design



We make more from energy!



Type	Capacity [kW]	A +20 / -15	B*		ØC	ØE	F	G	H	J	Inflow/ Return flow	Content [ltr.]	Weight net [kg]
			EL	Gas									
wtö 700	700	2335	680	859	1455	300	275	1795	630	900	88.9	440	1650
wtö 1000	1000	2615	764	950	1665	400	325	2045	645	1017	114.3	720	2340
wtö 1250A	1250	2815	764	950	1685	426	345	2065	645	1027	114.3	870	2780
wtö 1250B	1250	2815	764	950	1685	426	345	2065	680	1030	139.7	930	2840
wtö 1750A	1750	3435	766	1150	1890	426	345	2270	680	1128	114.3	1360	3850
wtö 1750B	1750	3435	766	1150	1890	426	345	2270	690	1142	139.7	1400	3850
wtö 2250A	2250	3495	945	1150	2160	517	385	2540	695	1277	139.7	1760	4900
wtö 2250B	2250	3495	945	1150	2160	517	385	2540	695	1277	168.3	2050	5350

Dimensions in mm / Caution: Dimensions may deviate in case of order.

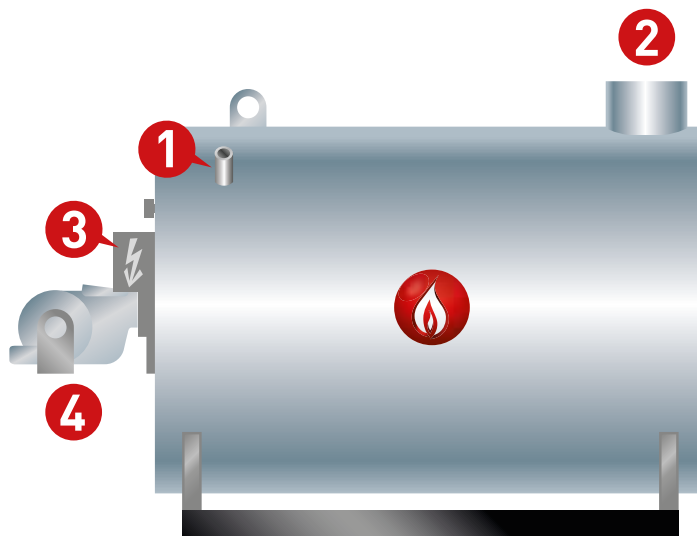
*Only to apply to burner Weishaupt.

Dimension sheet fired heaters

wtö 200 – 2250 kW horizontal design



We make more from energy!



- 1 Inflow
- 2 Flue gas connection
- 3 Junction box
- 4 Burner

Construction

Max. allowable temperature (TS): 300/350/max. 400 °C

Max. allowable pressure (PS): 10/max. 21 bar

Material

Metal plates:

P 265 GH/S 235 JR
(old: H II/St 37-2)

Pipes: P 235 G1 TH/P 235 G2
(old: St 35.81/St 37.81)

Flanges: C22.8

Installation according to:

- ZTA heating room recommendation
- DIN 4754 (German Standard "Heat transfer plants")
- Building regulations

Maintenance space on all sides appr.
800 mm

Caution: Dimensions may deviate in case of order.

Dimension sheet fired heaters
wtö 200 – 2.250 kW horizontal design



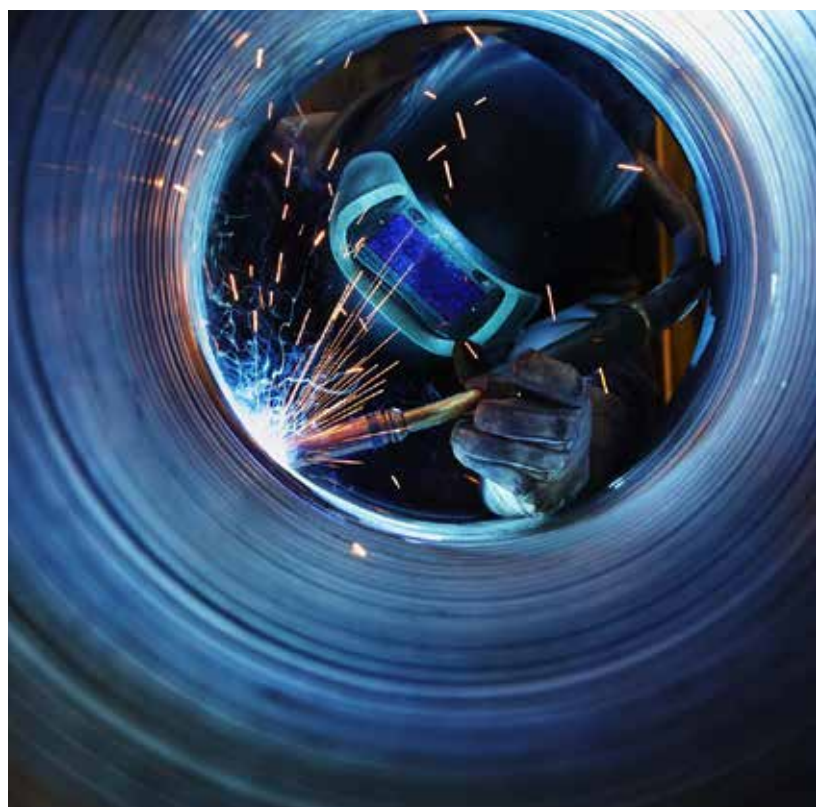
We make more from energy!



Dimension sheet fired heaters
wtö 200 – 2.250 kW horizontal design



We make more from energy!



Dimension sheet fired heaters
wtö 200 – 2.250 kW horizontal design



We make more from energy!

