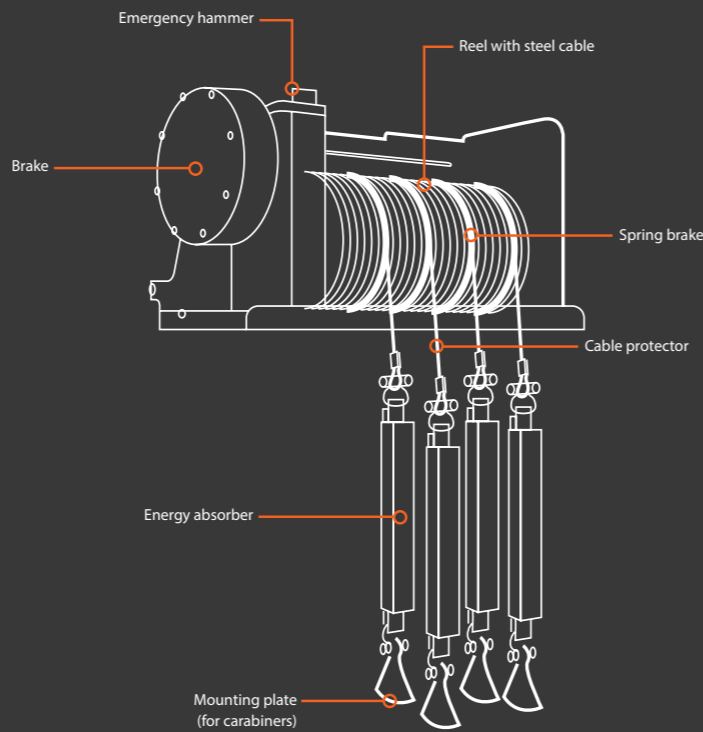


BENEFITS

- The EVACUATOR™ is located inside the building and provides a means of escape via the outside
- The descent is fully controlled at a speed of one metre per second
- Intended for people and organisations responsible for safety at heights
- No electricity required: the EVACUATOR™ is automated and independent, and therefore guaranteed to work at all times
- Immediately ready to use in case of emergency
- Easy to use, compact and affordable
- Several installation options
- Currently engineered for buildings of up to 300 metres in height
- Each reel enables four persons to descend to safety. The maximum load per reel is 254kg
- Developed, engineered and manufactured by professional organizations in the Netherlands: Dutch design
- PCT patent pending
- Approved by the German inspection institute DEKRA and EN341 certified for 33 European countries
- Installation, training and annual inspection by an independent service provider, certified by Evacuator WorldWide BV
- Five-year warranty



AVAILABLE IN THREE MODELS

- Type 1** 6 - 50 m, max. 16 persons (4 reels)
- Type 2** 6 - 140 m, max. 8 persons (2 reels)
- Type 3** 6 - 300 m, max. 4 persons (1 reel)

Standard size W 67 x D 27 x H 32 cm

AVAILABLE IN MULTIPLE COLOURS



CERTIFIED FOR 33 EUROPEAN COUNTRIES



Approved by the German inspection institute DEKRA and certified for 33 European countries: EN341.

SAFETY WITHIN YOUR REACH

The ultimate means of rescue is now available. The EVACUATOR™ guarantees that your family, co-workers or employees are safe.

Whatever happens! Complete peace of mind right from the start. Because you know it's there and you can rely on it.

MAKE AN APPOINTMENT WITH YOUR LOCAL RESELLER TODAY FOR A RECOMMENDATION THAT FULLY FITS YOUR NEEDS

WWW.EVACUATOR.COM



EVACUATOR™

"HOW CAN I ESCAPE IN CASE OF EMERGENCY?"

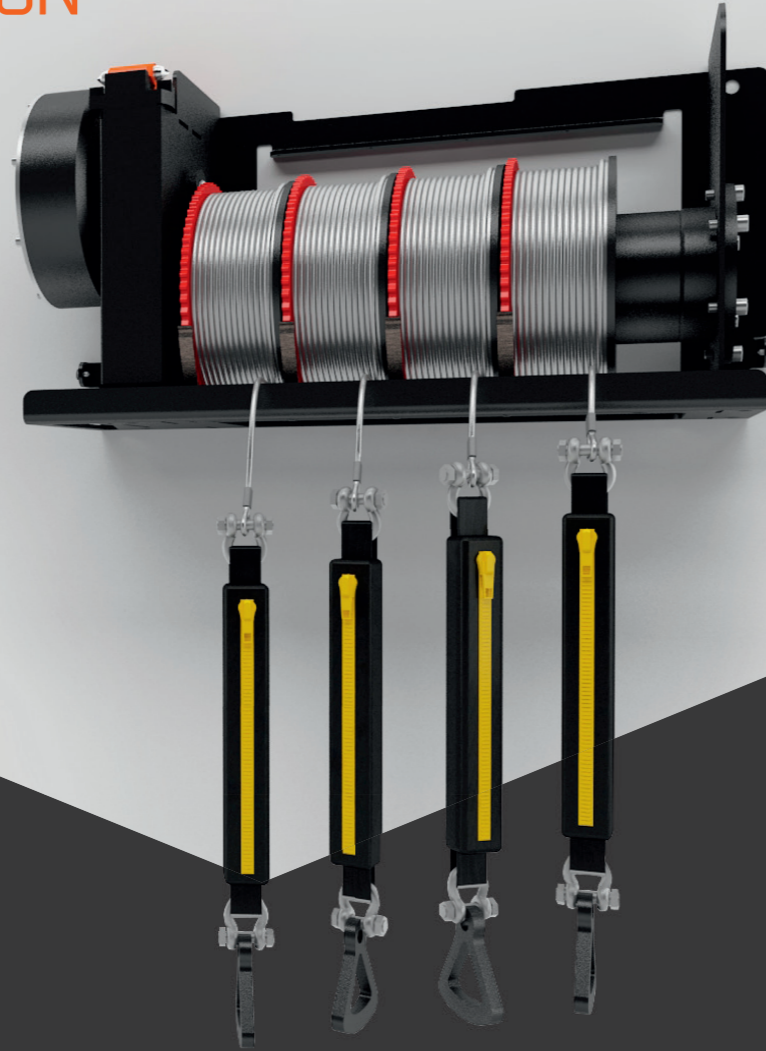
SAFETY WITHIN YOUR REACH

Disasters are the worst thing that can happen to us. We are usually not able to prevent them, but we owe it to ourselves to learn from these experiences and try to make the world a safer place – for ourselves and for our loved ones. That is what we did after 9/11. Following an idea, we developed a device to help people escape from a burning building safely. A last resort for when there is nowhere to go. An ingenious idea now has a shape and name: **THE EVACUATOR™. THE ULTIMATE LAST RESORT.**



FROM INGENUOUS IDEA TO SIMPLE APPLICATION

When there's a fire, people are afraid and tend to panic. Unfortunately, this means that they are not able to think clearly or perform complicated actions. With the EVACUATOR™, this is not necessary. The underlying idea is simple, and the execution is even simpler. The aesthetically designed housing contains reels with steel cables. Each cable allows four people to descend at the same time, provided their combined weight does not exceed 254kg. Just put on the safety harness and latch on to the central connecting hook. Next, sit in the window with up to three other people, and the EVACUATOR™ will lower you in a controlled fashion. The EVACUATOR™ is fully mechanised and is not dependent on electrical power or any other utility. It is therefore guaranteed to work safely at all times.



“After 9/11 and several other tragic events, we wondered why no-one was offering a simple solution for evacuations from great heights. The EVACUATOR™ does exactly what it promises: It helps to prevent deaths in case of an emergency.”

Evacuator WorldWide BV

WHO WOULD BENEFIT FROM THE EVACUATOR™?

Anyone who works or lives at a high altitude or is responsible for the safety of people who do. When you are high up, the EVACUATOR™ is the perfect solution. Wouldn't you rather be certain of your safety?



EXISTING HIGH-RISE BUILDINGS

- Owners
- Tenants
- Owners-occupiers' associations
- Housing corporations
- Hotels



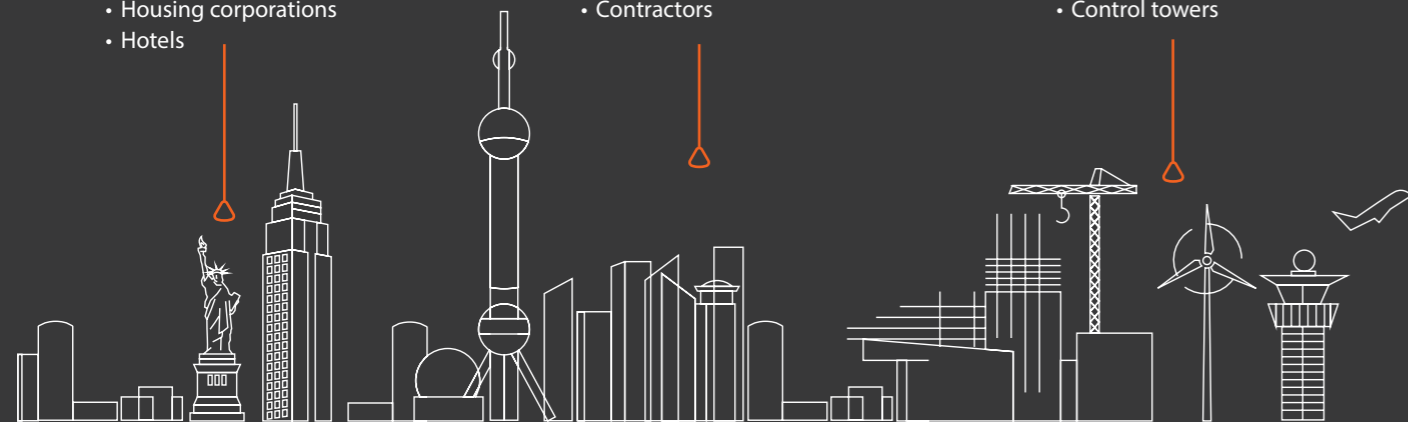
HIGH-RISE BUILDINGS UNDER CONSTRUCTION

- Developers, builders
- Architects
- Draughtspersons
- Contractors



OTHER STRUCTURES

- Wind turbine manufacturers
- Offshore companies
- Cruise ships
- Tower cranes
- Control towers



EASY TO USE, COMPACT, AFFORDABLE, REVOLUTIONARY

The EVACUATOR™ is a unique and revolutionary means of saving people who live and work at altitudes ranging from 6 to 300 metres. In case of fire, the elevators automatically switch off and the emergency exits fill up with smoke. But the EVACUATOR™ can always take you to safety by allowing you to descend on a steel cable in a controlled manner – on the outside of the building and well away from the fire. You descend automatically at a speed of one metre per second and reach the ground quickly and safely. This literally makes the EVACUATOR™ your lifeline. Anyone who works or lives at a high altitude or is responsible for the safety of people who do. When you are high up, the EVACUATOR™ is the perfect solution. Wouldn't you rather be certain of your safety?



INVENTED IN THE NETHERLANDS

Our safety product delivers what it says. The EVACUATOR™ is the last means of evacuation in situations where lives are at stake. It can be used to save anyone: the old, the young, the disabled, and even pets. And with its optional accessories, the EVACUATOR™ can tackle for every type of emergency. It is a compact, affordable and easy-to-use means of escape that is guaranteed to work at all times. A perfect solution which was long overdue.

ENGINEERED IN THE NETHERLANDS

The development from simple idea to ingenious product was performed in the Netherlands. Using the computing power of one of the world's most advanced engineering companies, the EVACUATOR™ was calculated, modelled and tested in minute detail. It was put into operation only after it had been approved by the German inspection institute DEKRA and awarded EN341 certification for 33 European countries.

MANUFACTURED IN THE NETHERLANDS

Evacuator WorldWide BV has specifically chosen the Netherlands as its manufacturing location. This safeguards quality throughout the manufacturing process. A worldwide network of resellers supervise the strict requirements Evacuator WorldWide BV imposes when it comes to distribution, installation, training and maintenance.