

Filter Systems - Dust Extraction Systems - Silo Systems

# SPRAY BOOTHS/WALLS

Type ASB/ASV Dry Filter

Finishing Lines - Spray Machines - Rotary Valves



Spray Booths - Drying Ovens - Surface Treatment Plants

Aagaard spray booths are manufactured in a range of standard sizes fitted with Andrea dry filter and/or paint stop filter. It is possible to fit the booth on the inside with an extra return air filter. The filter is easily replaceable and is supplied in 9.1 m length. The spray booth may be supplied with a top or rear exhaust connection depending on the physical conditions in the building.

Other filter types can be supplied according to your wishes. It is also possible to supply the spray booths with built-in explosion-proof lighting fixture.

#### Quality - Know-how - Service

Aagaard A/S design, manufacture and install all types of pollution control systems and finishing lines for the woodworking industry.

If you would like additional information, advice or a quotation, please contact us.

Remember, our know-how is at your service.

**AAGAARD**



**FINNROSE**

**AAGAARD A/S**

A/S reg. no. 249916

Smedevænget 14 . DK-9560 Hadsund

Phone +45 96 531 200

Telefax +45 98 57 42 15

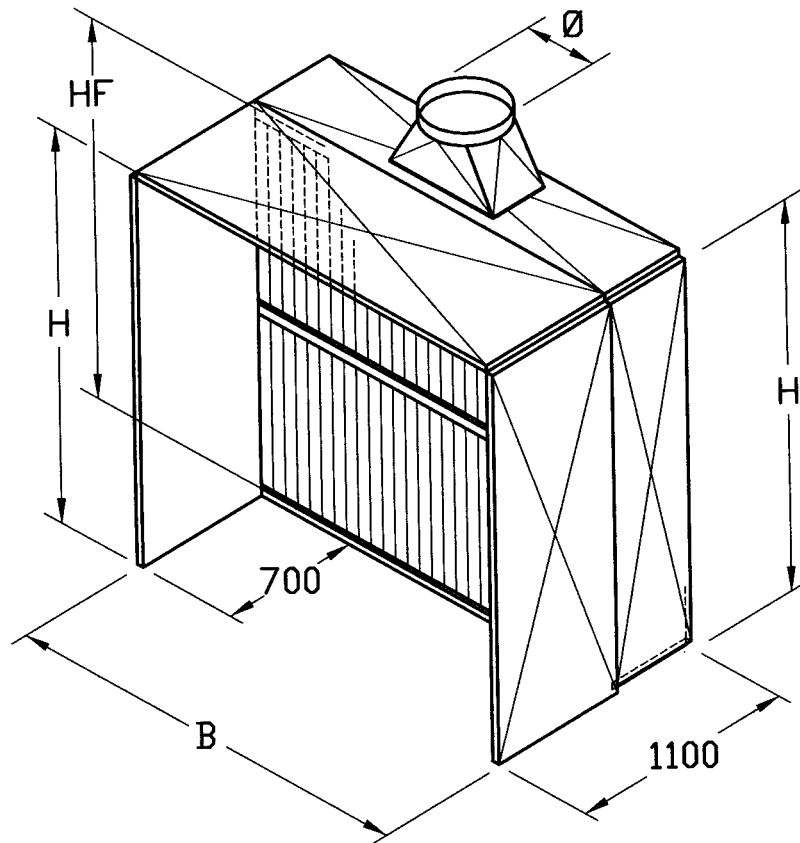
mail@aagaard-systems.dk

www.aagaard-systems.com

Fans - Cyclones - Pipe Systems

# TECHNICAL DATA

## Spray Booths/Walls type ASB/ASV with dry filter



Type	B mm	Booth Number	Wall Number	HF mm	H mm	Air qty m <sup>3</sup> /hr	ø mm
ASB/V 1100 ASB/V 1100 H	1100	140000 140001	144100 144101	1840 1840	2000 2500	3800 4200	300 400
ASB/V 1800 ASB/V 1800 H	1800	141000 141001	144200 144201	1840 1840	2000 2500	6200 6800	400 400
ASB/V 2100 ASB/V 2100 H	2100	142000 142001	145001 145002	1840 1840	2000 2500	7200 8000	400 400
ASB/V 2800 ASB/V 2800 H	2800	143000 143001	146001 146002	1840 1840	2000 2500	9600 10600	500 500
ASB/V 3500 ASB/V 3500 H	3500	144000 144001	147001 147002	1840 1840	2000 2500	12000 13300	2x400 2x400
ASB/V 4200 ASB/V 4200 H	4200	140100 140101	148001 148002	1840 1840	2000 2500	14400 15900	2x500 2x500
ASB/V 4900 ASB/V 4900 H	4900	140200 140201	149001 149002	1840 1840	2000 2500	16800 18600	2x500 2x500

We also supply the spray booths as walls without the 700 mm cabin in front.  
 Special measurements according to your wishes may also be supplied.  
 The quantity of air corresponds to  $v=0.5$  m/sec. in the front area of the spray booth.  
 All our booths have been approved by the authorities.

We reserve the right to change the design without notice.