



Overview electronic magnetic switches in rectangular housings

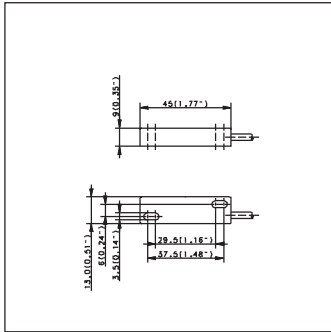
Rectangular housings		MA-80, 8 x 8 x 40 mm CuZn39Pb3, nickel-plated	MA-55, 12 x 12 x 55 mm CuZn39Pb3, nickelé
			
Switching distance (S_{an})		45 mm	17 mm
Mag. sensitivity		0.5 mT	10 mT
Referring magnet (page)		T-62N/S (212)	T-62N/S (212)
Switching function		N.O.	N.O.
PNP	Designation	MEM-80OP2-01.2-2/K	MEM-55NP1-10.4-2/KL
	Part number	637.3280.057	637.1155.058
			MEM-55NP2-10.4-2/KL
			637.1255.059
			MEM-55SP4-03.4-2/KL
			637.3455.060

Rectangular housings		MA-52, 43 x 26 x 13 mm PA 12, noir
		
Switching distance (S_{an})		60 mm
Mag. sensitivity		0.1 mT
Referring magnet (page)		T-62N/S (212)
Switching function		N.C.
PNP	Designation	MEK-52OP1-00.4-2/KL
	Part number	637.3152.075
		MEK-52OP2-00.4-2/KL
		637.3252.068
NPN	Designation	MEK-52ON1-00.4-2/KL
	Part number	637.3552.073
		MEK-52ON2-00.4-2/KL
		637.3652.074

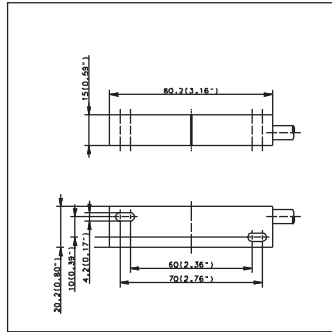
Technical data standard versions electronic magnetic switches

	MA-70	MA-61	MA-62	MA-63	MA-80	MA-55	MA-52
Operating voltage	U_B	10 V...30 V	10 V...30 V	10 V...30 V	10 V...30 V	10 V...30 V	10 V...30 V
Rated operating current	I_B	≤ 200mA	≤ 200mA	≤ 400mA	≤ 400mA	≤ 200mA	≤ 200mA
Switching frequency		≥ 5000 Hz					
Output		short-circuit and overload protection					
Reverse polarity protection		yes					
LED for output function		•	•	•		•	•
Temperature range		-20 °C/+70 °C					
Protection class		IP 65/IP 67					
Cable (2 m)		•	•	•	•	•	•
Plug on request			•	•	•	•	•

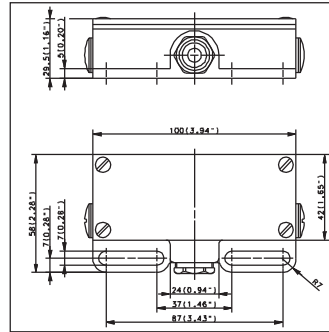
Dimension diagrams magnetic switches



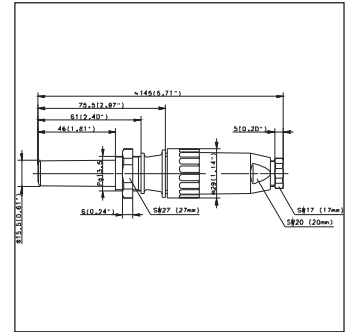
MA-01 Page 202



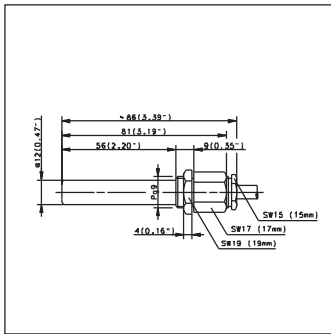
MA-02 Page 202



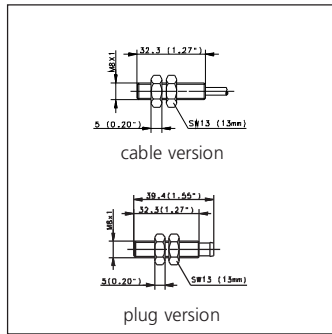
MA-03 Page 203



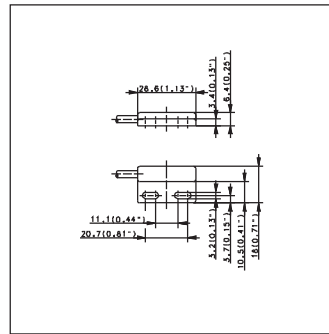
MA-04 Page 199



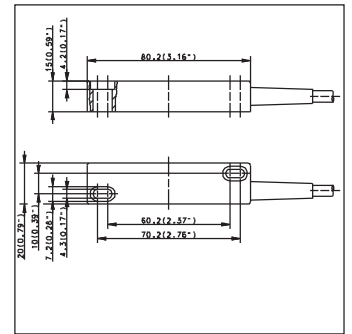
MA-06 Page 199



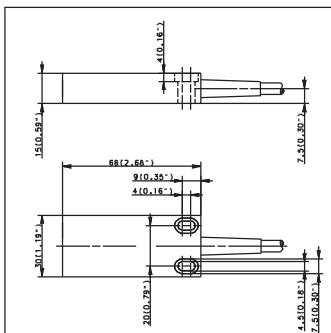
MA-08 Page 200



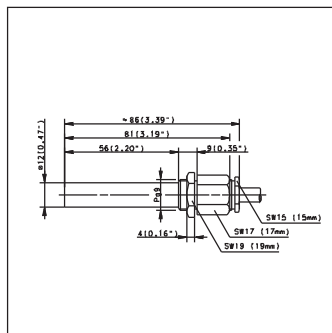
MA-11 Page 202



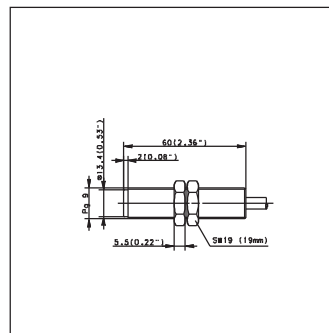
MA-12 Page 202



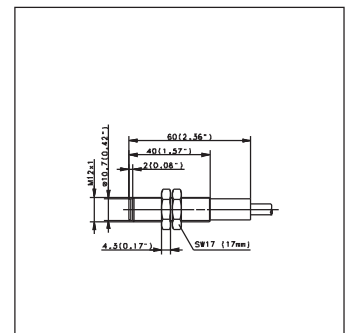
MA-13 Page 202



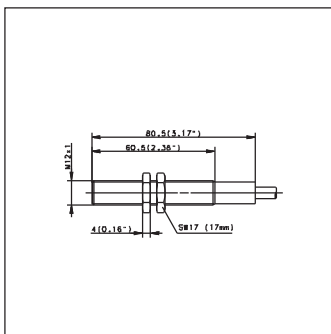
MA-16 Page 199



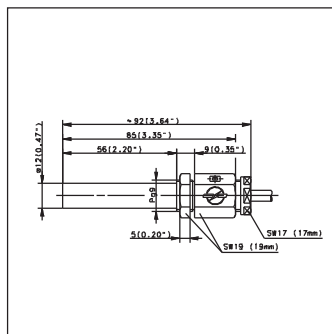
MA-17 Page 200



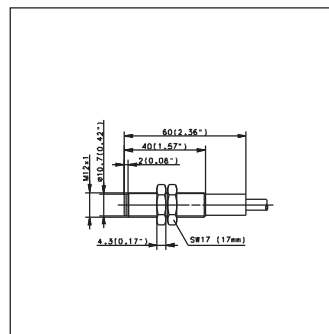
MA-18 Page 200



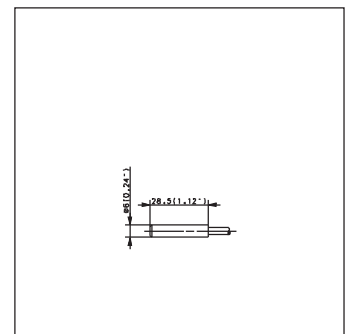
MA-23 Page 200



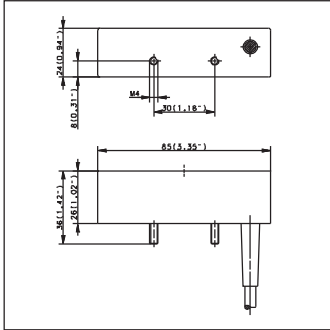
MA-26 Page 199



MA-28 Page 200

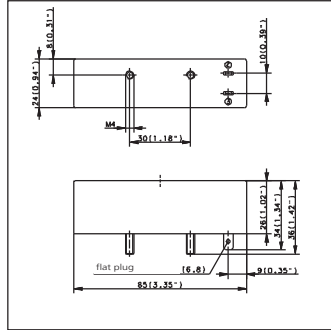


MA-30 Page 199



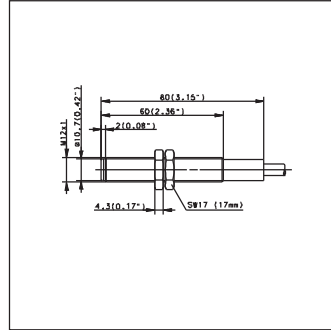
MA-32 (cable)

Page 202



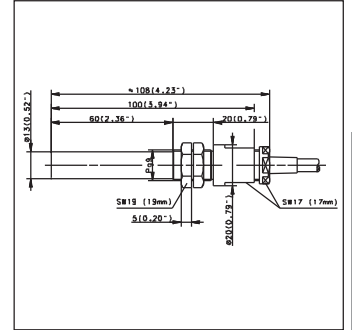
MA-32 (plug)

Page 203



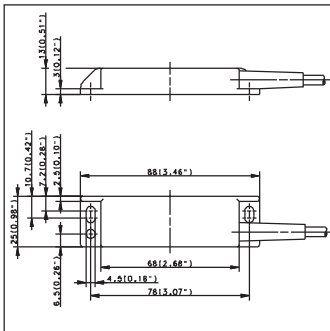
MA-33

Page 200



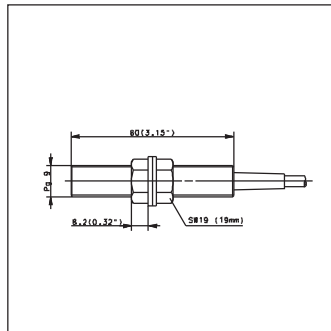
MA-36

Page 199



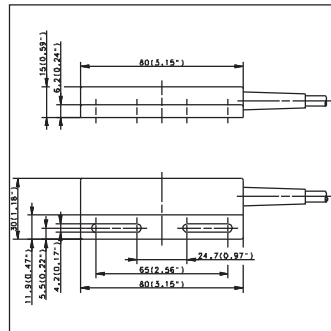
MA-42

Page 203



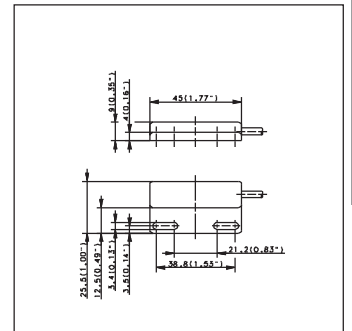
MA-43

Page 200



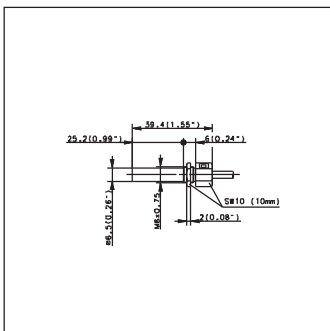
MA-44

Page 202



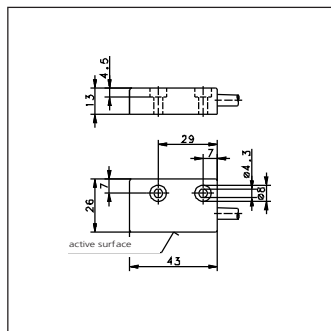
MA-45

Page 202



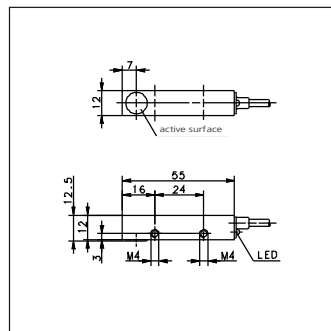
MA-46

Page 199



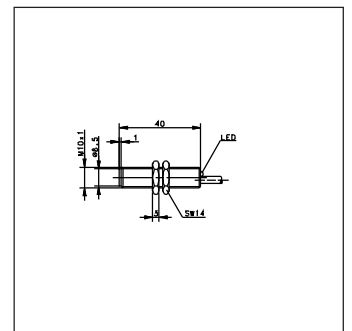
MA-52

Page 207



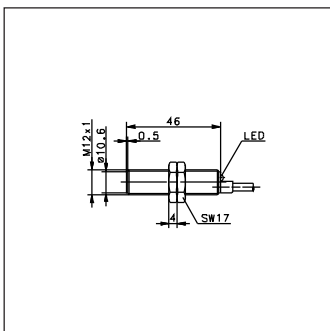
MA-55

Page 207



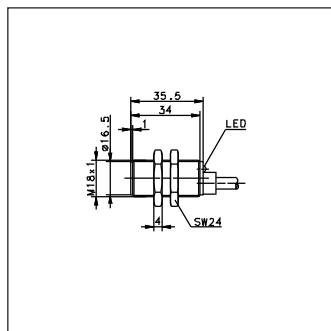
MA-61

Page 206



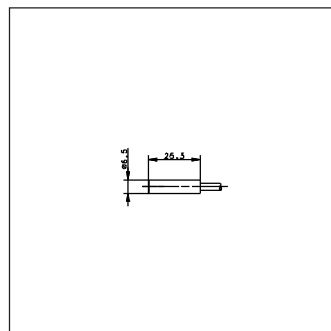
MA-62

Page 206



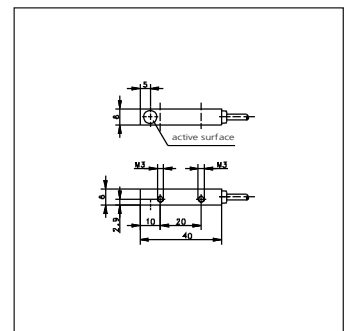
MA-63

Page 206



MA-70

Page 206



MA-80

Page 207